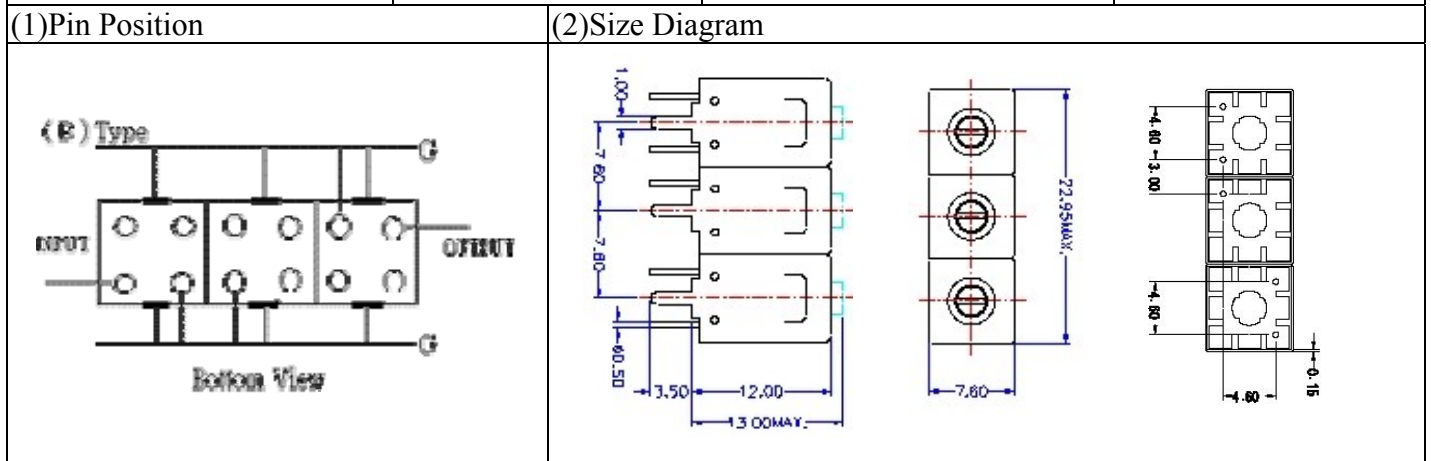


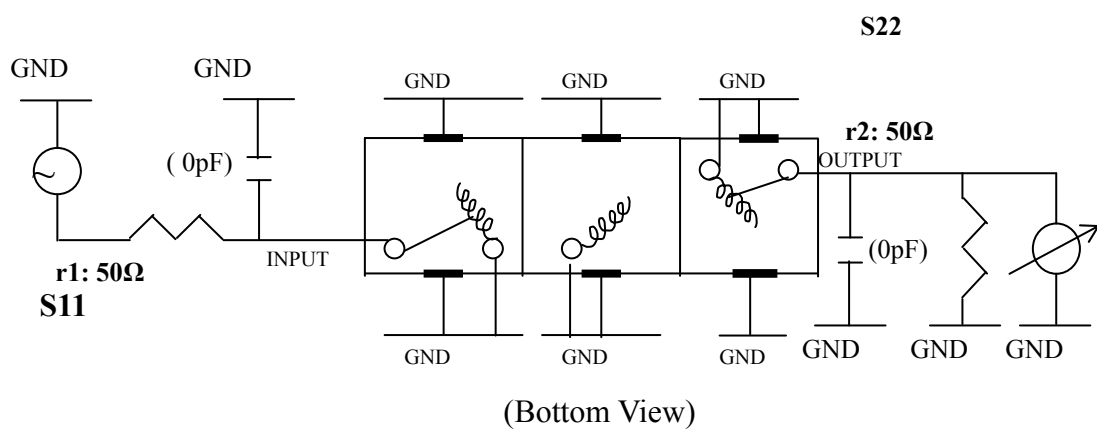
VHF UHF Helical Filter Specification Sheet

Customer Name		Temwell's Part No.	TT67198B1-124M
Approval No. /dated	0806072CD	Customer's Print Name.	108~125M
Work Instruction No.	0806072CD	Date	Jul.07.2008



(3) Electric Characteristic			
Item		Specify	Performance
Center Freq.(Fo) +/- 0.5 %		124 MHz	124 MHz
Tunable Range:		124 ±2 MHz	124±2 MHz
Insertion Loss		Typ. 3 dB	2.26 dB
-3 dB Bandwidth		Typ. 8 MHz	9.0 MHz
Sensitivity (Attenuation)	Fo - (15) MHz	Typ. 29 dBc	32 dBc
	Fo + (15) MHz	Typ. 28 dBc	31 dBc
	Fo - () MHz	Typ. dBc	dBc
	Fo + () MHz	Typ. dBc	dBc
Return Loss		Min. 12 dB	26.9 dB
Ripple		< 1 dB	dB
Impedance		In / Out : 50 Ω	In / Out : 50 Ω
(4) Torque for Tuning Screw		> 100gf · cm	
(5) Temperature Condition:			
Operating Temperature		0°C ~ +60°C	
Storage Temperature		-20°C ~ +70°C	
(6) Input Power		> 1Watt	

(7) Measuring Circuit: ※Easy to match Impedance S11/S22 50Ω by parallel with about(0pF) / (0pF).

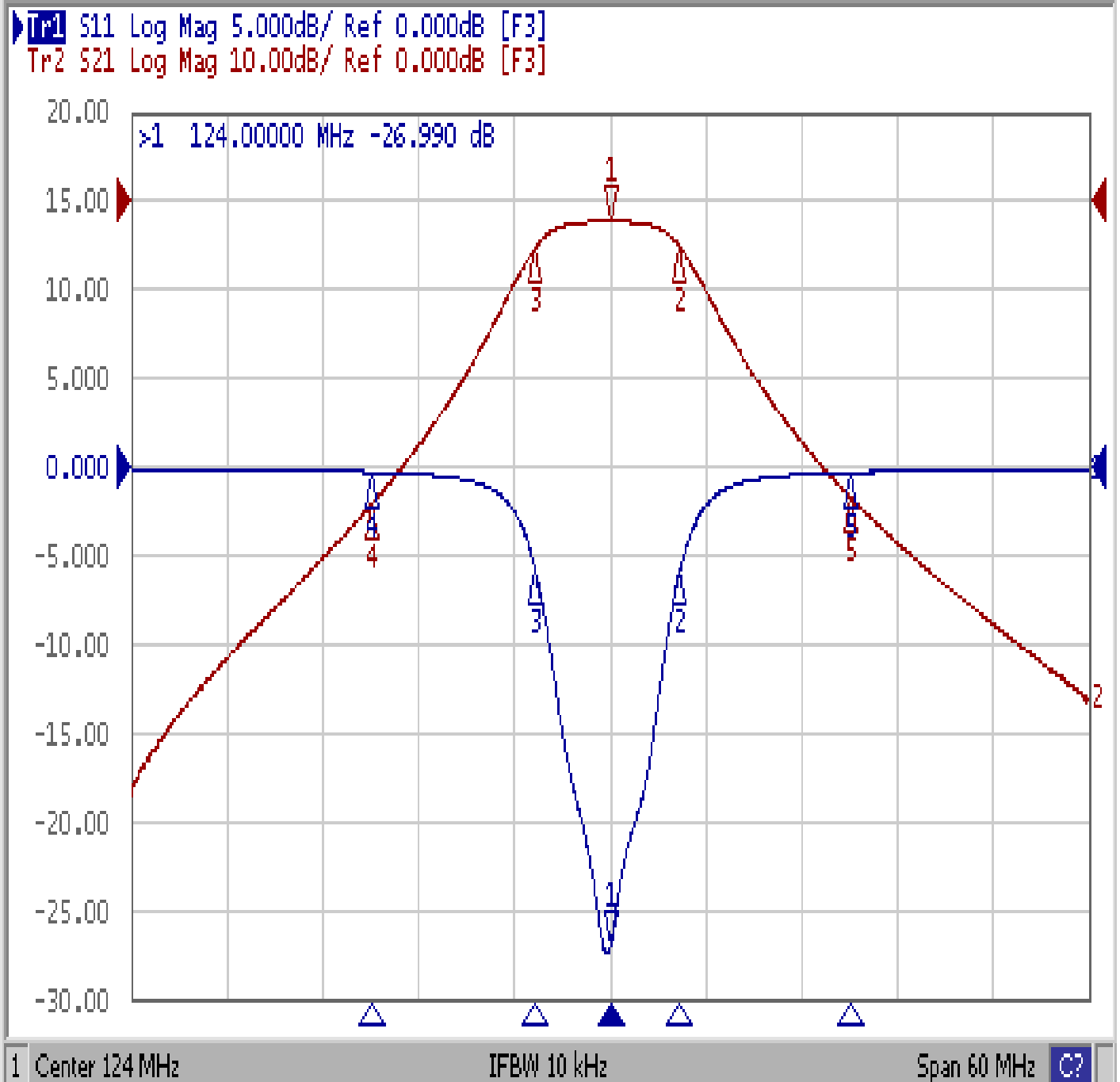


Approval C.Y.Chang	Supervisor C.S.Chang	Designer C.S.Chang	Aperture size 7H3(4*4.65F) (7H024RB6.5)
-----------------------	-------------------------	-----------------------	---

TEMWELL CORPORATION

Performance-TT67198B1-124M

0806072CD



Ch1	Tr1	S11	>1	124.00000	MHz	-26.990	dB
Ch1	Tr1	S11	2	128.37900	MHz	-5.7778	dB
Ch1	Tr1	S11	3	119.30100	MHz	-5.7415	dB
Ch1	Tr1	S11	4	109.00000	MHz	-0.2847	dB
Ch1	Tr1	S11	5	139.00000	MHz	-0.2995	dB
Ch1	Tr2	S21	1	124.00000	MHz	-2.2676	dB
Ch1	Tr2	S21	2	128.37900	MHz	-5.2322	dB
Ch1	Tr2	S21	3	119.30100	MHz	-5.2865	dB
Ch1	Tr2	S21	4	109.00000	MHz	-34.290	dB
Ch1	Tr2	S21	5	139.00000	MHz	-33.322	dB