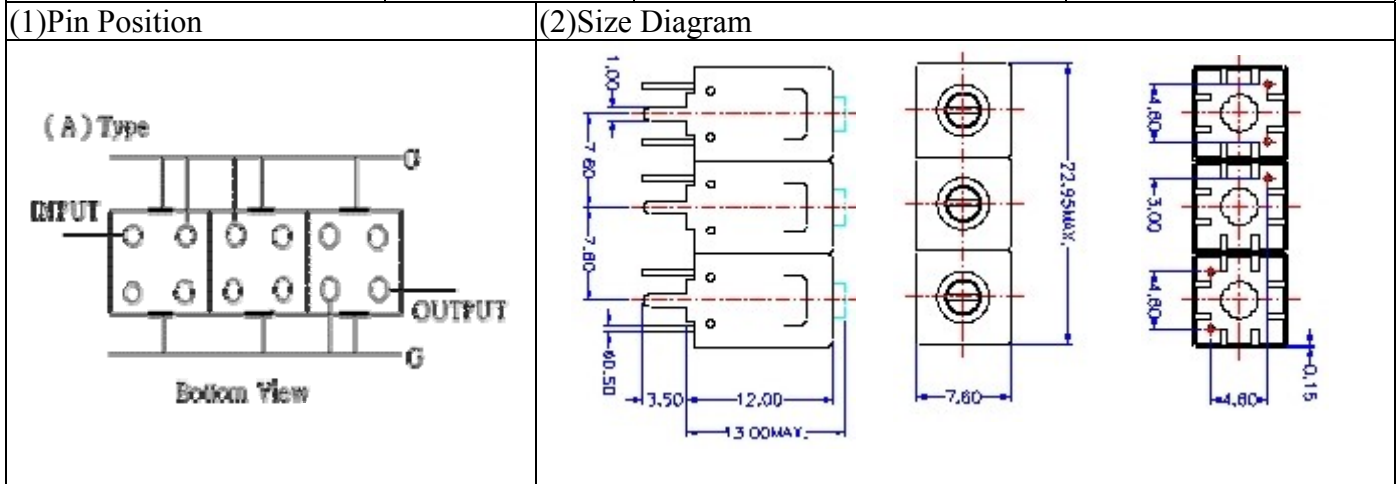


VHF UHF Helical Filter Specification Sheet

Customer Name		Temwell's Part No.	TT67197A-110M
Approval No. /dated	20506041APR	Acceptable Specify Fo. Range	108~125MHz
Work Instruction No.	20506041B	Date	Jun.28.2005



(3)Electric Character

Item	Specify	Performance
Center Freq.(Fo) +/- 0.75 %	110 MHz	110 MHz
Tunable Range	110±2 MHz	110±2 MHz
Insertion Loss	Typ. 4 dB	3.49 dB
-3 dB Bandwidth	Typ. 5 MHz	6.5 MHz
Sensitivity (Attenuation)	Fo - 10 MHz	Typ. 33 dBc
	Fo + 10 MHz	Typ. 25 dBc
	Fo - ()MHz	Typ. dBc
	Fo +()MHz	Typ. dBc
Return Loss	Min. 12 dB	20 dB
Ripple	< 1 dB	dB
Impedance	In / Out : 50 Ω	In / Out : 50 Ω

(4)Torque for Tuning Screw

> 100gf • cm

(5)Temperature Condition:

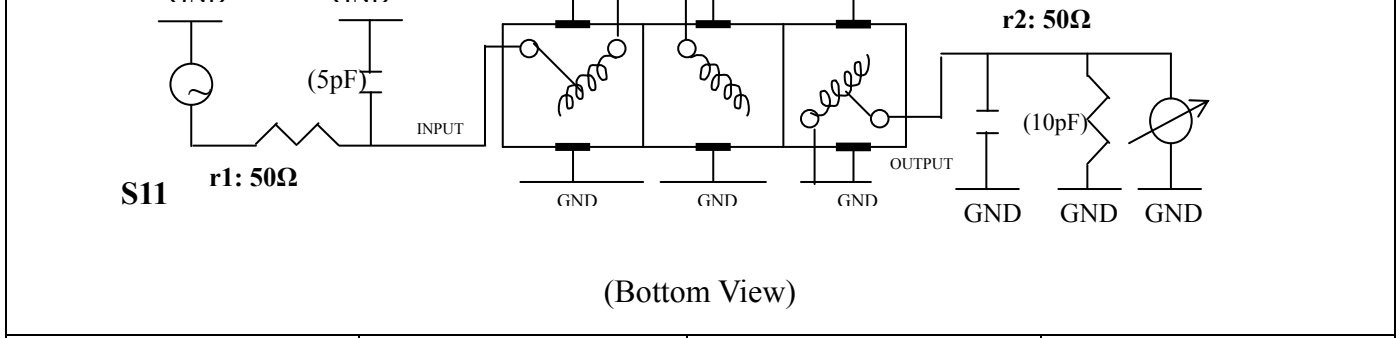
Operating Temperature -30°C ~ +70°C

Storage Temperature -30°C ~ +80°C

(6)Input Power

> 1Watt

(7)Measuring Circuit: ※Easy to match Impedance S11/S22 50Ω/ by parallel with about(0~5 pF) / (0~10 pF).

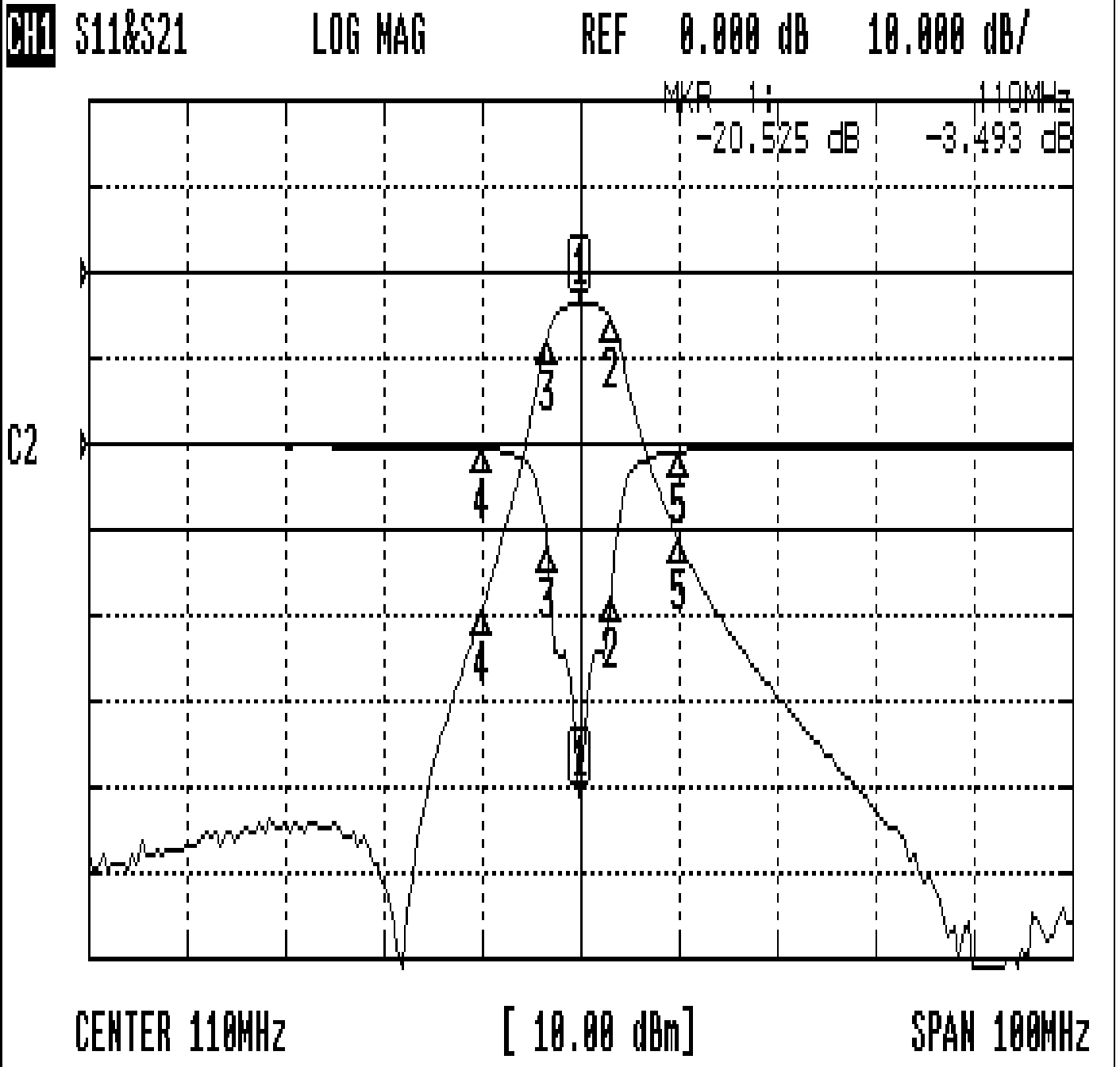


Approval	Supervisor	Designer	Aperture size
C.Y.Chang	C.S.Chang	Enlan	7H3(4*5.5)-(5.65) 7H046LB4 聚 3

TEMWELL CORPORATION

Performance-TT67197A-110M

20506041B



CH1 MARKER LIST

1:	110.000MHz	-20.525 dB	-3.493 dB
2:	113.166MHz	-8.893 dB	-5.587 dB
3:	106.666MHz	-6.297 dB	-7.723 dB
4:	100.000MHz	-0.296 dB	-39.512 dB
5:	120.000MHz	-0.436 dB	-31.128 dB