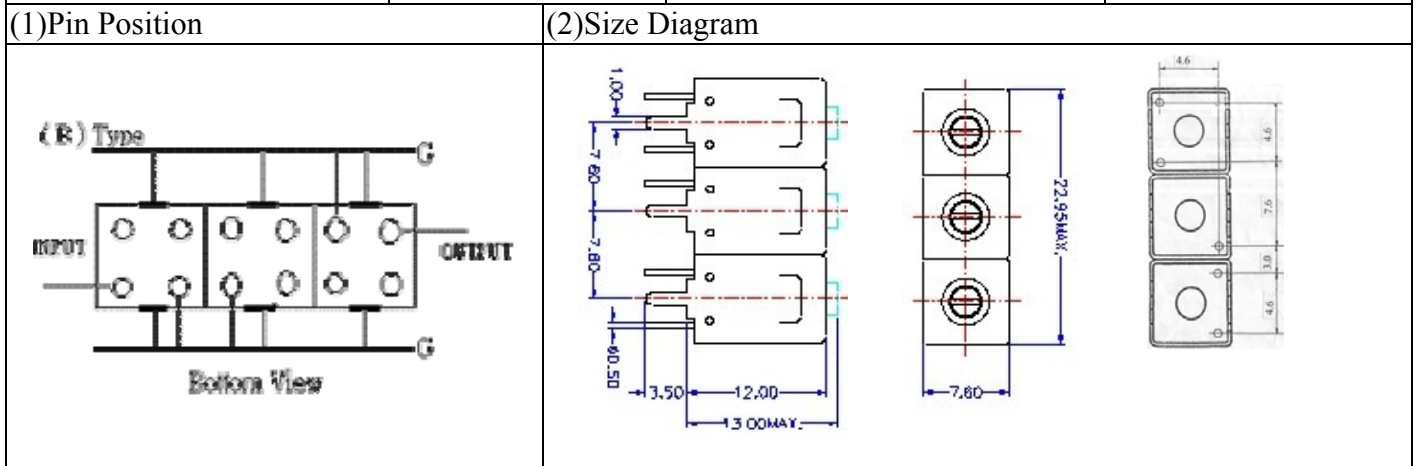


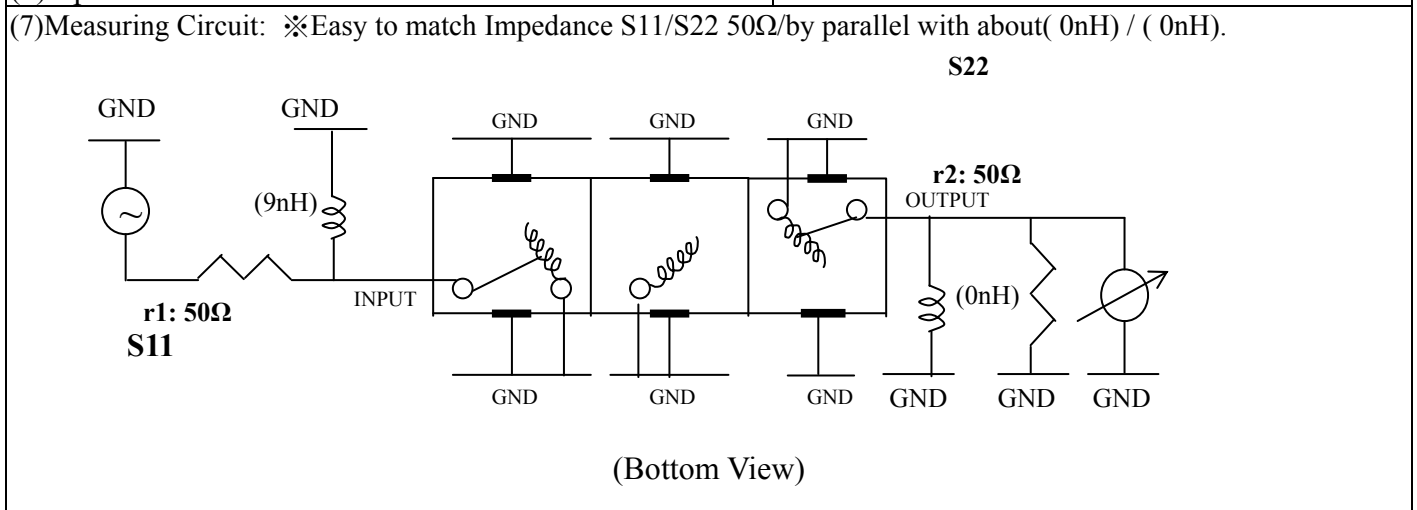
# VHF UHF Helical Filter Specification Sheet

Customer Name		Temwell's Part No.	TT67191B-90M
Approval No. /dated	20506040APR	Acceptable Specify Fo. Range	86~95MHz
Work Instruction No.	20506040B	Date	Jul.04.2005



(3) Electric Character			
Item		Specify	Performance
Center Freq.(Fo) +/- 0.5 %		90 MHz	90 MHz
Tunable Range		90±2 MHz	90±2 MHz
Insertion Loss		Typ. 5 dB	4.33 dB
-3 dB Bandwidth		Typ. 3.0 MHz	3.8 MHz
Sensitivity (Attenuation)	Fo - 10 MHz	Typ. 37 dBc	40 dBc
	Fo + 10 MHz	Typ. 33 dBc	36 dBc
	Fo - ( )MHz	Typ. dBc	dBc
	Fo +( )MHz	Typ. dBc	dBc
Return Loss		Min. 12 dB	20 dB
Ripple		< 1 dB	dB
Impedance		In / Out : 50 Ω	In / Out : 50 Ω
(4) Torque for Tuning Screw		> 100gf · cm	

(5) Temperature Condition:	
Operating Temperature	-30°C ~ +70°C
Storage Temperature	-30°C ~ +80°C
(6) Input Power	> 1Watt

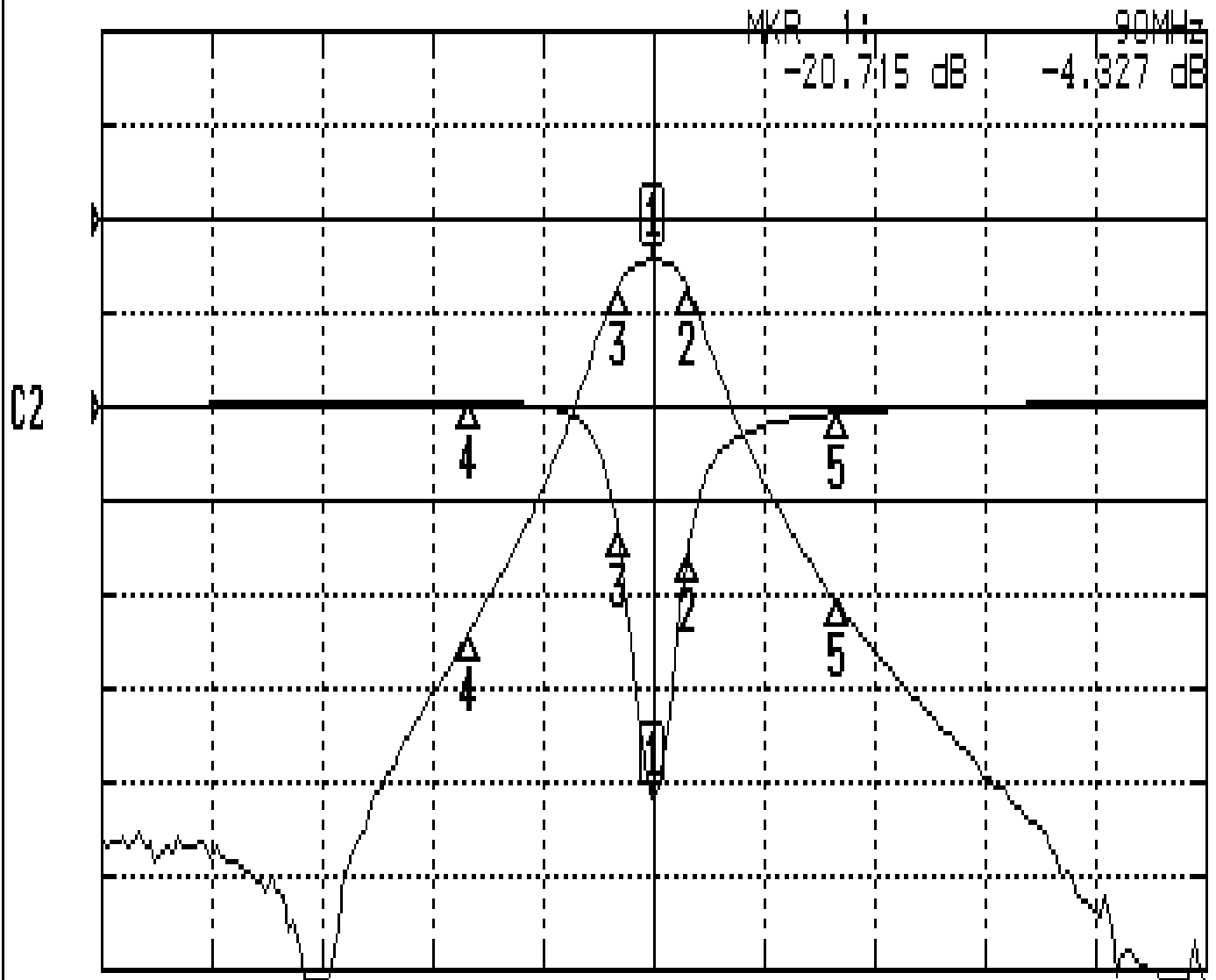


Approval	Supervisor	Designer	Aperture size
C.Y.Chang	C.S.Chang	P.H.Chiang	7H3(4*5.5)(5.60) 7H00LB4
TEMWELL CORPORATION			

# Performance-TT67191B-90M

## 20506040B

CH1 S11&S21 LOG MAG REF 0.000 dB 10.000 dB/



CENTER 90MHz

[ 10.00 dBm ]

SPAN 60MHz

### CH1 MARKER LIST

1:	90.000MHz	-20.722 dB	-4.331 dB
2:	91.900MHz	-7.898 dB	-7.339 dB
3:	88.100MHz	-6.762 dB	-7.308 dB
4:	80.000MHz	0.239 dB	-44.105 dB
5:	100.000MHz	-0.327 dB	-40.789 dB