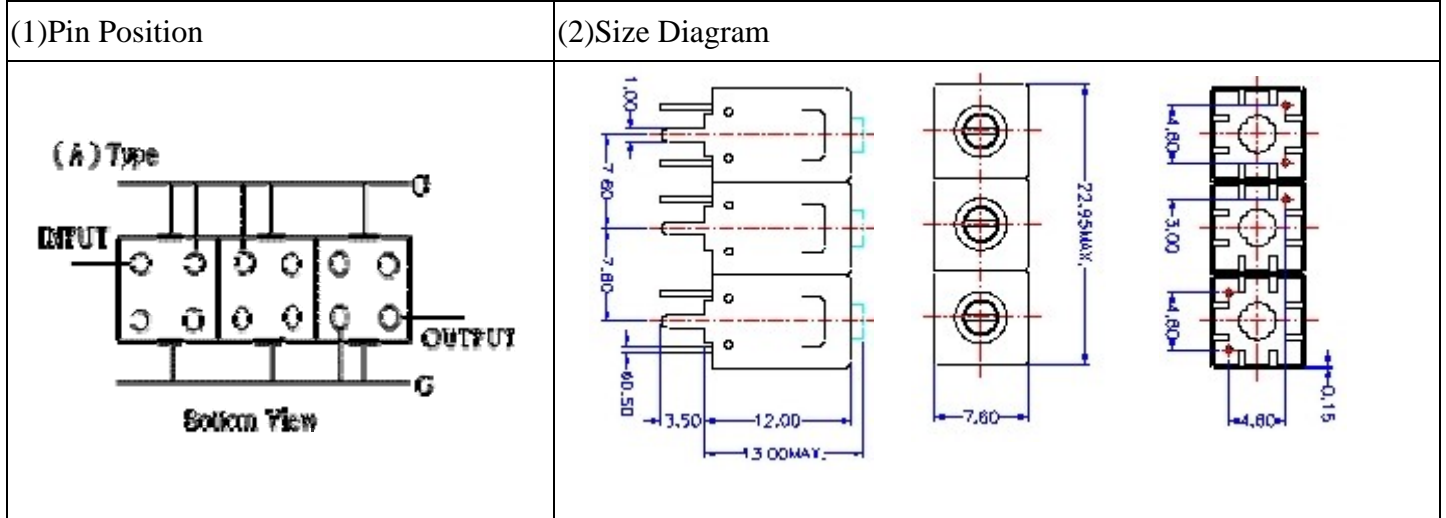


VHF UHF Helical Filter Specification Sheet

Customer Name		Temwell's Part No.	TT67190A-90M
Approval No. /dated	2007081B	Acceptable Specify Fo. Range	86~95MHz
Work Instruction No.	2007081B	Date	



(3) Electric Character

Item	Specify	Performance	
Center Freq.(Fo) +/- 0.5 %	90 MHz	90 MHz	
Tunable Range	90±2 MHz	90±2 MHz	
Insertion Loss	Typ. 3 dB	2.4 dB	
-3 dB Bandwidth	Typ. 5 MHz	6.3 MHz	
Sensitivity (Attenuation)	Fo -20 MHz	Typ. 60 dBc	62 dBc
	Fo +20 MHz	Typ. 40 dBc	42 dBc
	Fo - ()MHz	Typ. dBc	dBc
	Fo +()MHz	Typ. dBc	dBc
Return Loss	Min. 12 dB	28 dB	
Ripple	< 1 dB	dB	
Impedance	In / Out : 50 Ω	In / Out : 50 Ω	

(4) Torque for Tuning Screw > 100gf • cm

(5) Temperature Condition:

Operating Temperature	0°C ~ +60°C
Storage Temperature	-20°C ~ +70°C

(6) Input Power > 1Watt

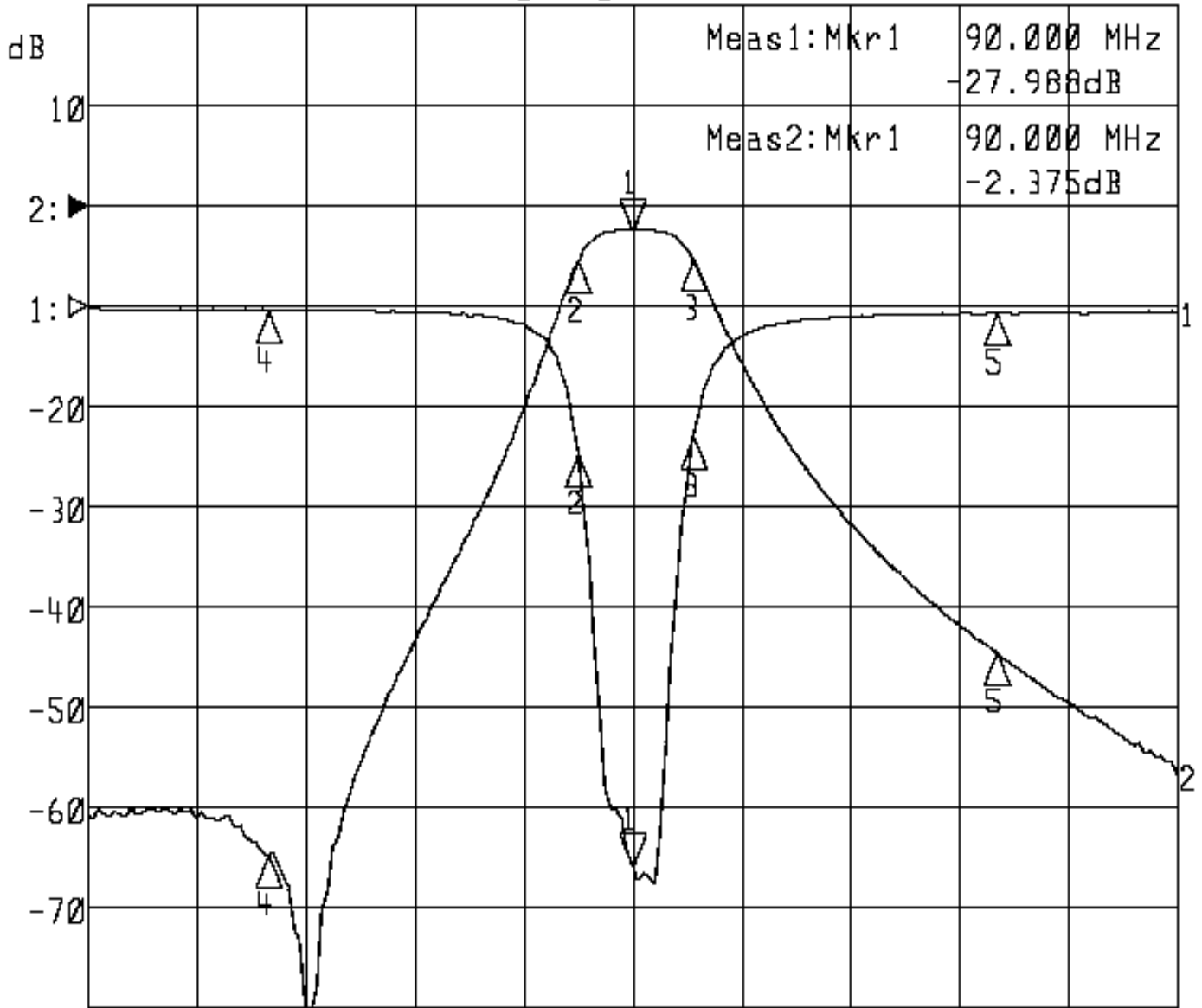
Approval	Supervisor	Designer	Aperture size
C.Y.Chang	C.S.Chang	C.S.Chang	7H3S(4*7.5)F 7H00LB4

TEMWELL CORPORATION

Performance-TT67190A-90M

2007081B

▷1:S11 Refl Port1 Log Mag 5.0 dB/ Ref 0.00 dB C
▶2:S21 Fwd Trans Log Mag 10.0 dB/ Ref 0.00 dB C



Center 90.000 MHz

Span 60.000 MHz

1:Mkr (MHz)	dB	2:Mkr (MHz)	dB
1> 90.0000	-27.988	1> 90.0000	-2.375
2: 87.0000	-7.331	2: 87.0000	-5.461
3: 93.3400	-6.446	3: 93.3400	-5.345
4: 70.0000	-0.252	4: 70.0000	-64.672
5: 110.0000	-0.356	5: 110.0000	-44.542