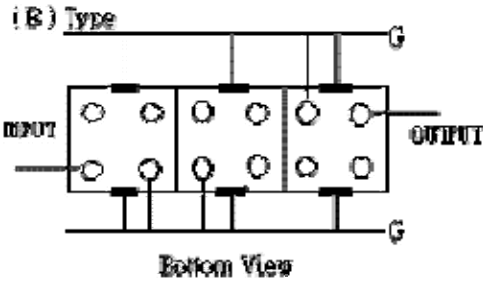
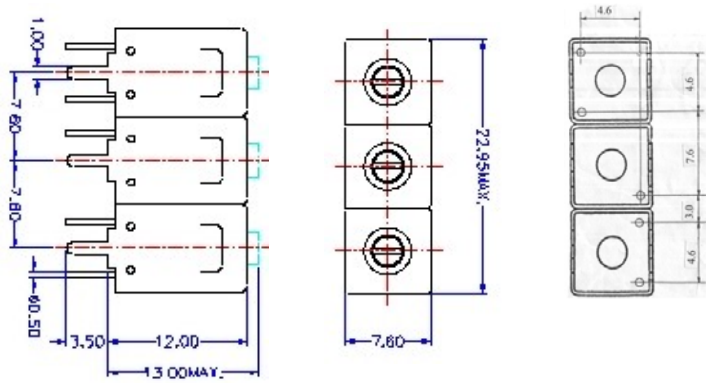


VHF UHF Helical Filter Specification Sheet

Customer Name		Temwell's Part No.	TT67189B-300M
Approval No. /dated	20305038DC	Acceptable Specify Fo. Range	276~310MHz
Work Instruction No.	20305038DC	Date	

(1) Pin Position	(2) Size Diagram
 <p style="text-align: center;">(B) Type Bottom View</p>	

(3) Electric Character

Item	Specify	Performance
Center Freq.(Fo) +/- 0.5 %	300 MHz	300 MHz
Tunable Range	300±4 MHz	300±4 MHz
Insertion Loss	Typ. 3.0 dB	2.2 dB
-3 dB Bandwidth	Typ. 17 MHz	19 MHz
Sensitivity (Attenuation)	Fo -50 MHz	Typ. 47 dBc
	Fo +50 MHz	Typ. 36 dBc
	Fo - ()MHz	Typ. dBc
	Fo +()MHz	Typ. dBc
Return Loss	Min. 12 dB	31 dB
Ripple	< 1 dB	dB
Impedance	In / Out : 50 Ω	In / Out : 50 Ω
(4) Torque for Tuning Screw	> 100gf · cm	

(5) Temperature Condition:

Operating Temperature	0°C ~ +60°C
Storage Temperature	-20°C ~ +70°C

(6) Input Power

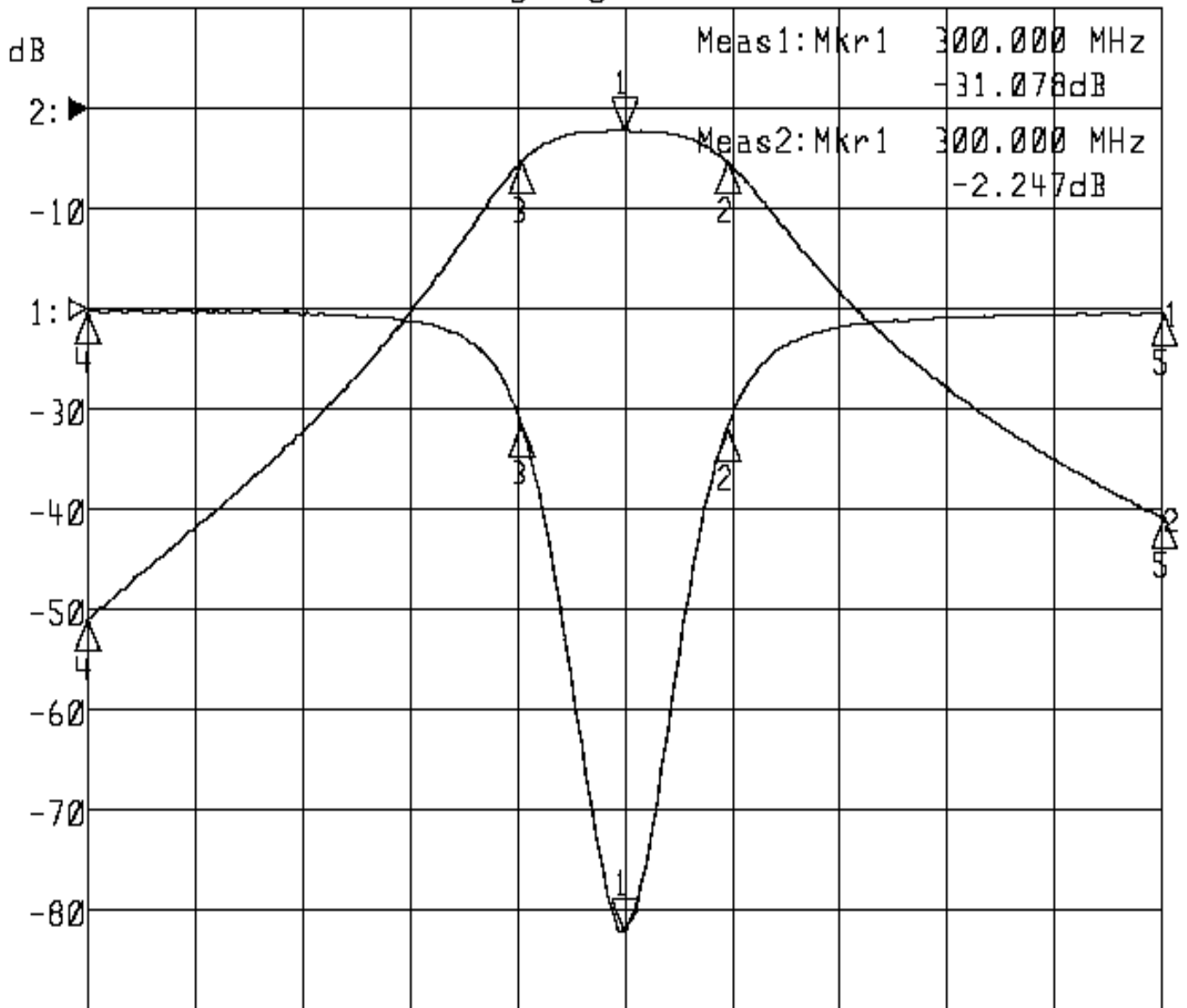
Approval	Supervisor	Designer	Aperture size
C.Y.Chang	C.S.Chang	C.S.Chang	7H3S(4*6.6)F 7H00LB4

TEMWELL CORPORATION

Performance-TT67189B-300M

20305038DC

►1:S11 Refl Port1 Log Mag 5.0 dB/ Ref 0.00 dB C
►2:S21 Fwd Trans Log Mag 10.0 dB/ Ref 0.00 dB C



Center 300.000 MHz

Span 100.000 MHz

1: Mkr (MHz)	dB	2: Mkr (MHz)	dB
1> 300.0000	-31.078	1> 300.0000	-2.247
2: 309.5333	-5.948	2: 309.5333	-5.282
3: 290.4333	-5.758	3: 290.4333	-5.249
4: 250.0000	-0.182	4: 250.0000	-51.097
5: 350.0000	-0.235	5: 350.0000	-40.804