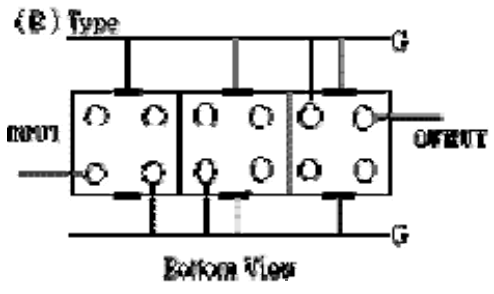
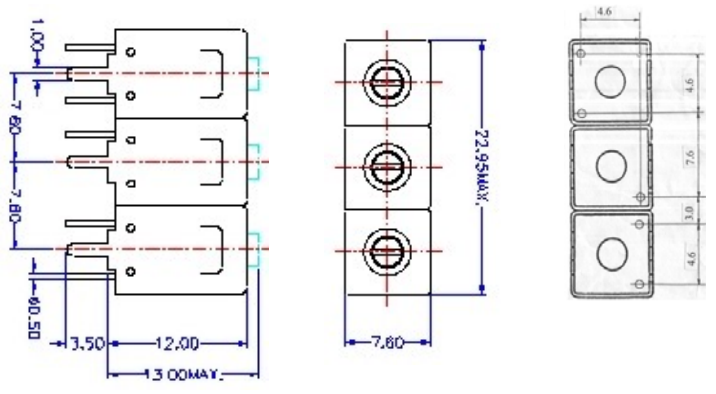


VHF UHF Helical Filter Specification Sheet

Customer Name		Temwell's Part No.	TT67187B-260M
Approval No. /dated	20305034DC	Acceptable Specify Fo. Range	246~275MHz
Work Instruction No.	20305034DC	Date	

<p>(1) Pin Position</p> 	<p>(2) Size Diagram</p> 
---	--

(3) Electric Character

Item	Specify	Performance	
Center Freq.(Fo) +/- 0.5 %	260 MHz	260 MHz	
Tunable Range	260±4 MHz	260±8 MHz	
Insertion Loss	Typ. 3.5 dB	2.1 dB	
-3 dB Bandwidth	Typ. 17 MHz	19 MHz	
Sensitivity (Attenuation)	Fo -50 MHz	Typ. 55 dBc	57 dBc
	Fo +50 MHz	Typ. 37 dBc	39 dBc
	Fo - ()MHz	Typ. dBc	dBc
	Fo +()MHz	Typ. dBc	dBc
Return Loss	Min. 12 dB	31 dB	
Ripple	< 1 dB	dB	
Impedance	In / Out : 50 Ω	In / Out : 50 Ω	

(4) Torque for Tuning Screw > 100gf • cm

(5) Temperature Condition:

Operating Temperature	0°C ~ +60°C
Storage Temperature	-20°C ~ +40°C

(6) Input Power > 1Watt

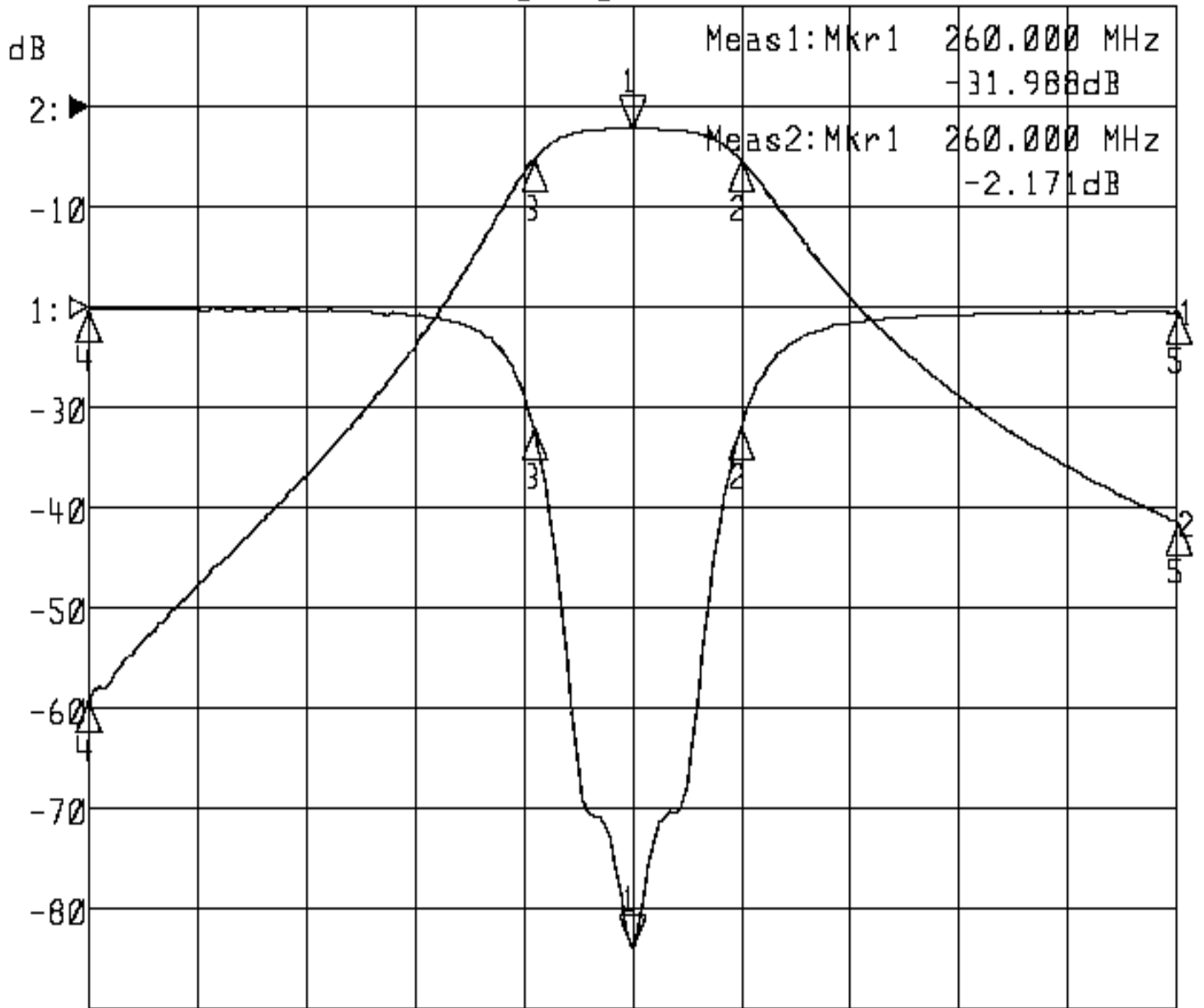
Approval	Supervisor	Designer	Aperture size
C. Y.Chang	C.S.Chang	C.S.Chang	7H3S(4*7.5)F 7H00LB4

TEMWELL CORPORATION

Performance-TT67187B-260M

20305034DC

▶1:S11 Refl Port1 Log Mag 5.0 dB/ Ref 0.00 dB C
▶2:S21 Fwd Trans Log Mag 10.0 dB/ Ref 0.00 dB C



Center 260.000 MHz

Span 100.000 MHz

1:Mkr (MHz)	dB	2:Mkr (MHz)	dB
1> 260.0000	-31.988	1> 260.0000	-2.171
2: 269.9667	-5.957	2: 269.9667	-5.263
3: 250.9233	-5.938	3: 250.9233	-5.290
4: 210.0667	-0.078	4: 210.0667	-59.345
5: 310.0000	-0.193	5: 310.0000	-41.403