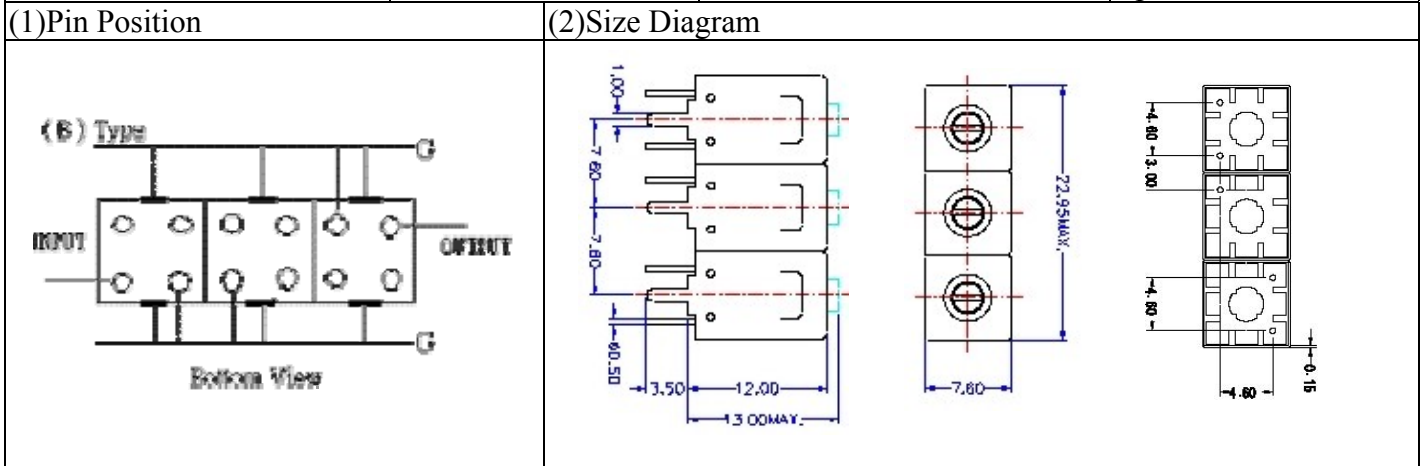


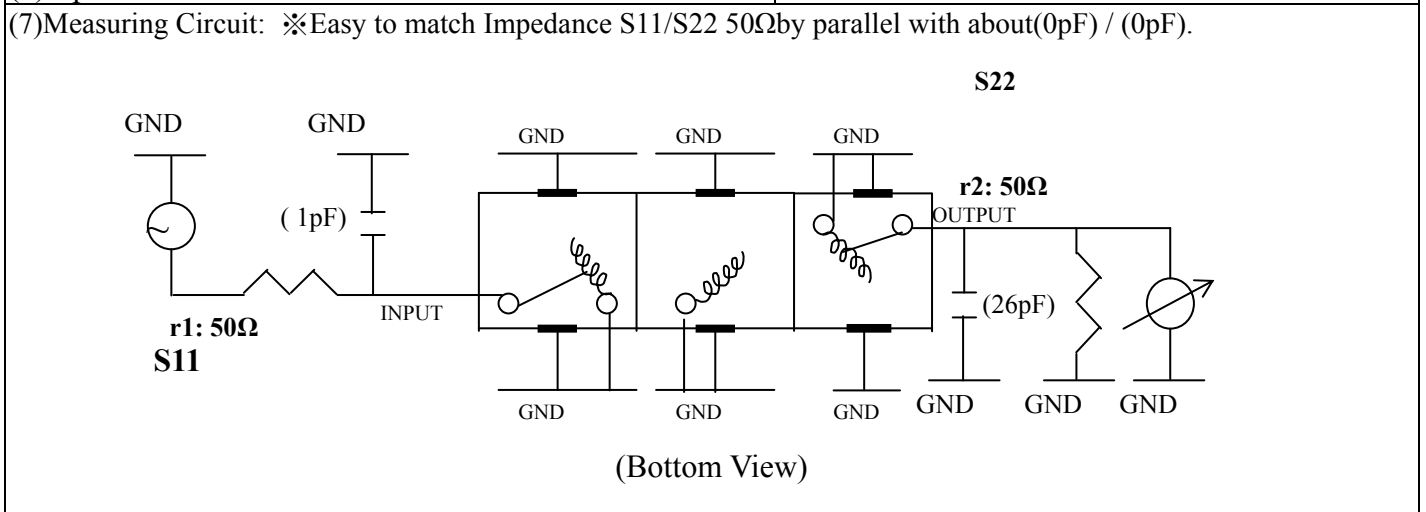
VHF UHF Helical Filter Specification Sheet

Customer Name		Temwell's Part No.	TT67185B-220M
Approval No. /dated	1004049APR	Temwell's Print name.	67185B 220M
Work Instruction No.	201004049CD	Date	Apr.14.2010



(3) Electric Characteristic			
Item		Specify	Performance
Center Freq.(Fo) +/- 0.5 %		220 MHz	220 MHz
Insertion Loss		Typ. 3.0 dB	1.37 dB
-3 dB Bandwidth		Typ. 18 MHz	19.0 MHz
Sensitivity (Attenuation)	Fo - (50) MHz	Typ. 65 dBc	74 dBc
	Fo + (50) MHz	Typ. 40 dBc	43 dBc
	Fo - () MHz	Typ. dBc	dBc
	Fo + () MHz	Typ. dBc	dBc
Return Loss		Min. 12 dB	21.1 dB
Ripple		< 1 dB	dB
Impedance		In / Out : 50 Ω	In / Out : 50 Ω
(4) Torque for Tuning Screw		> 60gf • cm	

(5) Temperature Condition:	
Operating Temperature	0°C ~ +60°C
Storage Temperature	-20°C ~ +70°C
(6) Input Power	> 1 Watt



Approval C.Y.Chang	Supervisor C.K.Chang	Designer P.H.Chiang	Aperture size 7H3S(4*6.5)(6.57) 7H046RB5.5
-----------------------	-------------------------	------------------------	--

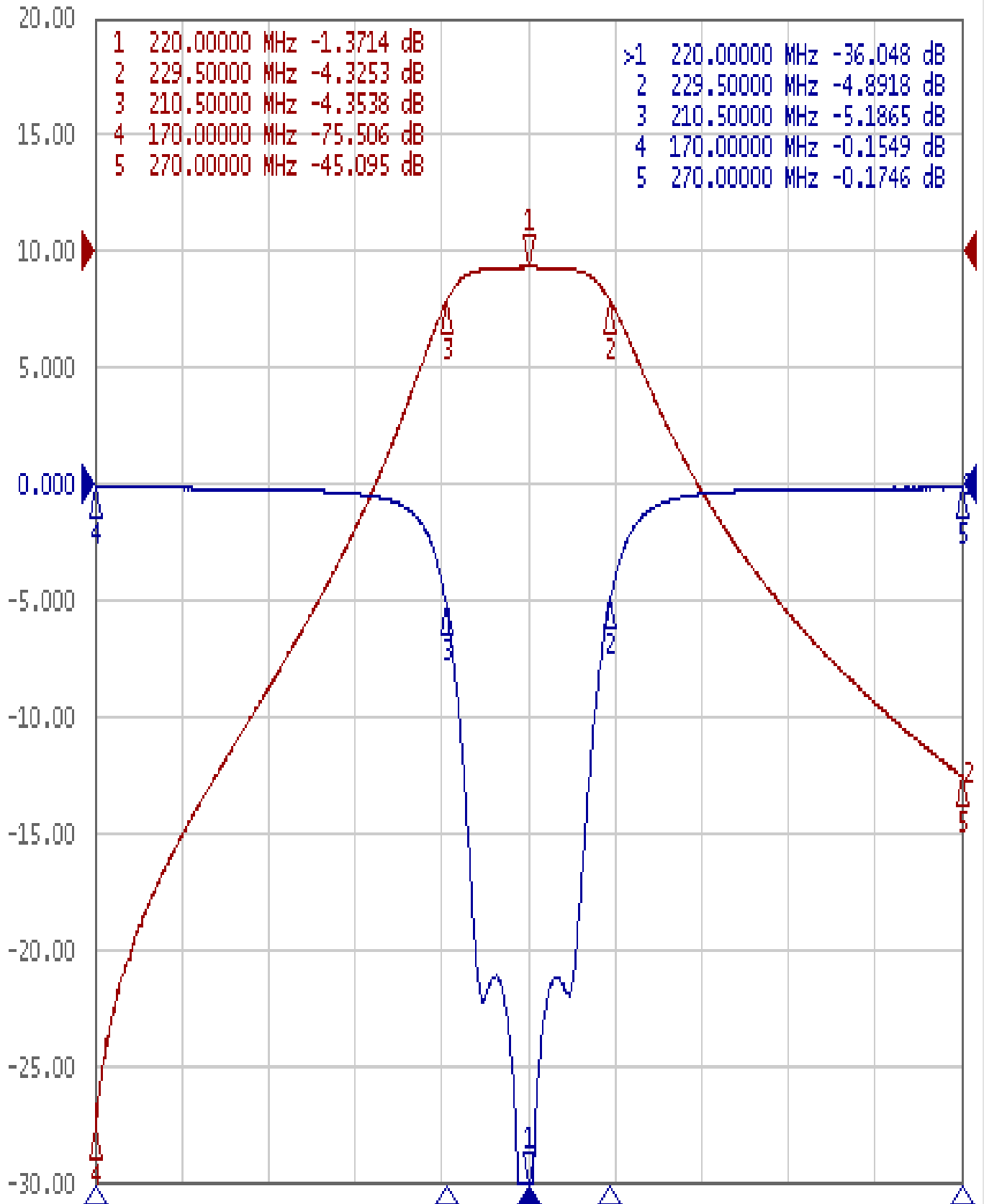
TEMWELL CORPORATION

Performance-TT67185B-220M

201004049CD

Tr1 S11 Log Mag 5.000dB/ Ref 0.000dB [F2]

Tr2 S21 Log Mag 10.00dB/ Ref 0.000dB [F2]



1 Center 220 MHz

IFBW 10 kHz

Span 100 MHz Cor !