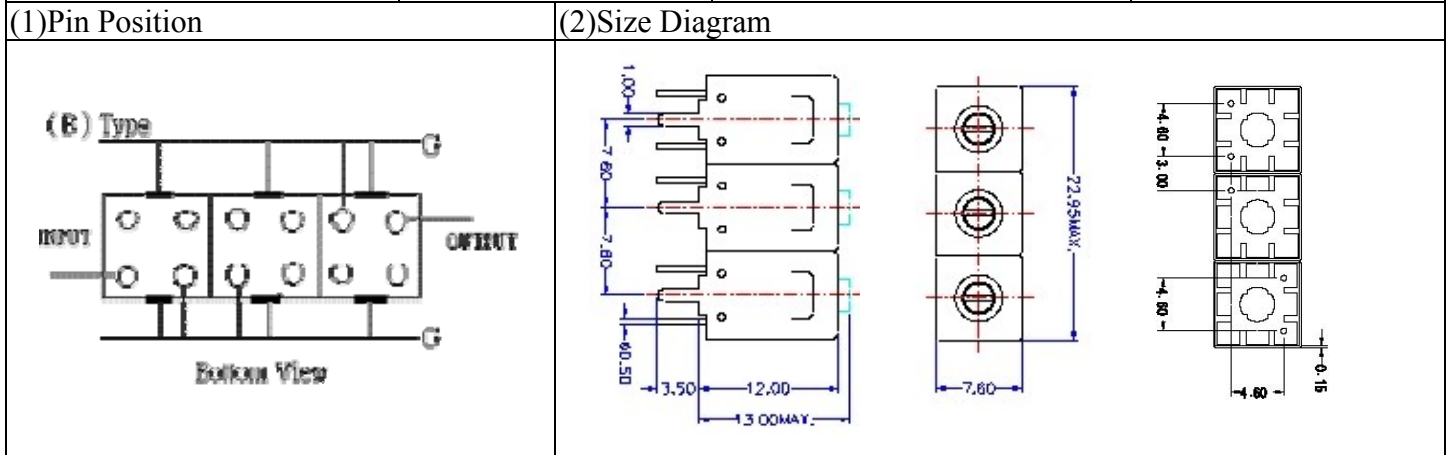


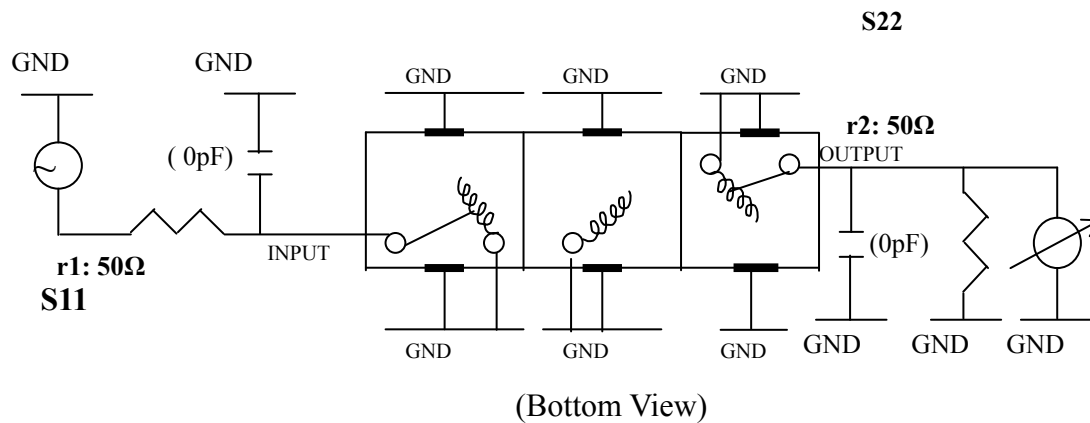
VHF UHF Helical Filter Specification Sheet

Customer Name		Temwell's Part No.	TT67183B-235M
Approval No. /dated	0901067CD	Customer's Print Name.	67183B 235M
Work Instruction No.	200901067CD	Date	Feb.02.2009



(3) Electric Characteristic			
Item		Specify	Performance
Center Freq.(Fo) +/- 0.5 %		235 MHz	235 MHz
Tunable Range:		235±4 MHz	235±4 MHz
Insertion Loss		Typ. 2.5 dB	1.33 dB
-3 dB Bandwidth		Typ. 16 MHz	18.5 MHz
Sensitivity (Attenuation)	Fo - 50 MHz	Typ. 60 dBc	64 dBc
	Fo + 50 MHz	Typ. 37 dBc	40 dBc
	Fo - ()MHz	Typ. dBc	dBc
	Fo +()MHz	Typ. dBc	dBc
Return Loss		Min. 12 dB	33.4 dB
Ripple		< 1 dB	dB
Impedance		In / Out : 50 Ω	In / Out : 50 Ω
(4) Torque for Tuning Screw			
		> 100gf · cm	
(5) Temperature Condition:			
Operating Temperature		0°C ~ +60°C	
Storage Temperature		-20°C ~ +70°C	
(6) Input Power			
		> 1Watt	

(7) Measuring Circuit: ※Easy to match Impedance S11/S22 50Ω by parallel with about(0pF) / (0pF).

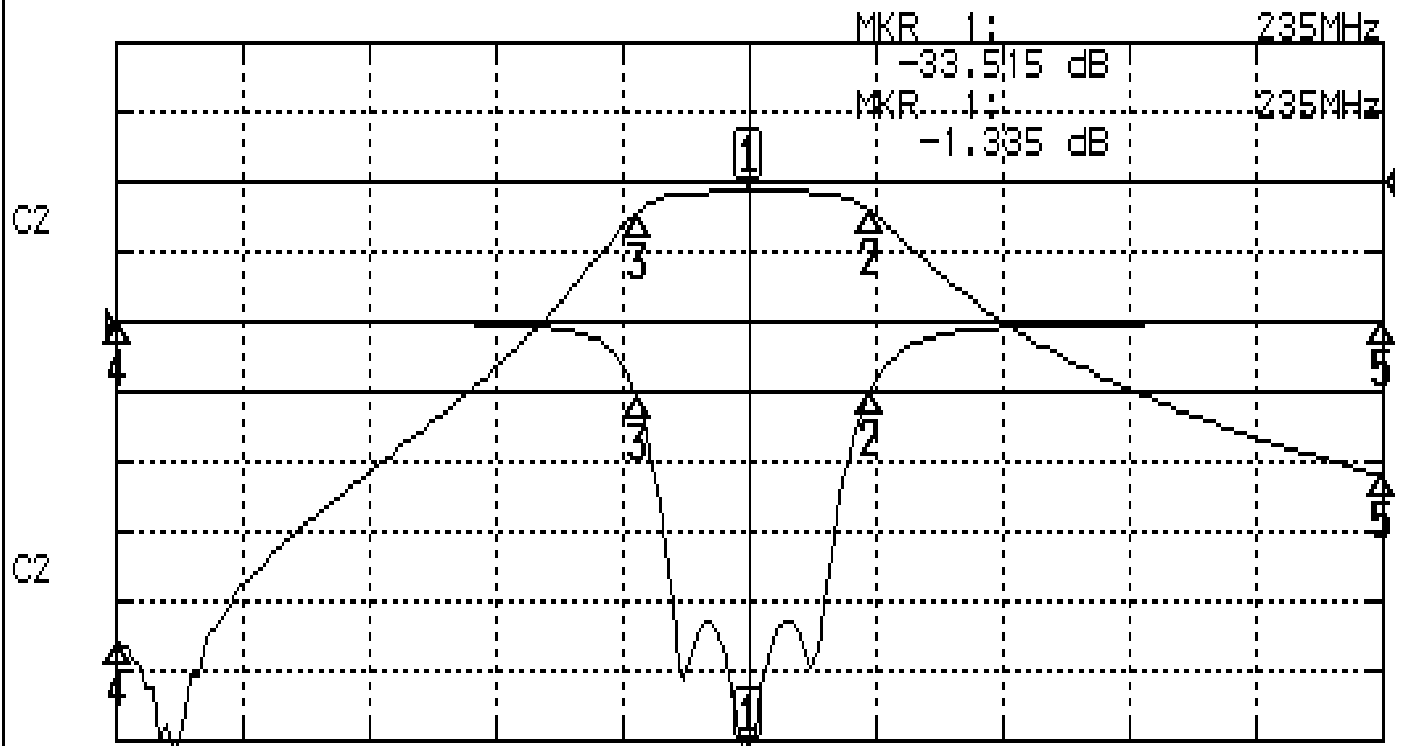


Approval C.Y.Chang	Supervisor C.K.Chang	Designer C.H.Yeh	Aperture size 7H3S(4*8.0)(8.06) (7H024RB4)
TEMWELL CORPORATION			

Performance-TT67183B-235M

200901067CD

CH1 S11 LOG MAG REF 0.000 dB 5.000 dB/
CH2 S21 LOG MAG REF 0.000 dB 10.000 dB/



CENTER 235MHz

[10.00 dBm]

SPAN 100MHz

CH1 MARKER LIST

1	235.000MHz	-33.497 dB
2	244.666MHz	-14.889 dB
3	226.166MHz	-15.392 dB
4	185.000MHz	-10.028 dB
5	285.000MHz	-10.035 dB

CH2 MARKER LIST

1	235.000MHz	-1.335 dB
2	244.666MHz	-14.006 dB
3	226.166MHz	-14.006 dB
4	185.000MHz	-10.128 dB
5	285.000MHz	-42.013 dB