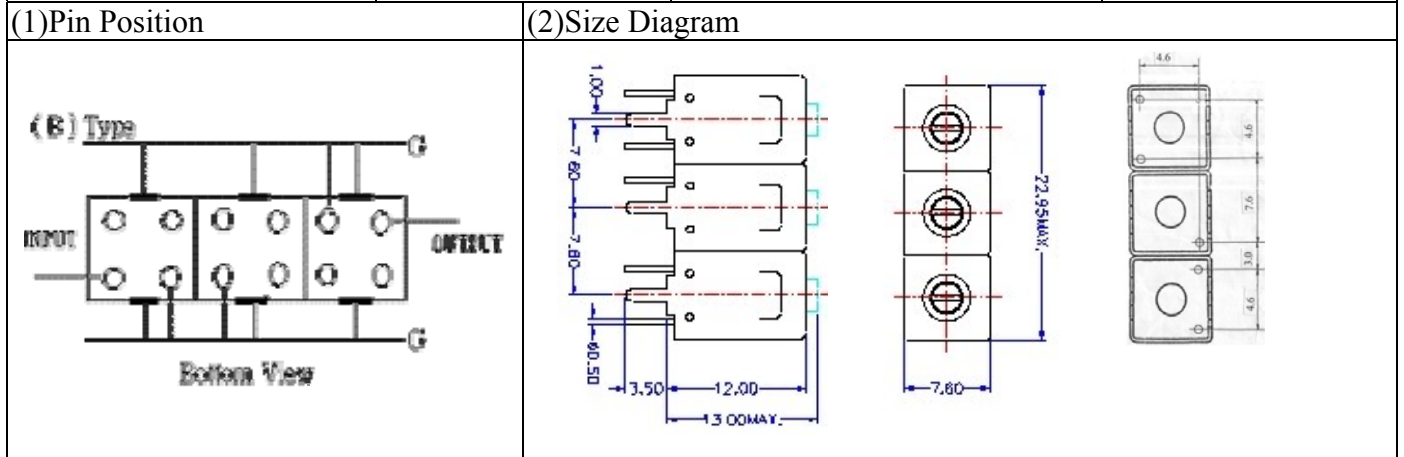


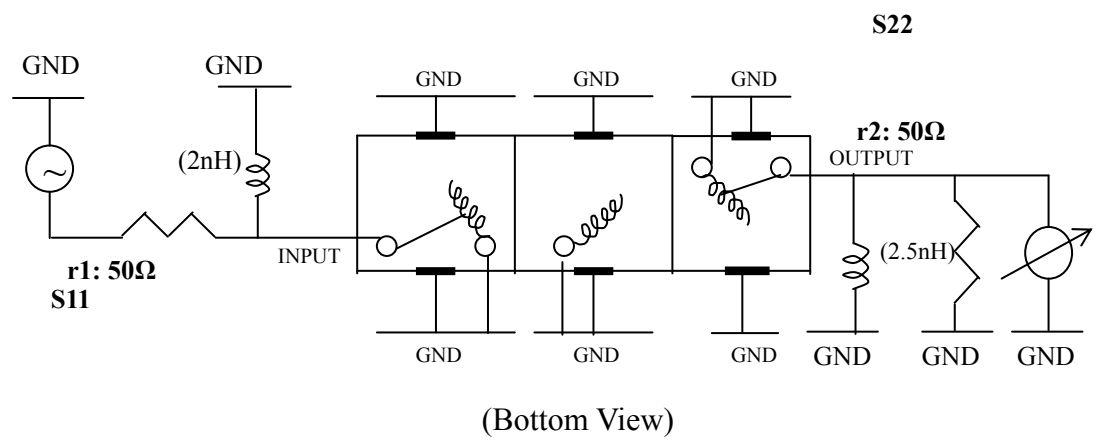
VHF UHF Helical Filter Specification Sheet

Customer Name		Temwell's Part No.	TT67180B-365M
Approval No. /dated	20504008B	Acceptable Specify Fo. Range	356~400MHz
Work Instruction No.	20504008B	Date	Apr.13.2005



(3) Electric Characteristic			
Item		Specify	Performance
Center Freq.(Fo) +/- 0.5 %		365 MHz	365 MHz
Tunable Range:		365±4 MHz	365±4 MHz
Insertion Loss		Typ. 3.0 dB	2.08 dB
-3 dB Bandwidth		Typ. 15 MHz	17 MHz
Sensitivity (Attenuation)	Fo - 50 MHz	Typ. 55 dBc	59 dBc
	Fo + 50 MHz	Typ. 40 dBc	44 dBc
	Fo - ()MHz	Typ. dBc	dBc
	Fo +()MHz	Typ. dBc	dBc
Return Loss		Min. 12 dB	20.3 dB
Ripple		< 1 dB	dB
Impedance		In / Out : 50 Ω	In / Out : 50 Ω
(4) Torque for Tuning Screw		> 100gf · cm	
(5) Temperature Condition:			
Operating Temperature		0°C ~ +60°C	
Storage Temperature		-20°C ~ +70°C	
(6) Input Power		> 1Watt	

(7) Measuring Circuit: ※Easy to match Impedance S11/S22 50Ω/ by parallel with about(0~2 nH) / (0~3 nH).

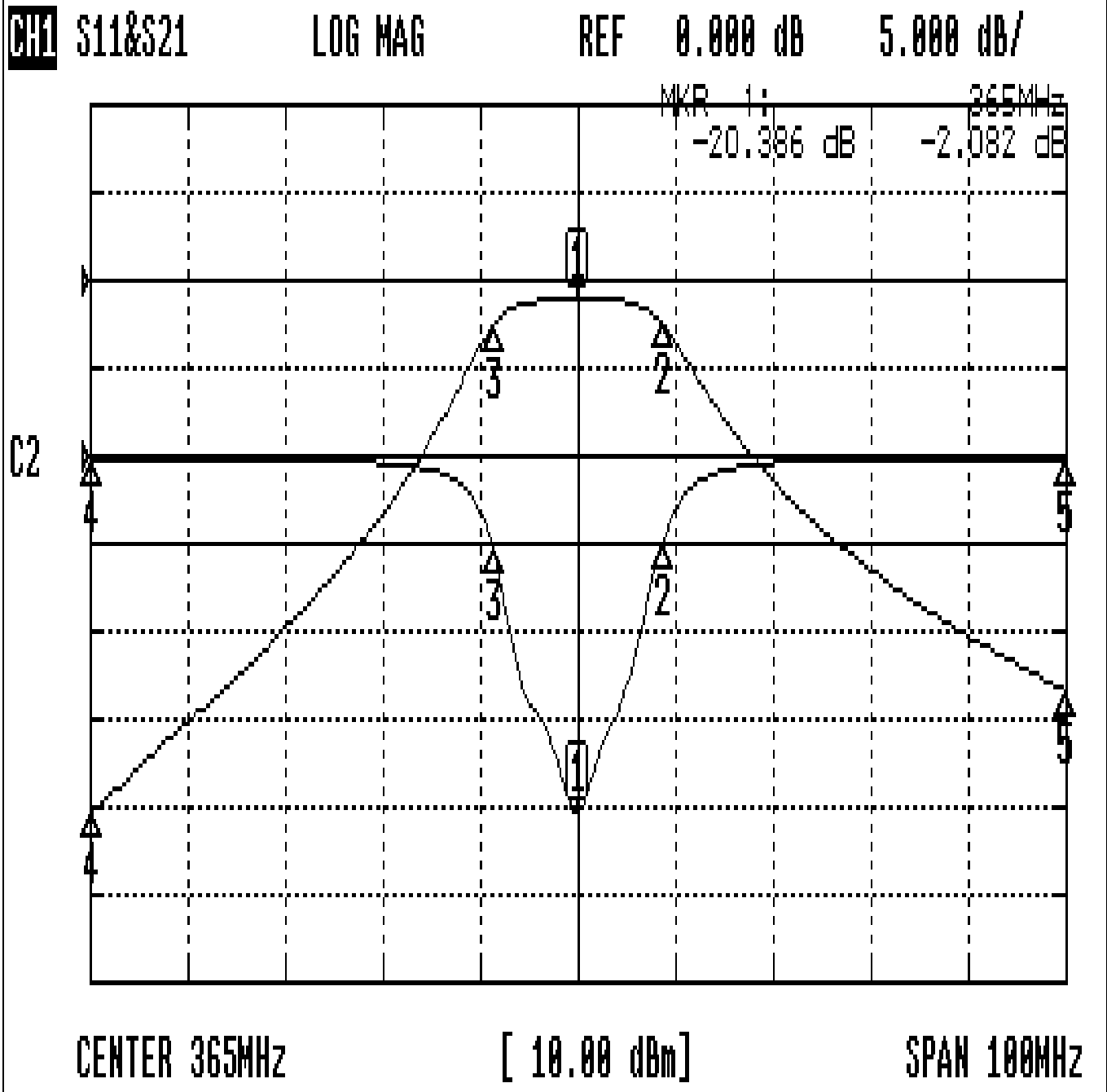


Approval	Supervisor	Designer	Aperture size
C.Y.Chang	C.S.Chang	P.H.Chiang	7H3(4*6.5)(6.59) 7H046LB4 聚 3

TEMWELL CORPORATION

Performance-TT67180B-365M

20504008B



CH1 MARKER LIST

1:	365.000MHz	-20.386 dB	-2.082 dB
2:	373.666MHz	-4.933 dB	-5.016 dB
3:	356.416MHz	-5.421 dB	-5.111 dB
4:	315.000MHz	-0.151 dB	-61.078 dB
5:	415.000MHz	-0.151 dB	-46.697 dB