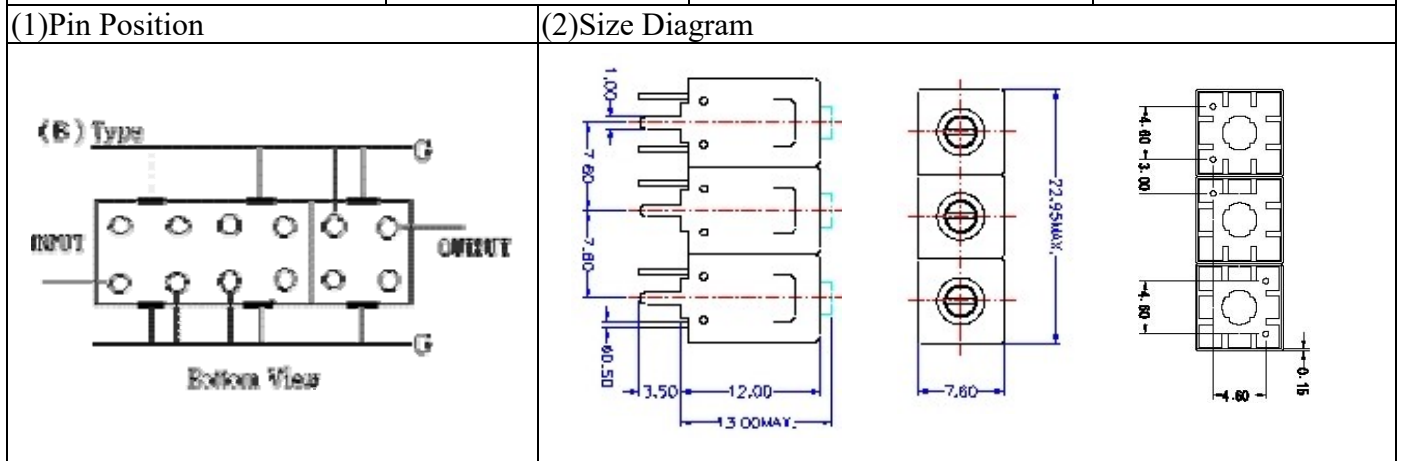


# VHF UHF Helical Filter Specification Sheet

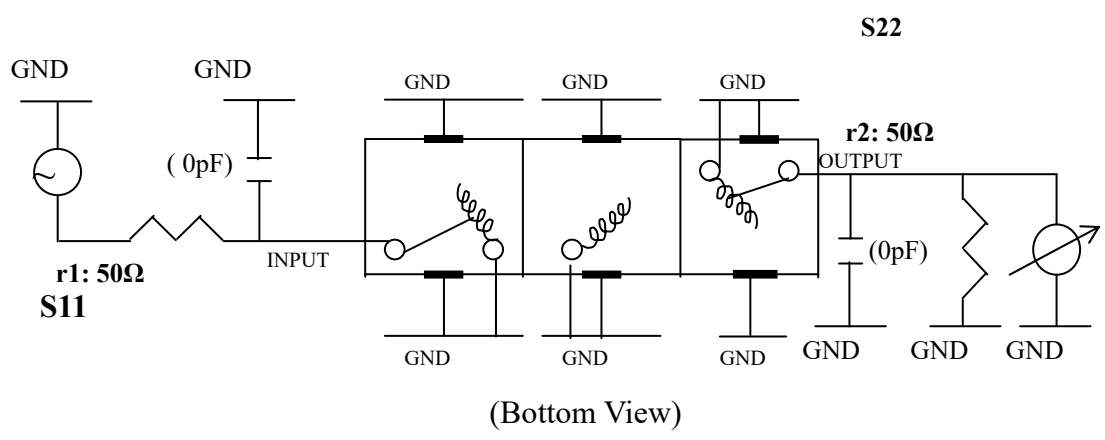
Customer Name		Temwell's Part No.	TT67159B1-128M
Approval No. /dated		Customer's Print Name.	126~145M
Work Instruction No.	0712069BD	Date	Jan.08.2008



(3) Electric Characteristic

Item	Specify	Performance	
Center Freq.(Fo) +/- 0.5 %	128 MHz	128 MHz	
Tunable Range:	128±2 MHz	128±2 MHz	
Insertion Loss	Typ. 2.0 dB	1.04 dB	
-3 dB Bandwidth	Typ. 26 MHz	26.4 MHz	
Sensitivity (Attenuation)	Fo - 40 MHz	Typ. 37 dBc	49 dBc
	Fo + 32 MHz	Typ. 21 dBc	24 dBc
	Fo - ( )MHz	Typ. dBc	dBc
	Fo + ( )MHz	Typ. dBc	dBc
Return Loss	Min. 12 dB	39.3 dB	
Ripple	< 1 dB	dB	
Impedance	In / Out : 50 Ω	In / Out : 50 Ω	
(4) Torque for Tuning Screw	> 100gf · cm		
(5) Temperature Condition:			
Operating Temperature	0°C ~ +60°C		
Storage Temperature	-20°C ~ +70°C		
(6) Input Power	> 1Watt		

(7) Measuring Circuit: ※Easy to match Impedance S11/S22 50Ω by parallel with about(0pF) / (0pF).

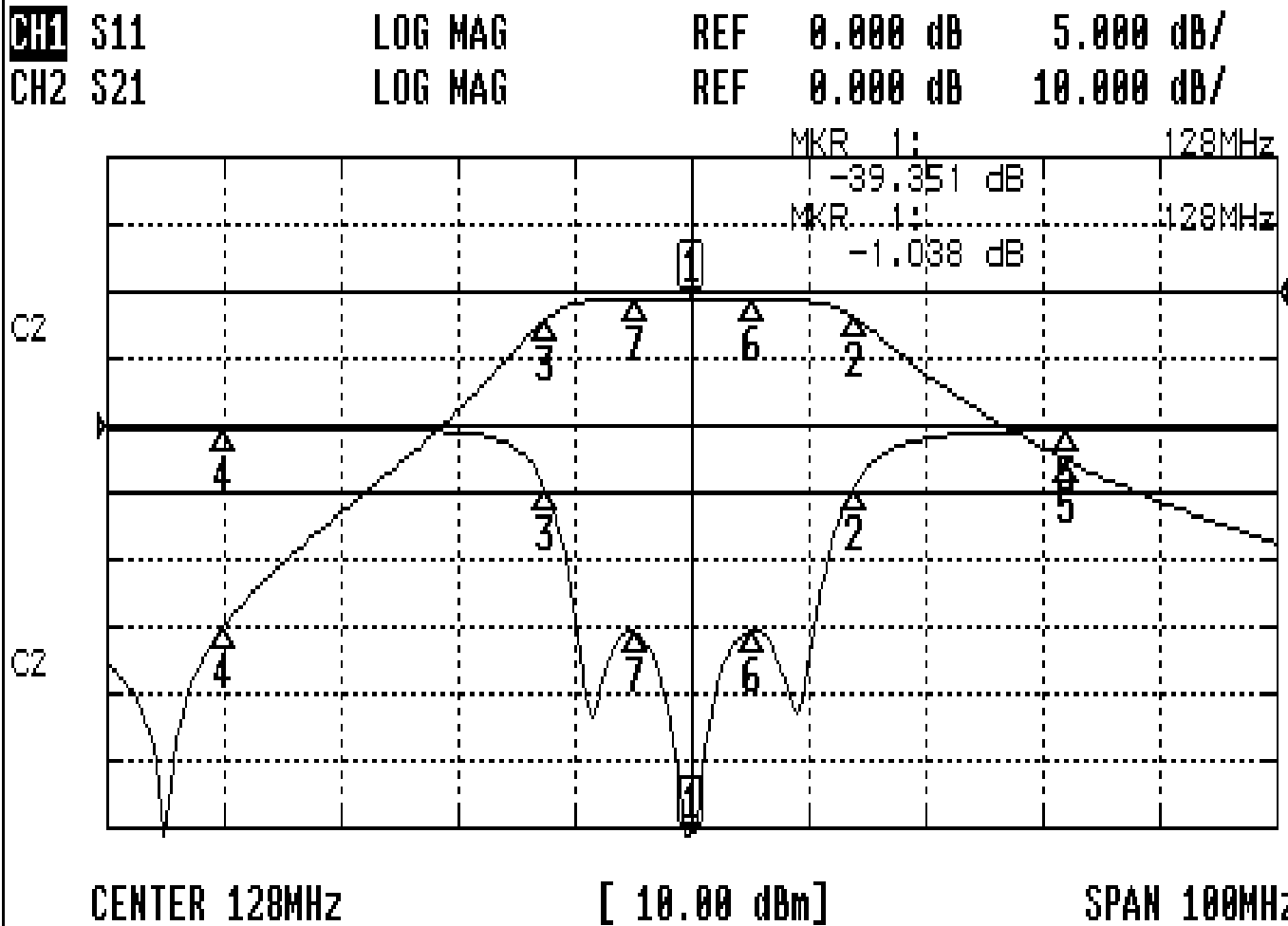


Approval	Supervisor	Designer	Aperture size
C.Y.Chang	C.S.Chang	P.H.Chiang	7H3(4*6.5)F 7H024LB6.5

TEMWELL CORPORATION

# Performance-TT67159B1-128M

## 0712069BD



### CH1 MARKER LIST

1:	128.000MHz	-39.351	dB
2:	141.916MHz	-4.612	dB
3:	115.583MHz	-4.770	dB
4:	88.000MHz	-0.175	dB
5:	160.000MHz	-0.357	dB
6:	133.166MHz	-15.270	dB
7:	123.166MHz	-15.457	dB

### CH2 MARKER LIST

1:	128.000MHz	-1.041	dB
2:	141.916MHz	-4.018	dB
3:	115.583MHz	-4.041	dB
4:	88.000MHz	-5.020	dB
5:	160.000MHz	-25.116	dB
6:	133.166MHz	-1.181	dB
7:	123.166MHz	-1.199	dB