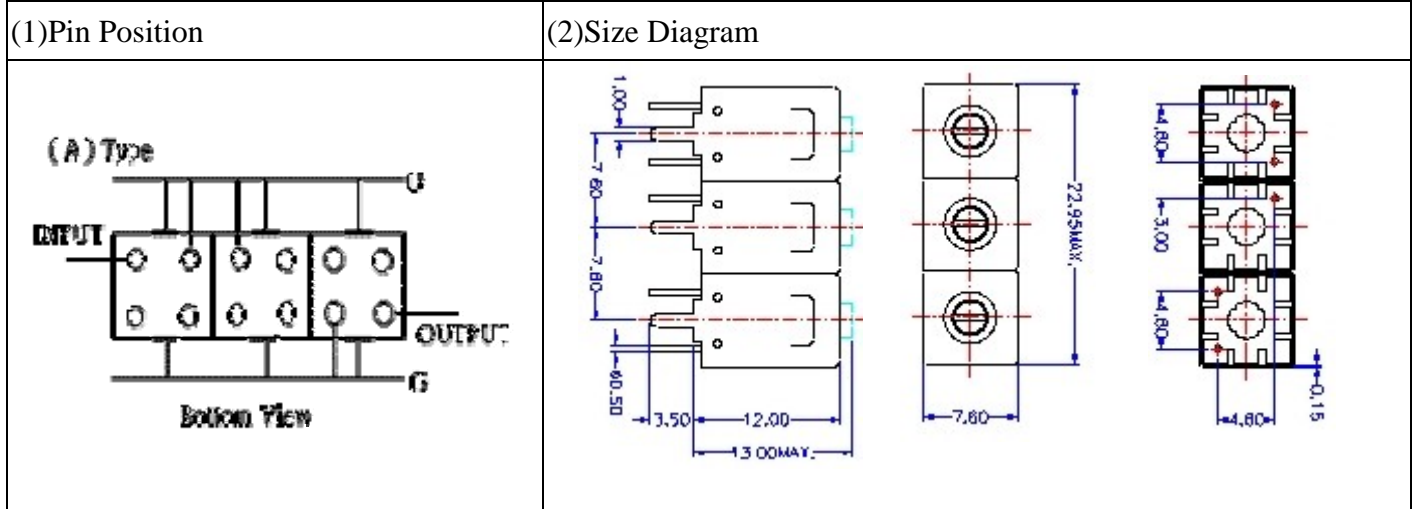


VHF UHF Helical Filter Specification Sheet

Customer Name		Temwell's Part No.	TT67154A-980M
Approval No. /dated	2008049B	Acceptable Specify Fo. Range	976~1000MHz
Work Instruction No.	2008049B	Date	Aug.09.2000



(3) Electric Character

Item	Specify	Performance
Center Freq.(Fo) +/- 0.5 %	980 MHz	980 MHz
Tunable Range	980±5 MHz	980±5 MHz
Insertion Loss	Typ. 7.0 dB	5.6 dB
-3 dB Bandwidth	Typ. 5 MHz	13 MHz
Sensitivity (Attenuation)	Fo - 50 MHz	Typ. 57 dBc
	Fo + 50 MHz	Typ. 36 dBc
	Fo - ()MHz	Typ. dBc
	Fo + ()MHz	Typ. dBc
Return Loss	Min. 12 dB	14.5 dB
Ripple	< 1 dB	dB
Impedance	In / Out : 50 Ω	In / Out : 50 Ω
(4) Torque for Tuning Screw	> 100gf · cm	

(5) Temperature Condition:

Operating Temperature	0°C ~ +60°C
Storage Temperature	-20°C ~ +70°C

(6) Input Power

		> 1Watt	
Approval	Supervisor	Designer	Aperture size
C.Y.Chang	C.S.Chang	C.S.Chang	7H3S(4*4.65) 7H046LB4 聚 3

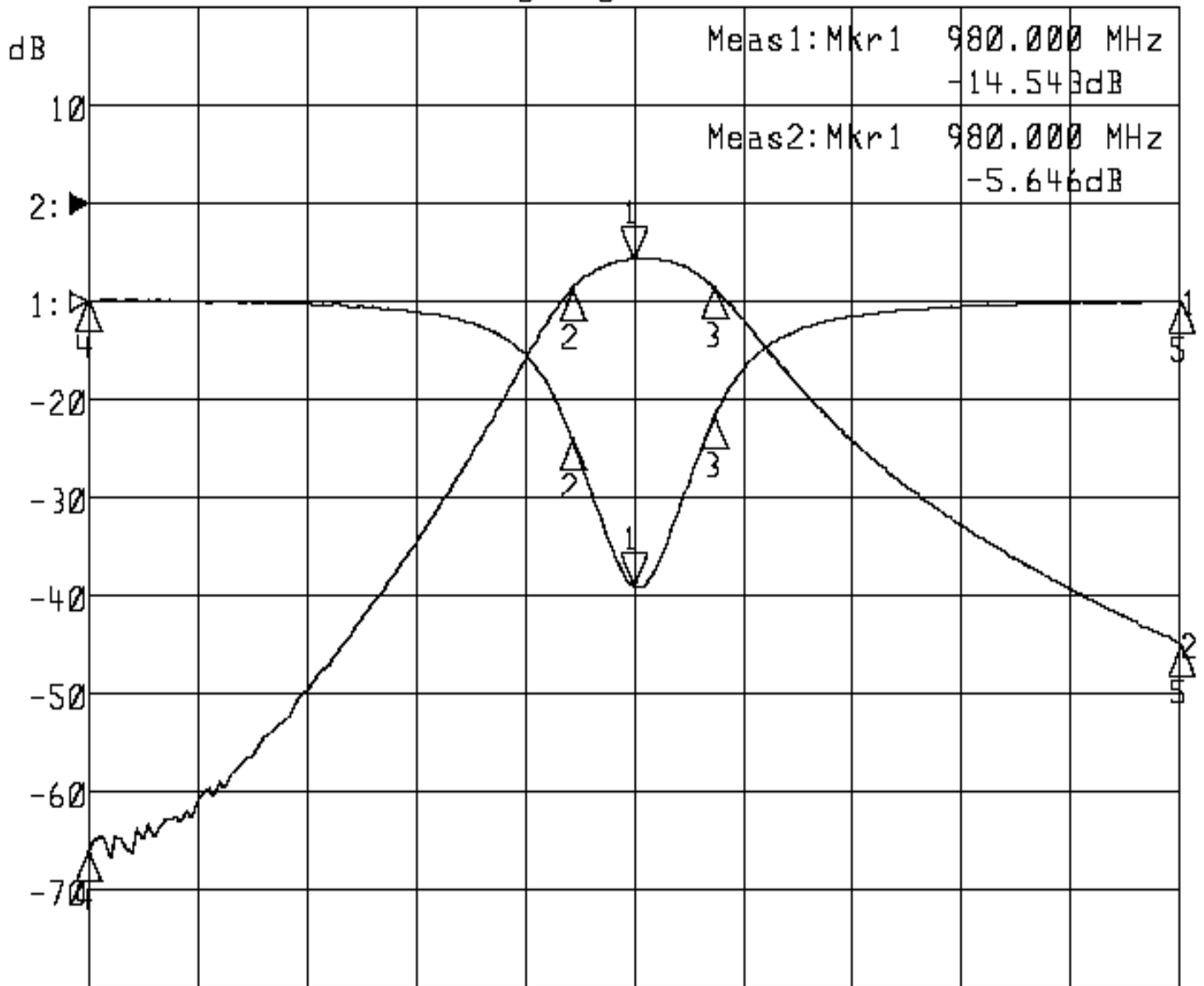
TEMWELL CORPORATION

Performance-TT67154A-980M

2008049B

▷1:S11 Refl Port1 Log Mag 5.0 dB/ Ref 0.00 dB C

▶2:S21 Fwd Trans Log Mag 10.0 dB/ Ref 0.00 dB C



Center 980.000 MHz

Span 100.000 MHz

1:Mkr (MHz)	dB	2:Mkr (MHz)	dB
1> 980.0000	-14.543	1> 980.0000	-5.646
2: 974.3333	-6.971	2: 974.3333	-8.671
3: 987.4000	-5.833	3: 987.4000	-8.609
4: 930.0000	0.102	4: 930.0000	-65.924
5: 1030.0000	0.009	5: 1030.0000	-44.876