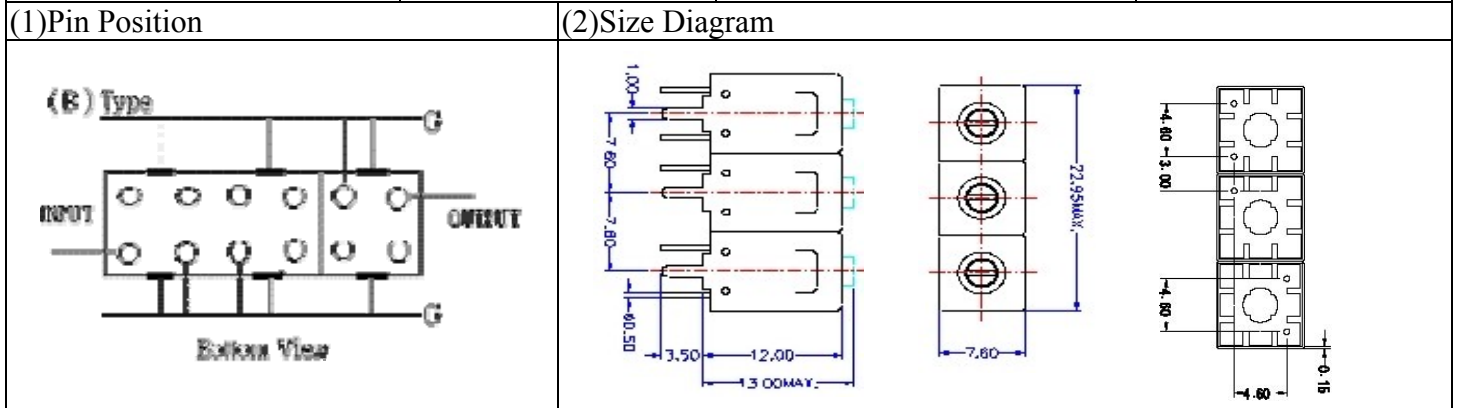


# VHF UHF Helical Filter Specification Sheet

Customer Name		Temwell's Part No.	TT6714B1-157M
Approval No. /dated	0809090CD	Temwell's Print name	146~165M
Work Instruction No.	200809090CD	Date	Sep.26.2008



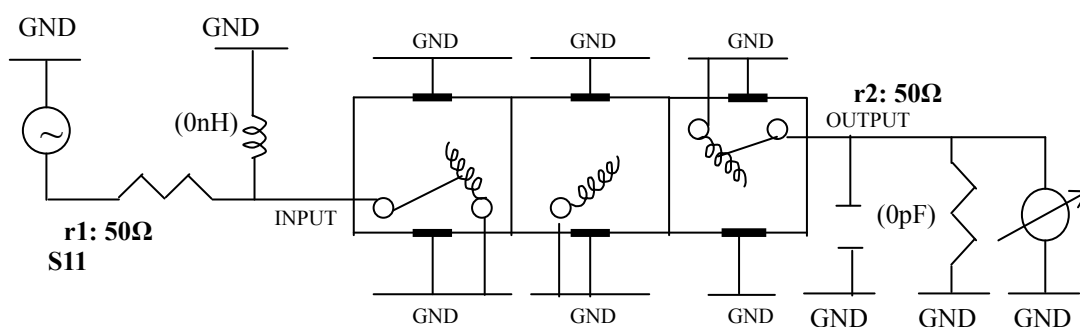
(3) Electric Characteristic			
Item		Specify	Performance
Center Freq.(Fo) +/- 0.75 %		157 MHz	157 MHz
Tunable Range:		157±2 MHz	157±2 MHz
Insertion Loss		Typ. 4.5 dB	3.35 dB
-3 dB Bandwidth		Typ. 4 MHz	5.1 MHz
Sensitivity (Attenuation)	Fo - 10 MHz	Typ. 32 dBc	35 dBc
	Fo + 10 MHz	Typ. 26 dBc	29 dBc
	Fo - ( )MHz	Typ. dBc	dBc
	Fo +( )MHz	Typ. dBc	dBc
Return Loss		Min. 12 dB	26.0 dB
Ripple		< 1 dB	dB
Impedance		In / Out : 50 Ω	In / Out : 50 Ω

(4) Torque for Tuning Screw > 100gf · cm

(5) Temperature Condition:  
 Operating Temperature -30°C ~ +70°C  
 Storage Temperature -30°C ~ +80°C

(6) Input Power > 1 Watt

(7) Measuring Circuit: ※Easy to match Impedance S11/S22 50Ω by parallel with about(0nH) / (0pF).  
 S22



(Bottom View)

Approval	Supervisor	Designer	Aperture size
C.Y.Chang	C.S.Chang	C.S.Chang	7H3(4*5.5F) 7H024RB4

TEMWELL CORPORATION

# Performance-TT6714B1-157M

## 200809090CD

