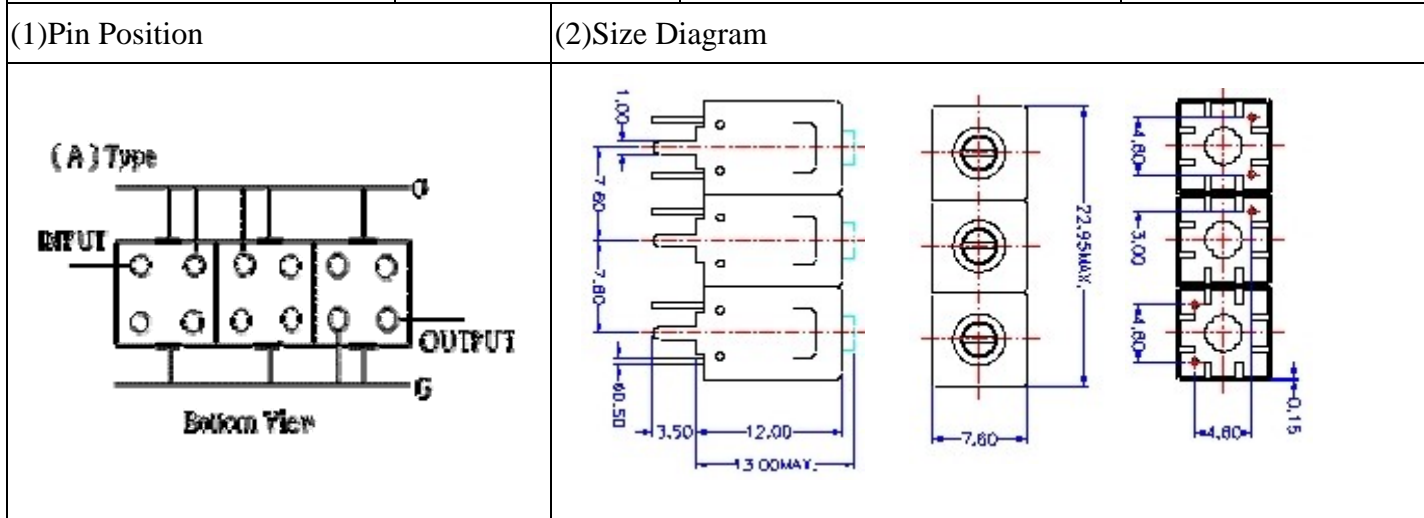


# VHF UHF Helical Filter Specification Sheet

Customer Name		Temwell's Part No.	TT67133A-880M
Approval No. /dated	20403059C	Acceptable Specify Fo. Range	861~900MHz
Work Instruction No.	20403059C	Date	Apr.22.2004



(3) Electric Character

Item	Specify	Performance
Center Freq.(Fo ) +/- 0.5 %	880 MHz	880 MHz
Tunable Range	880±10 MHz	880±10 MHz
Insertion Loss	Typ. 5.0 dB	3.8 dB
-3 dB Bandwidth	Typ. 10 MHz	16 MHz
Sensitivity (Attenuation )	Fo - 50 MHz	Typ. 45 dBc
	Fo + 50 MHz	Typ. 32 dBc
	Fo - ( )MHz	Typ. dBc
	Fo +( )MHz	Typ. dBc
Return Loss	Min. 12 dB	30.3 dB
Ripple	< 1 dB	dB
Impedance	In / Out : 50 Ω	In / Out : 50 Ω

(4) Torque for Tuning Screw > 100gf · cm

(5) Temperature Condition:

Operating Temperature	0°C ~ +60°C
Storage Temperature	-20°C ~ +70°C

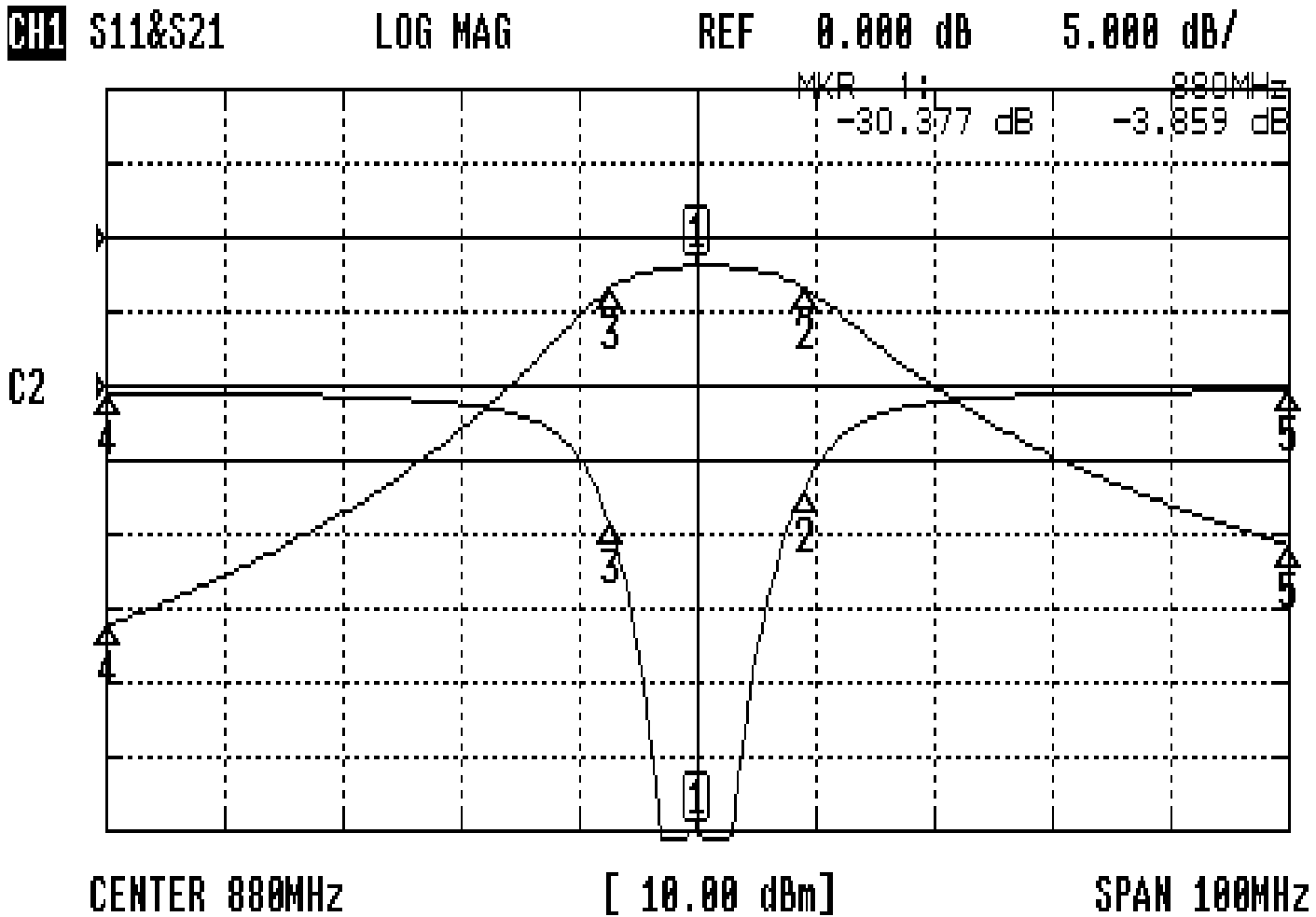
(6) Input Power > 1Watt

Approval	Supervisor	Designer	Aperture size
C.Y. Chang	C.S. Chang	J.F. Lin	7H3S(4*4.5)F 7H046LB4 聚 3

TEMWELL CORPORATION

# Performance-TT67133A-880M

## 20403059C



### CH1 MARKER LIST

1:	880.000MHz	-30.393 dB	-3.858 dB
2:	889.883MHz	-6.852 dB	-6.848 dB
3:	872.666MHz	-9.303 dB	-6.867 dB
4:	830.000MHz	-0.426 dB	-51.995 dB
5:	930.000MHz	-0.352 dB	-41.367 dB
6:			
7:			
8:			
9:			
10:			