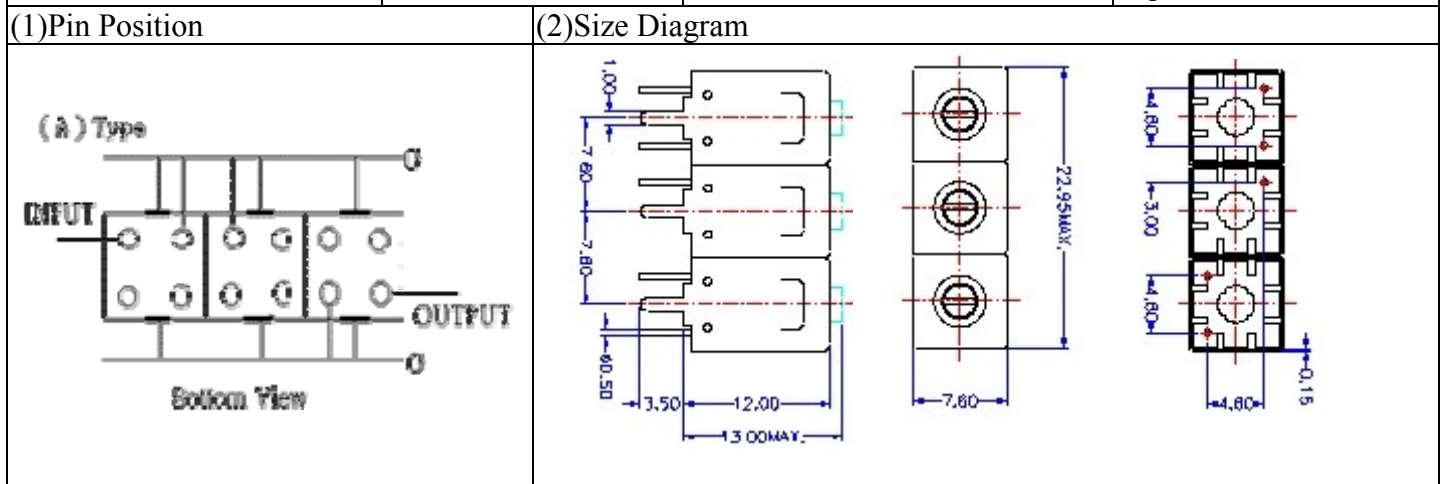


VHF UHF Helical Filter Specification Sheet

Customer Name		Temwell's Part No.	TT67124A-600M
Approval No. /dated	9908021A	Acceptable Specify Fo Range	596~640MHz
Work Instruction No.	9908021A	Date	Sep.13.2006



(3) Electric Character			
Item	Specify	Performance	
Center Freq.(Fo) +/- 0.5 %	600 MHz	600 MHz	
Tunable Range	600±3 MHz	600±3 MHz	
Insertion Loss	Typ. 2.0 dB	1.34 dB	
-3dB Bandwidth	Typ. 35 MHz	41.5 MHz	
Sensitivity (Attenuation)	Fo - 80 MHz	Typ. 47 dBc	49 dBc
	Fo + 80 MHz	Typ. 30 dBc	32 dBc
	Fo - MHz	Typ. dBc	dBc
	Fo + MHz	Typ. dBc	dBc
Return Loss	Min. 12 dB	18.2 dB	
Ripple	< 1 dB	dB	
Impedance	In / Out : 50 Ω	In / Out : 50 Ω	

(4) Torque for Tuning Screw > 100gf · cm

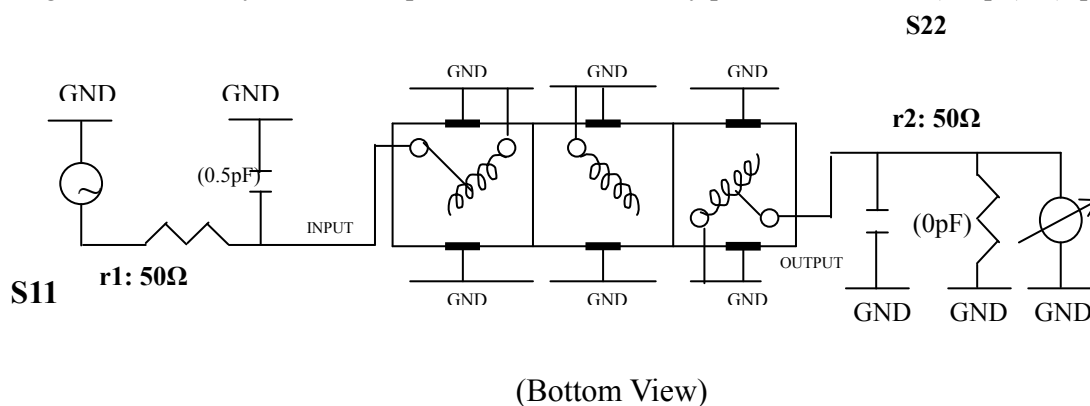
(5) Temperature Condition:

Operating Temperature 0°C ~ +60°C

Storage Temperature -20°C ~ +70°C

(6) Input Power > 1Watt

(7) Measuring Circuit: ※Easy to match Impedance S11/S22 50Ω by parallel with about(0.5 pF) / (0 pF).



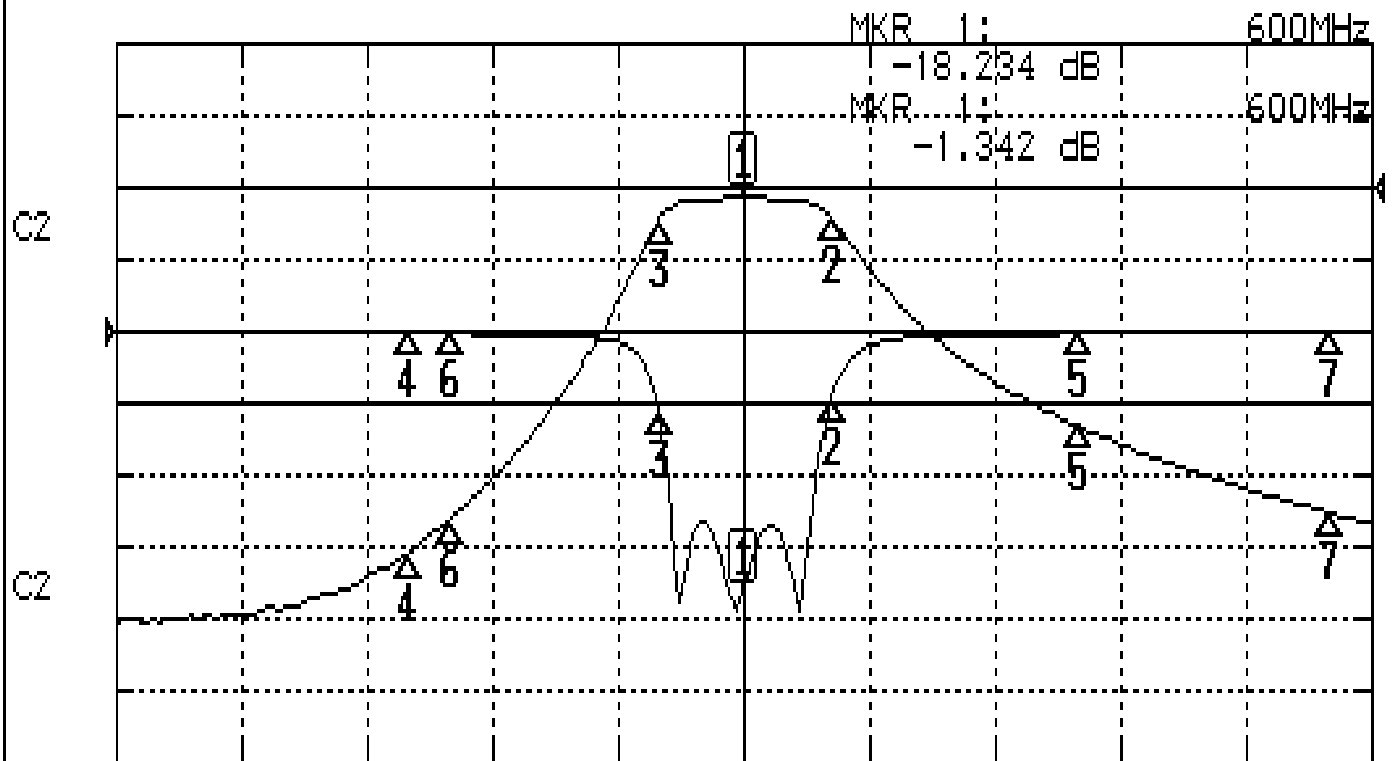
Approval C.Y.Chang	Supervisor C.S.Chang	Designer P.H.Chiang	Aperture size 7H3(4*7.5)(7.57) 7H046LB4 聚 3
-----------------------	-------------------------	------------------------	---

TEMWELL CORPORATION

Performance-TT67124A-600M

9908021B

CH1 S11 LOG MAG REF 0.000 dB 5.000 dB/
 CH2 S21 LOG MAG REF 0.000 dB 10.000 dB/



CENTER 600MHz

[10.00 dBm]

SPAN 300MHz

CH1 MARKER LIST

1:	600.000MHz	-18.235	dB
2:	621.250MHz	-4.426	dB
3:	579.750MHz	-5.696	dB
4:	520.000MHz	-0.118	dB
5:	680.000MHz	-0.141	dB
6:	530.000MHz	-0.135	dB
7:	740.000MHz	-0.125	dB
10:			

CH2 MARKER LIST

1:	600.000MHz	-1.342	dB
2:	621.250MHz	-4.405	dB
3:	579.750MHz	-4.427	dB
4:	520.000MHz	-50.610	dB
5:	680.000MHz	-33.227	dB
6:	530.000MHz	-46.041	dB
7:	740.000MHz	-45.233	dB
10:			