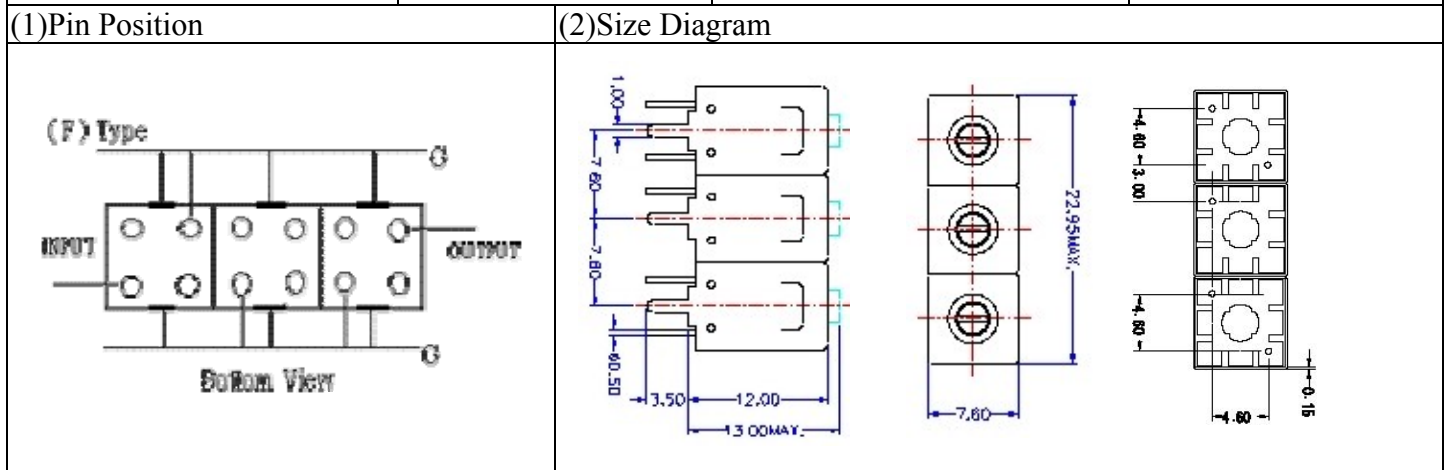


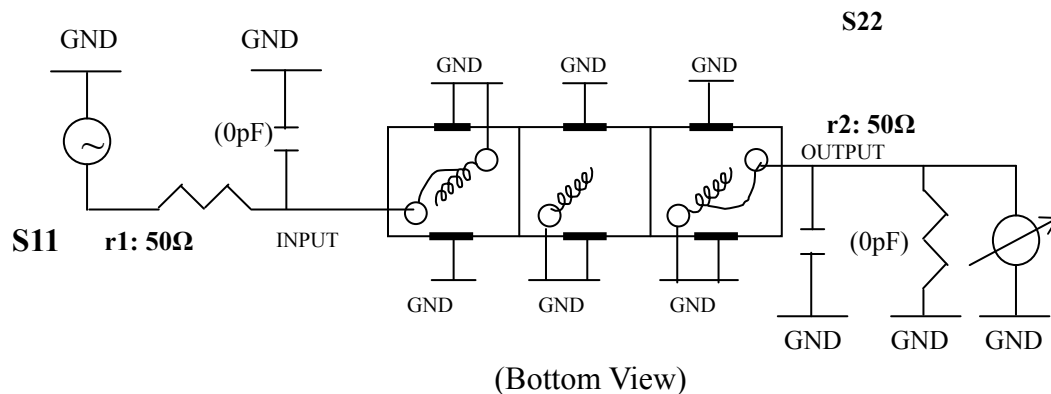
VHF UHF Helical Filter Specification Sheet

Customer Name		Temwell's Part No.	TT67108F-612M
Approval No. /dated	20206045DB	Temwell's print name	67108F 612M
Work Instruction No.	20206045DB	Date	Jun.02.2009



(3) Electric Characteristic			
Item		Specify	Performance
Center Freq.(Fo) +/- 0.5 %		612 MHz	612 MHz
Insertion Loss		Typ. 2.5 dB	1.72 dB
-3 dB Bandwidth		Typ. 20 MHz	24.4 MHz
Sensitivity (Attenuation)	Fo - 50 MHz	Typ. 42 dBc	44 dBc
	Fo + 50 MHz	Typ. 28 dBc	29 dBc
	Fo - ()MHz	Typ. dBc	dBc
	Fo +()MHz	Typ. dBc	dBc
Return Loss		Min. 12 dB	22.5 dB
Ripple		< 1 dB	dB
Impedance		In / Out : 50 Ω	In / Out : 50 Ω
(4) Torque for Tuning Screw		> 100gf · cm	
(5) Temperature Condition:			
Operating Temperature		-30°C ~ +70°C	
Storage Temperature		-30°C ~ +80°C	
(6) Input Power		> 1Watt	

(7) Measuring Circuit: ※Easy to match Impedance S11/S22 50Ω by parallel with about(0pF) / (0pF).



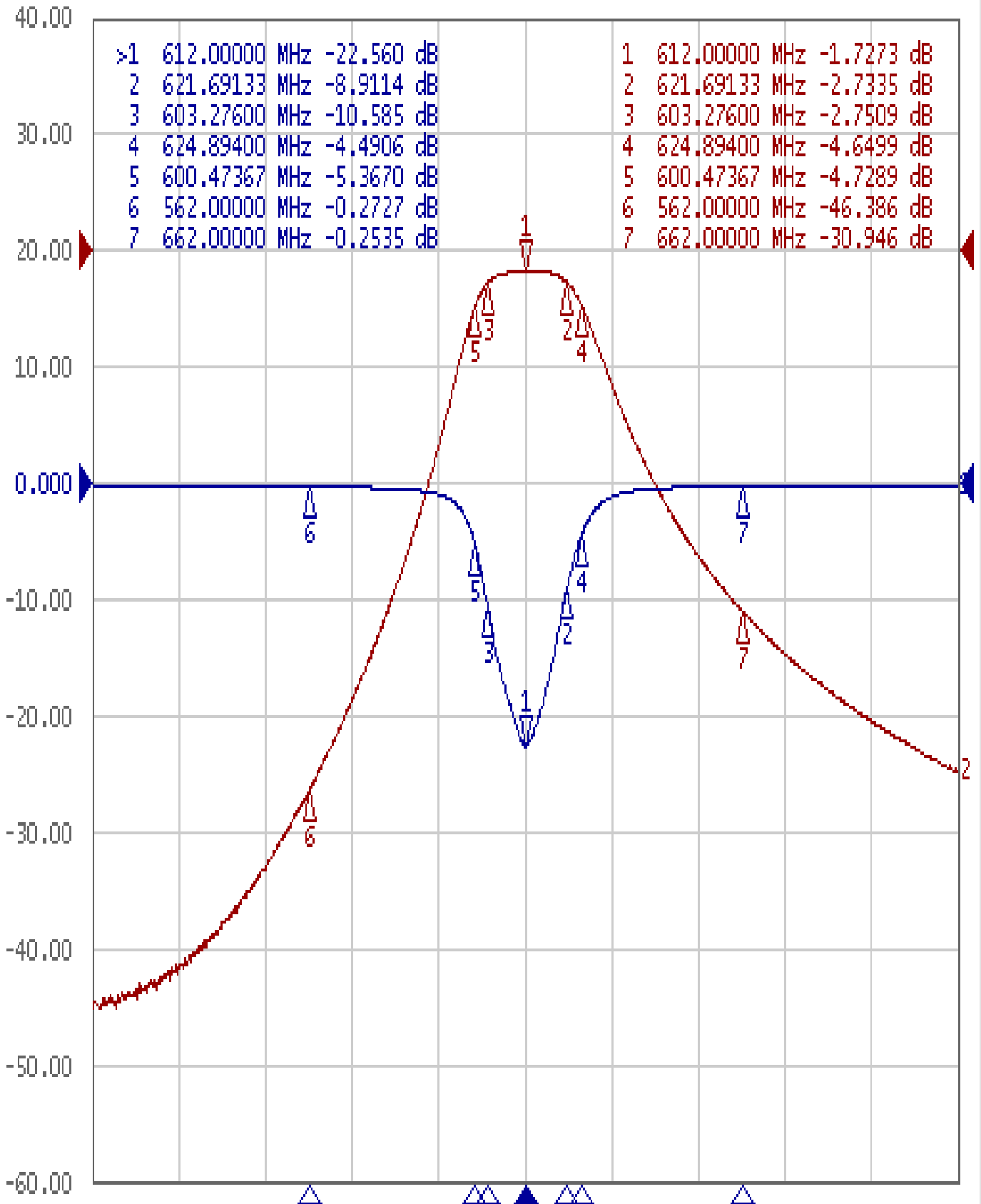
Approval	Supervisor	Designer	Aperture size
C.Y.Chang	C.S.Chang	Y.H.Chuan	7H3(4*4.5F)*(6.5B)

TEMWELL CORPORATION

Performance-TT67108F-612M

20206045DB

Tr1 S11 Log Mag 10.00dB/ Ref 0.000dB [F2]
Tr2 S21 Log Mag 10.00dB/ Ref 0.000dB [F2]



1 Center 612 MHz

IFBW 10 kHz

Span 200 MHz Cor !