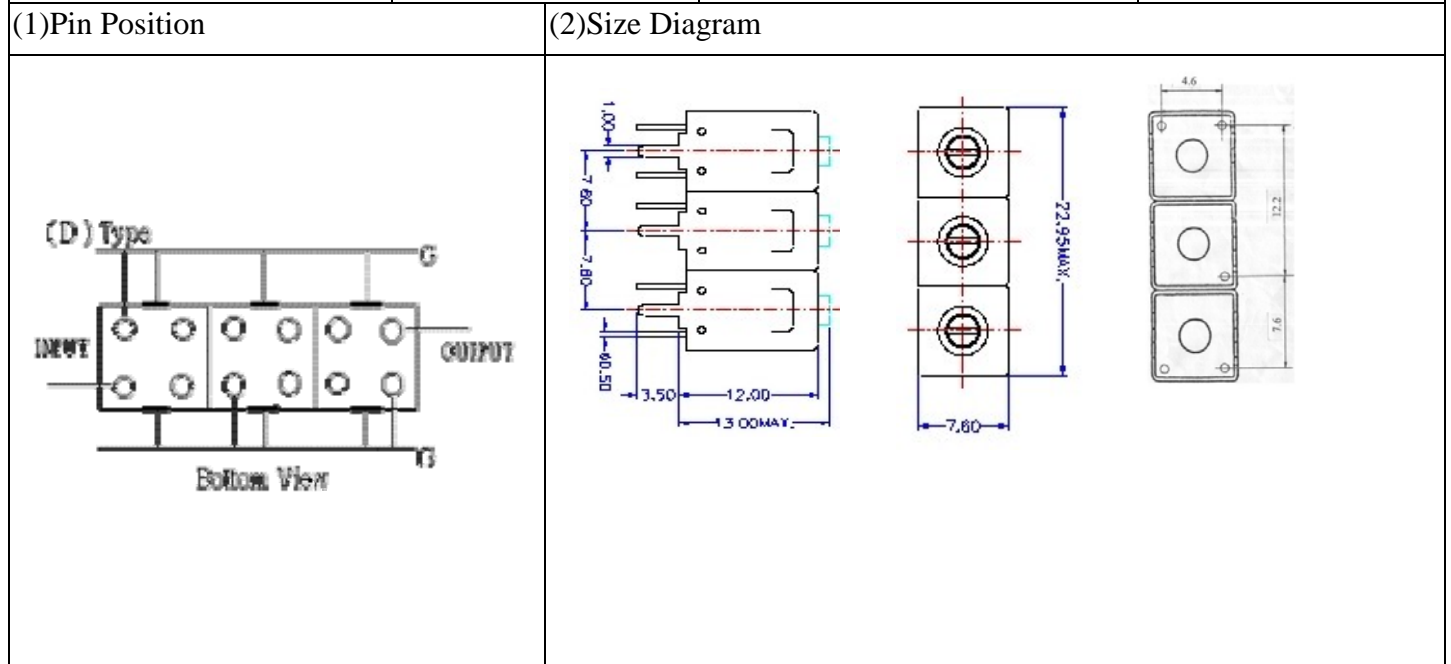


VHF UHF Helical Filter Specification Sheet

Customer Name		Temwell's Part No.	TT67103D-580M
Approval No. /dated	2008022B	Acceptable Specify Fo Range	556~595MHz
Work Instruction No.	2008022B	Date	Aug.07.2000



(3) Electric Characteristic

Item	Specify	Performance	
Center Freq.(Fo) +/- 0.5 %	580 MHz	580 MHz	
Tunable Range:	580±5 MHz	580±5 MHz	
Insertion Loss	Typ. 2.5 dB	1.41 dB	
-3 dB Bandwidth	Typ. 17 MHz	20 MHz	
Sensitivity (Attenuation)	Fo - 50 MHz	Typ. 47 dBc	50 dBc
	Fo + 50 MHz	Typ. 30 dBc	33 dBc
	Fo - ()MHz	Typ. dBc	dBc
	Fo +()MHz	Typ. dBc	dBc
Return Loss	Min. 12 dB	21.5 dB	
Ripple	< 1 dB	dB	
Impedance	In / Out : 50 Ω	In / Out : 50 Ω	
(4) Torque for Tuning Screw	> 100gf • cm		

(5) Temperature Condition:

Operating Temperature	0°C ~ +60°C
Storage Temperature	-20°C ~ +70°C

(6) Input Power

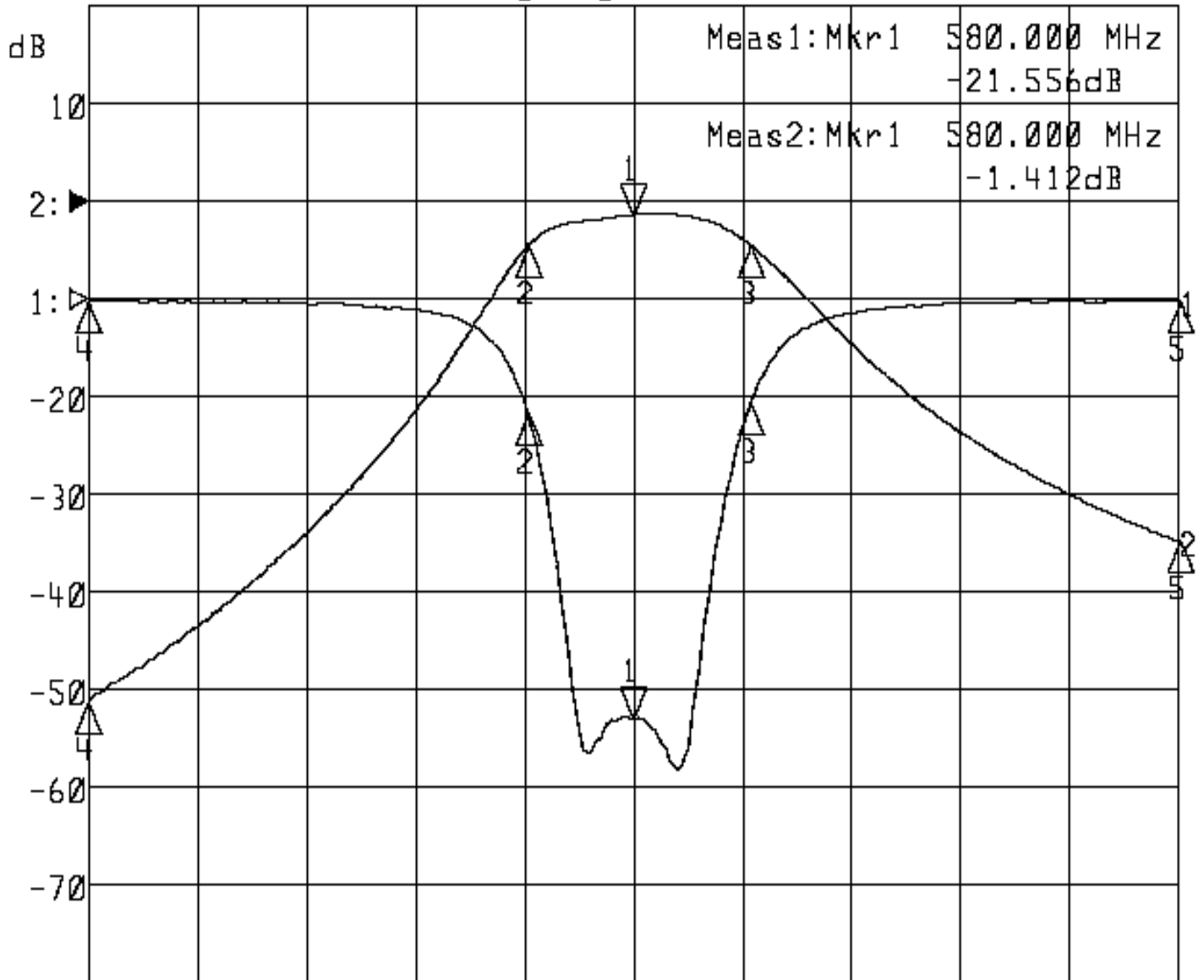
	> 1Watt
--	---------

Approval C.Y.Chang	Supervisor C.S.Chang	Designer C.S.Chang	Aperture size 7H3S(4*5.5)F 7H046LB4 聚 3
-----------------------	-------------------------	-----------------------	---

Performance- TT67103D-580M

2008022B

▷1:S11 Refl Port1 Log Mag 5.0 dB/ Ref 0.00 dB C
▶2:S21 Fwd Trans Log Mag 10.0 dB/ Ref 0.00 dB C



Center 580.000 MHz

Span 100.000 MHz

1: Mkr (MHz)	dB	2: Mkr (MHz)	dB
1> 580.0000	-21.556	1> 580.0000	-1.412
2: 570.3333	-5.866	2: 570.3333	-4.522
3: 590.7667	-5.325	3: 590.7667	-4.398
4: 530.0000	-0.136	4: 530.0000	-51.156
5: 630.0000	-0.142	5: 630.0000	-34.851