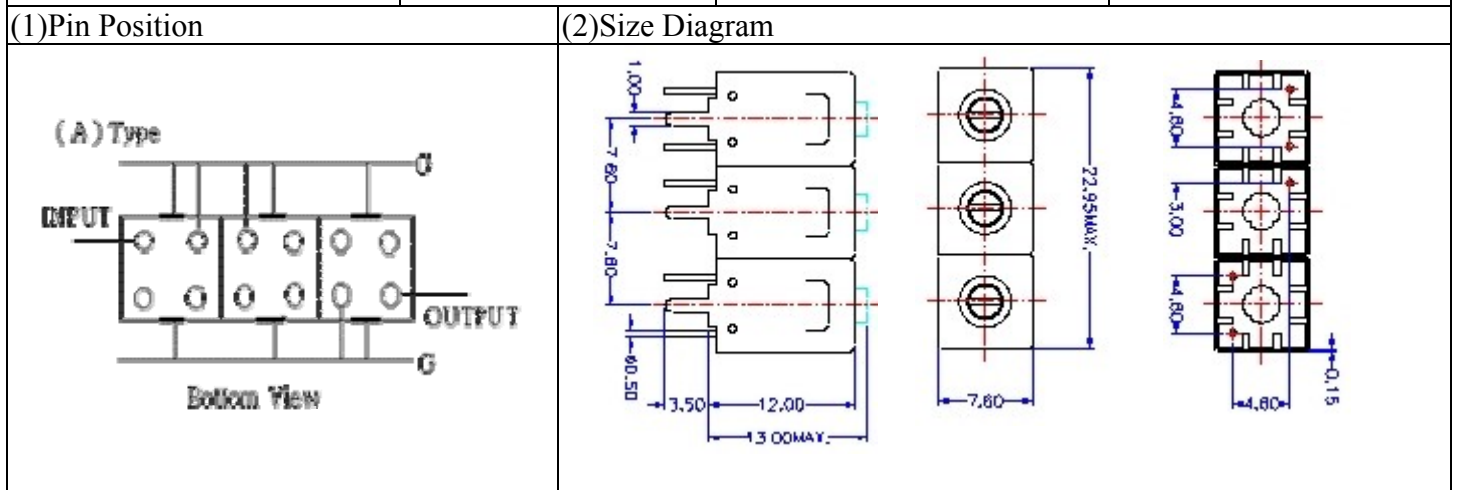


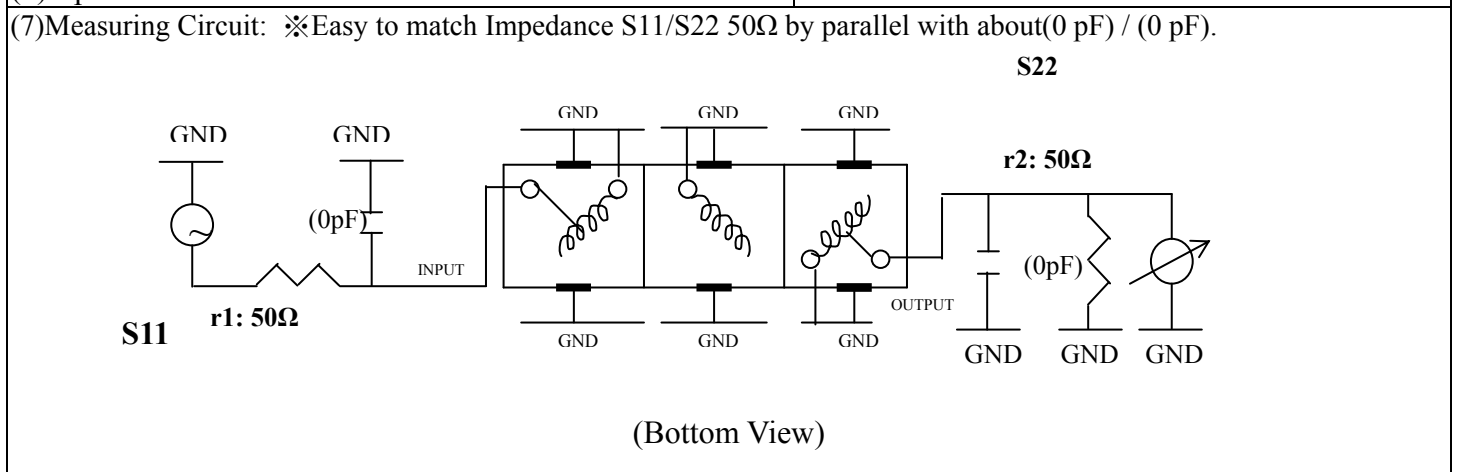
VHF UHF Helical Filter Specification Sheet

Customer Name		Temwell's Part No.	TT67103A-575M
Approval No. /dated	20310017B	Temwell's print name	556~595MHz
Work Instruction No.	20310017B	Date	Oct.07.2003



(3) Electric Character			
Item	Specify	Performance	
Center Freq.(Fo) +/- 0.75 %	575 MHz	575 MHz	
Tunable Range	575±5 MHz	575±5 MHz	
Insertion Loss	Typ. 4.0 dB	3.2 dB	
-3dB Bandwidth	Typ. 10 MHz	13.6 MHz	
Sensitivity (Attenuation)	Fo - 40 MHz	Typ. 48 dBc	50 dBc
	Fo + 40 MHz	Typ. 37 dBc	39 dBc
	Fo - ()MHz	Typ. dBc	dBc
	Fo +()MHz	Typ. dBc	dBc
Return Loss	Min. 12 dB	22.5 dB	
Ripple	< 1 dB		
Impedance	In / Out : 50 Ω		In / Out : 50 Ω
(4) Torque for Tuning Screw	> 100gf · cm		

(5) Temperature Condition:	
Operating Temperature	0°C ~ +60°C
Storage Temperature	-20°C ~ +70°C
(6) Input Power	
> 1Watt	



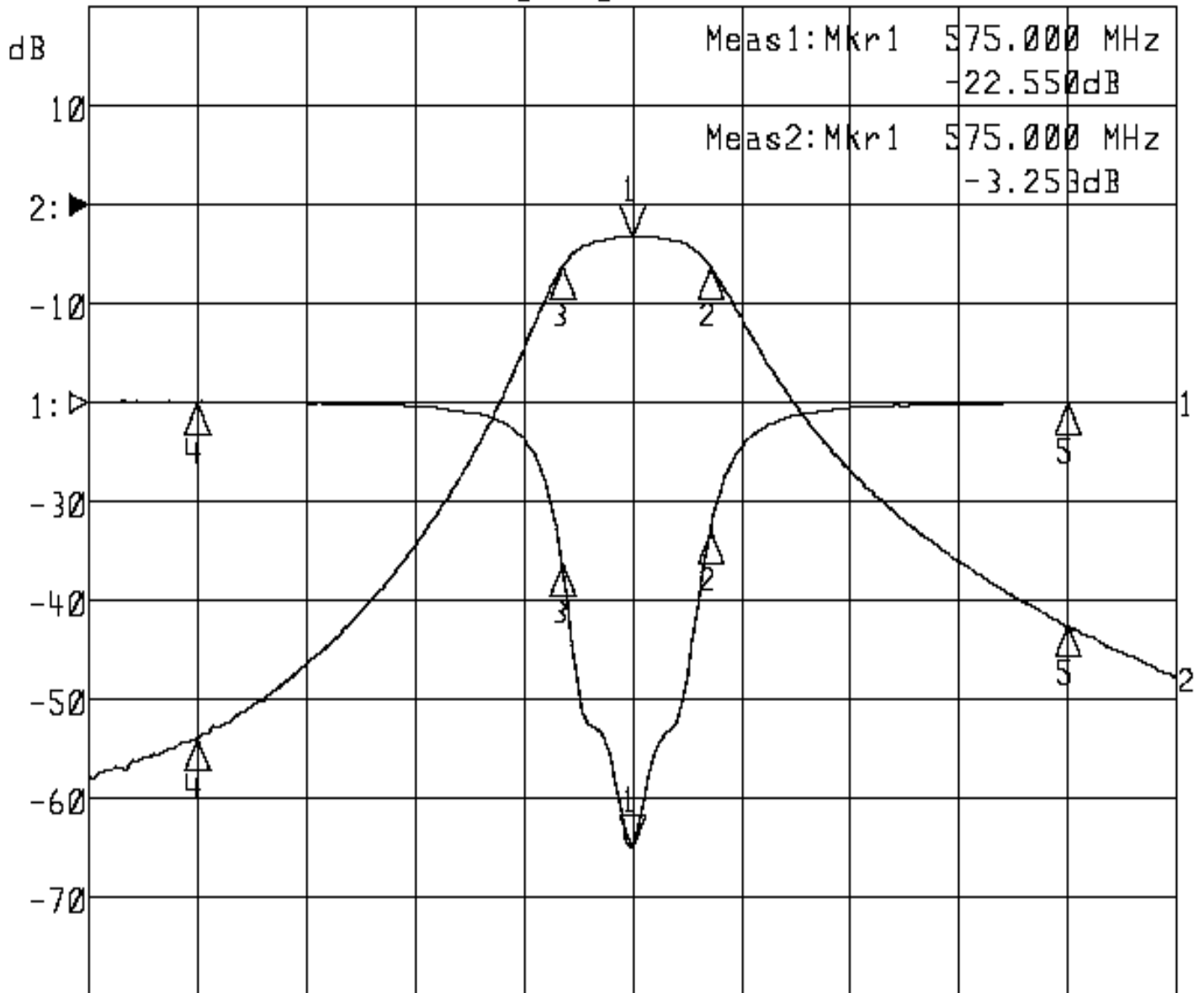
Approval	Supervisor	Designer	Aperture size
C.Y.Chang	C.S.Chang	C.S.Chang	7H3S(4*5.5)F 7H046LB4 聚 3

Performance-TT67103A-575M

20310017B

►1:S11 Refl Port1 Log Mag 5.0 dB/ Ref 0.00 dB C

►2:S21 Fwd Trans Log Mag 10.0 dB/ Ref 0.00 dB C



Center 575.000 MHz

Span 100.000 MHz

1:Mkr (MHz)	dB	2:Mkr (MHz)	dB
1> 575.0000	-22.550	1> 575.0000	-3.253
2: 582.1667	-6.459	2: 582.1667	-6.232
3: 568.5667	-8.126	3: 568.5667	-6.242
4: 535.0000	-0.008	4: 535.0000	-53.882
5: 615.0000	-0.011	5: 615.0000	-42.547