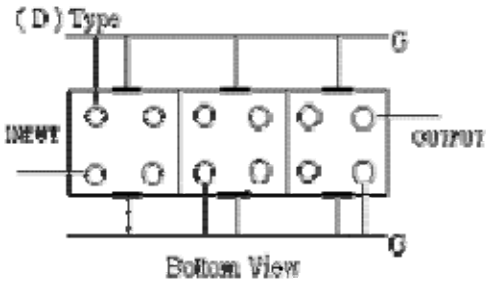
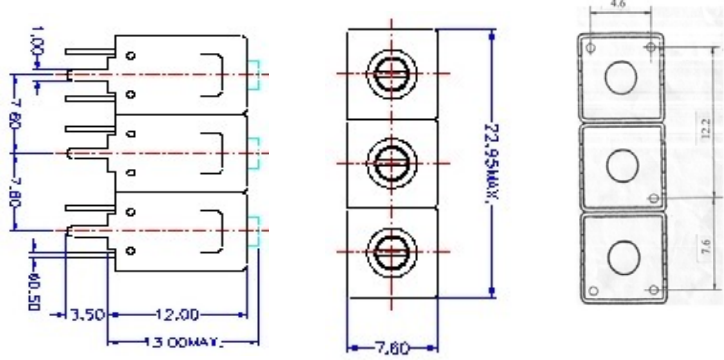


# VHF UHF Helical Filter Specification Sheet

Customer Name		Temwell's Part No.	TT67101D-468M
Approval No. /dated	20112069A	Acceptable Specify Fo Range	456~515MHz
Work Instruction No.	20112069A	Date	Jan.17.2002

<p>(1) Pin Position</p> 	<p>(2) Size Diagram</p> 
---	--

(3) Electric Characteristic

Item	Specify	Performance	
Center Freq.(Fo ) +/- 0.5 %	468 MHz	468 MHz	
Tunable Range:	468±5 MHz	468±5 MHz	
Insertion Loss	Typ. 3.5 dB	2.84 dB	
-3 dB Bandwidth	Typ. 8 MHz	10.6 MHz	
Sensitivity (Attenuation)	Fo - 50 MHz	Typ. 60 dBc	67 dBc
	Fo + 50 MHz	Typ. 44 dBc	46 dBc
	Fo - ( )MHz	Typ. dBc	dBc
	Fo +( )MHz	Typ. dBc	dBc
Return Loss	Min. 12 dB	27 dB	
Ripple	< 1 dB	dB	
Impedance	In / Out : 50 Ω	In / Out : 50 Ω	
(4) Torque for Tuning Screw	> 100gf • cm		

(5) Temperature Condition:

Operating Temperature	0°C ~ +60°C
Storage Temperature	-20°C ~ +70°C

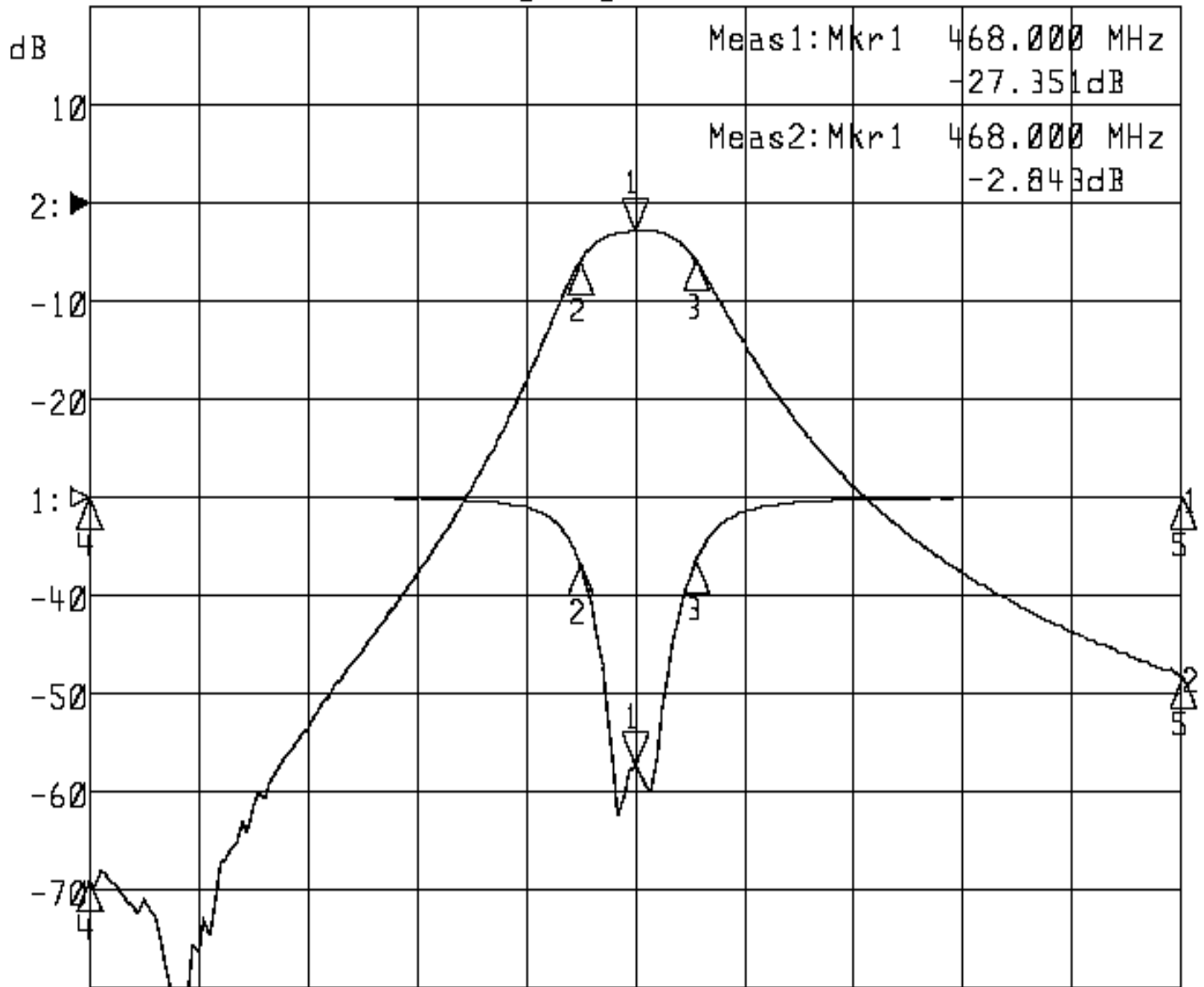
(6) Input Power

			> 1Watt
Approval C.Y.Chang	Supervisor C.S.Chang	Designer C.S.Chang	Aperture size 7H3S(4*4.65)F 7H046LB4 聚 3

# Performance-TT67101D-468M

## 20112069A

▷1:S11 Refl Port1 Log Mag 10.0 dB/ Ref 0.00 dB C  
▼2:S21 Fwd Trans Log Mag 10.0 dB/ Ref 0.00 dB C



Center 468.000 MHz

Span 100.000 MHz

1:Mkr (MHz)	dB	2:Mkr (MHz)	dB
1> 468.0000	-27.351	1> 468.0000	-2.843
2: 462.9667	-6.696	2: 462.9667	-5.884
3: 473.5667	-6.488	3: 473.5667	-5.868
4: 418.0000	0.006	4: 418.0000	-69.072
5: 518.0000	-0.017	5: 518.0000	-48.265