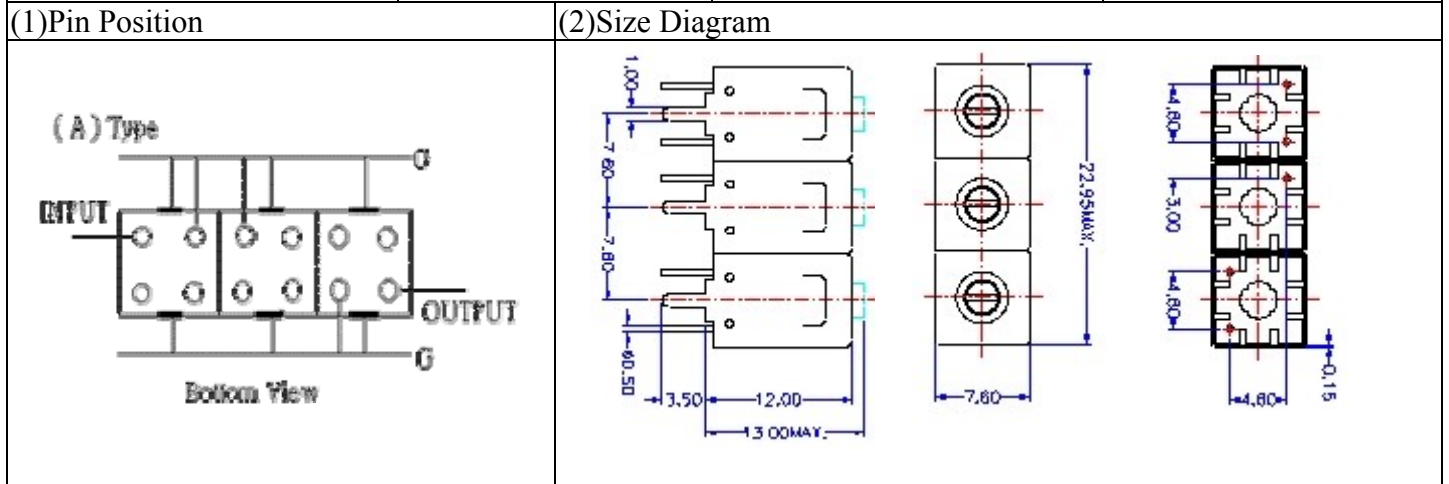


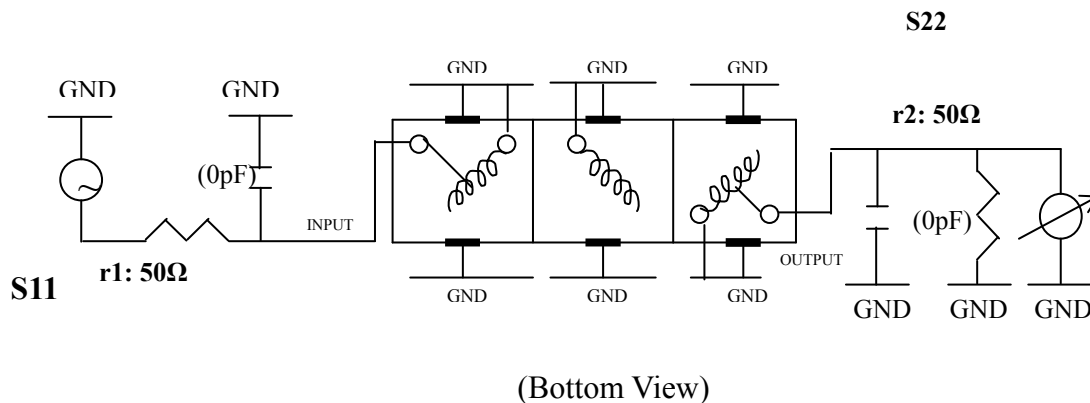
VHF UHF Helical Filter Specification Sheet

Customer Name		Temwell's Part No.	TT67101A-480M
Approval No. /dated	20008100	Temwell's print name	456~515MHz
Work Instruction No.	20008100	Date	Aug.18.2000



(3) Electric Character			
Item	Specify	Performance	
Center Freq.(Fo) +/- 0.75 %	480 MHz	480 MHz	
Tunable Range	480±5 MHz	480±5 MHz	
Insertion Loss	Typ. 5.0 dB	4.0 dB	
-3dB Bandwidth	Typ. 5 MHz	8.2 MHz	
Sensitivity (Attenuation)	Fo - 20 MHz	Typ. 42 dBc	45 dBc
	Fo + 20 MHz	Typ. 32 dBc	35 dBc
	Fo - ()MHz	Typ. dBc	dBc
	Fo +()MHz	Typ. dBc	dBc
Return Loss	Min. 12 dB	17.2 dB	
Ripple	< 1 dB	dB	
Impedance	In / Out : 50 Ω	In / Out : 50 Ω	
(4) Torque for Tuning Screw			
		> 100gf · cm	
(5) Temperature Condition:			
Operating Temperature		0°C ~ +60°C	
Storage Temperature		-20°C ~ +70°C	
(6) Input Power		> 1Watt	

(7) Measuring Circuit: ※Easy to match Impedance S11/S22 50Ω by parallel with about(0 pF) / (0 pF).



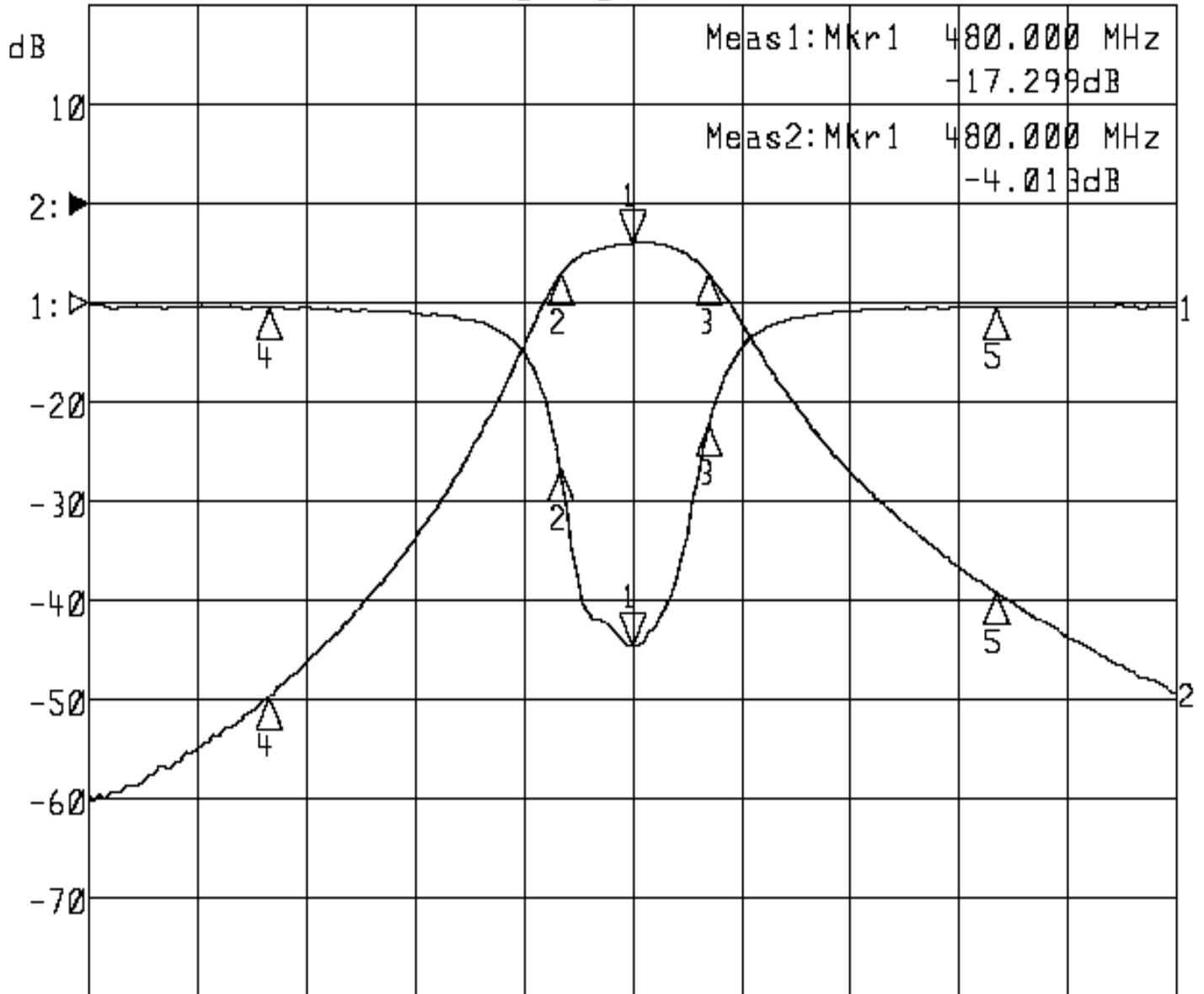
Approval C.Y.Chang	Supervisor C.S.Chang	Designer C.S.Chang	Aperture size 7H3(4*5.5)F 7H024LB4
TEMWELL CORPORATION			

Performance- TT67101A-480M

20008100

▶1:S11 Refl Port1 Log Mag 5.0 dB/ Ref 0.00 dB C

▶2:S21 Fwd Trans Log Mag 10.0 dB/ Ref 0.00 dB C



Center 480.000 MHz

Span 60.000 MHz

1:Mkr (MHz)	dB	2:Mkr (MHz)	dB
1> 480.0000	-17.299	1> 480.0000	-4.013
2: 476.0400	-8.410	2: 476.0400	-7.099
3: 484.2000	-6.184	3: 484.2000	-7.055
4: 460.0000	-0.220	4: 460.0000	-49.648
5: 500.0000	-0.219	5: 500.0000	-39.169