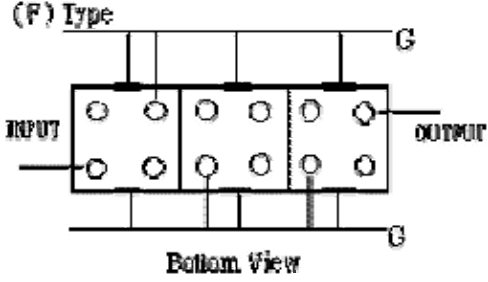
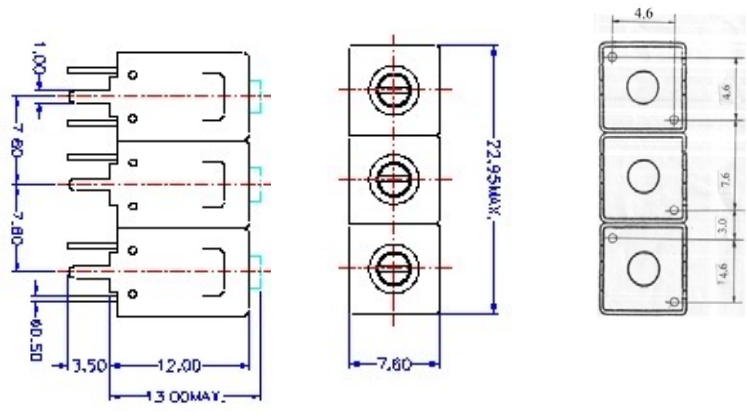


VHF UHF Helical Filter Specification Sheet

Customer Name		Temwell's Part No.	TT6706F-260M
Approval No. /dated	2008012B	Acceptable Specify Fo. Range	246~275M
Work Instruction No.	2008012B	Date	Aug. 3, 2000

<p>(1) Pin Position</p> 	<p>(2) Size Diagram</p> 
---	--

(3) Electric Character

Item	Specify	Performance
Center Freq.(Fo) +/- 0.75 %	260 MHz	260 MHz
Tunable Range	260±4 MHz	260±4 MHz
Insertion Loss	Typ. 2.5 dB	1.5 dB
-3 dB Bandwidth	Typ. 15 MHz	17 MHz
Sensitivity (Attenuation)	Fo - 30 MHz	Typ. 28 dBc
	Fo + 30 MHz	Typ. 18 dBc
	Fo - (50)MHz	Typ. 53 dBc
	Fo + (50)MHz	Typ. 29 dBc
Return Loss	Min. 12 dB	30 dB
Ripple	< 1 dB	dB
Impedance	In / Out : 50 Ω	In / Out : 50 Ω
(4) Torque for Tuning Screw	> 100gf • cm	

(5) Temperature Condition:

Operating Temperature	-30°C ~ +70°C
Storage Temperature	-30°C ~ +80°C

(6) Input Power

	> 1Watt
--	---------

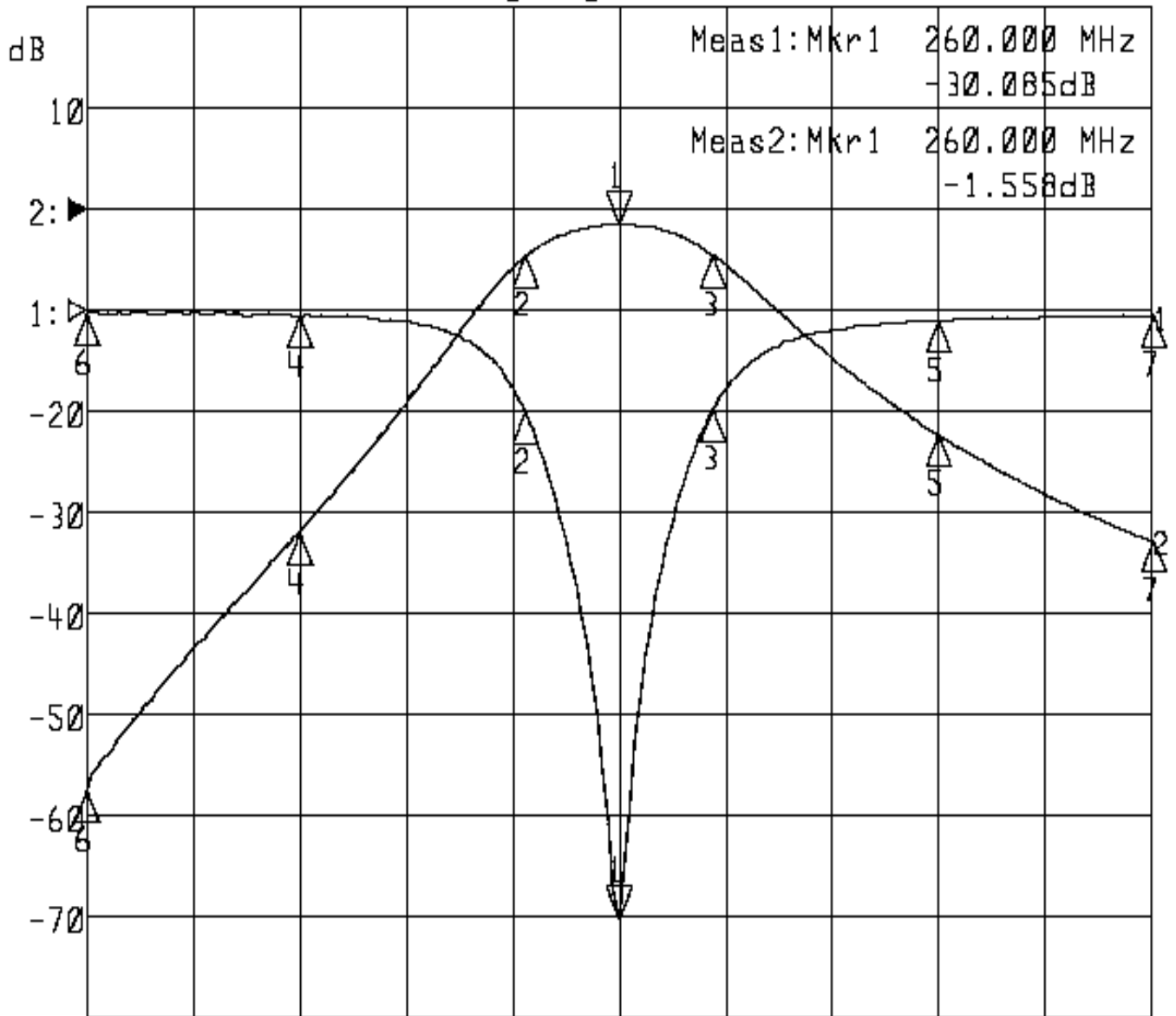
Approval	Supervisor	Designer	Aperture size
C. Y. Chang	C. S. Chang	C. S. Chang	7H3S(4*8.0) 7H024LB4

TEMWELL CORPORATION

Performance-TT6706F-260M

2008012B

▶1:S11 Refl Port1 Log Mag 5.0 dB/ Ref 0.00 dB C
 ▶2:S21 Fwd Trans Log Mag 10.0 dB/ Ref 0.00 dB C



Center 260.000 MHz

Span 100.000 MHz

1: Mkr (MHz)	dB	2: Mkr (MHz)	dB
1> 260.0000	-30.085	1> 260.0000	-1.558
2: 251.2333	-5.056	2: 251.2333	-4.616
3: 268.8333	-4.893	3: 268.8333	-4.476
4: 230.0000	-0.308	4: 230.0000	-31.923
5: 290.0000	-0.524	5: 290.0000	-22.331
6: 210.0000	-0.136	6: 210.0000	-57.465
7: 310.0000	-0.256	7: 310.0000	-32.834