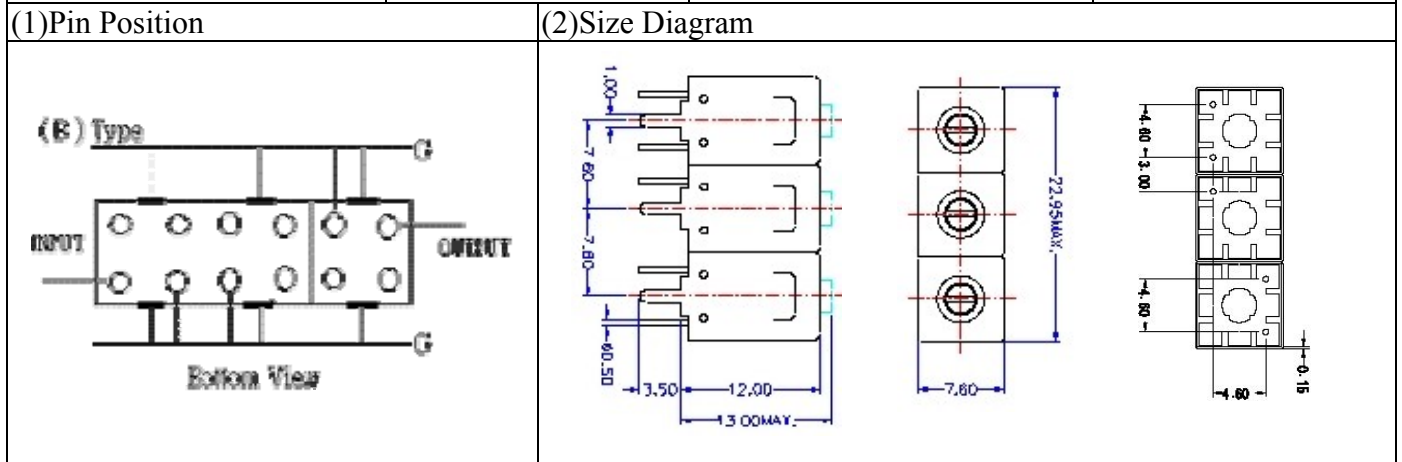


# VHF UHF Helical Filter Specification Sheet

Customer Name		Temwell's Part No.	TT6397B-352M-55M
Approval No. /dated	0711073APR	Temwell's Print name	311~355M
Work Instruction No.	0711073B	Date	Nov.30.2007



(3) Electric Charasteric

Item	Specify	Performance
Center Freq.(Fo ) +/- 0.05 %	352 MHz	352 MHz
Tunable Range:	352±3 MHz	352±3 MHz
Insertion Loss	Typ. 2.0 dB	0.75 dB
-3 dB Bandwidth	Typ. 55 MHz	57 MHz
Sensitivity (Attenuation)	Fo - 100 MHz	Typ. 41 dBc
	Fo + 100 MHz	Typ. 23 dBc
	Fo - ( )MHz	Typ. dBc
	Fo +( )MHz	Typ. dBc
Return Loss	Min. 12 dB	24.4 dB
Ripple	< 1 dB	dB
Impedance	In / Out : 50 Ω	In / Out : 50 Ω

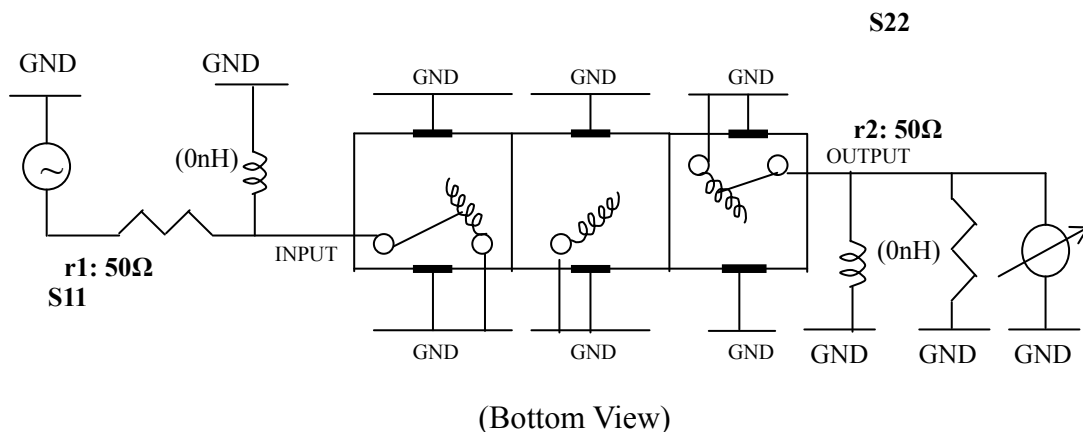
(4) Torque for Tuning Screw > 100gf • cm

(5) Temperature Condition:

Operating Temperature	0°C ~ +60°C
Storage Temperature	-20°C ~ +70°C

(6) Input Power > 1Watt

(7) Measuring Circuit: ※Easy to match Impedance S11/S22 50Ω by parallel with about(0nH) / (0nH).



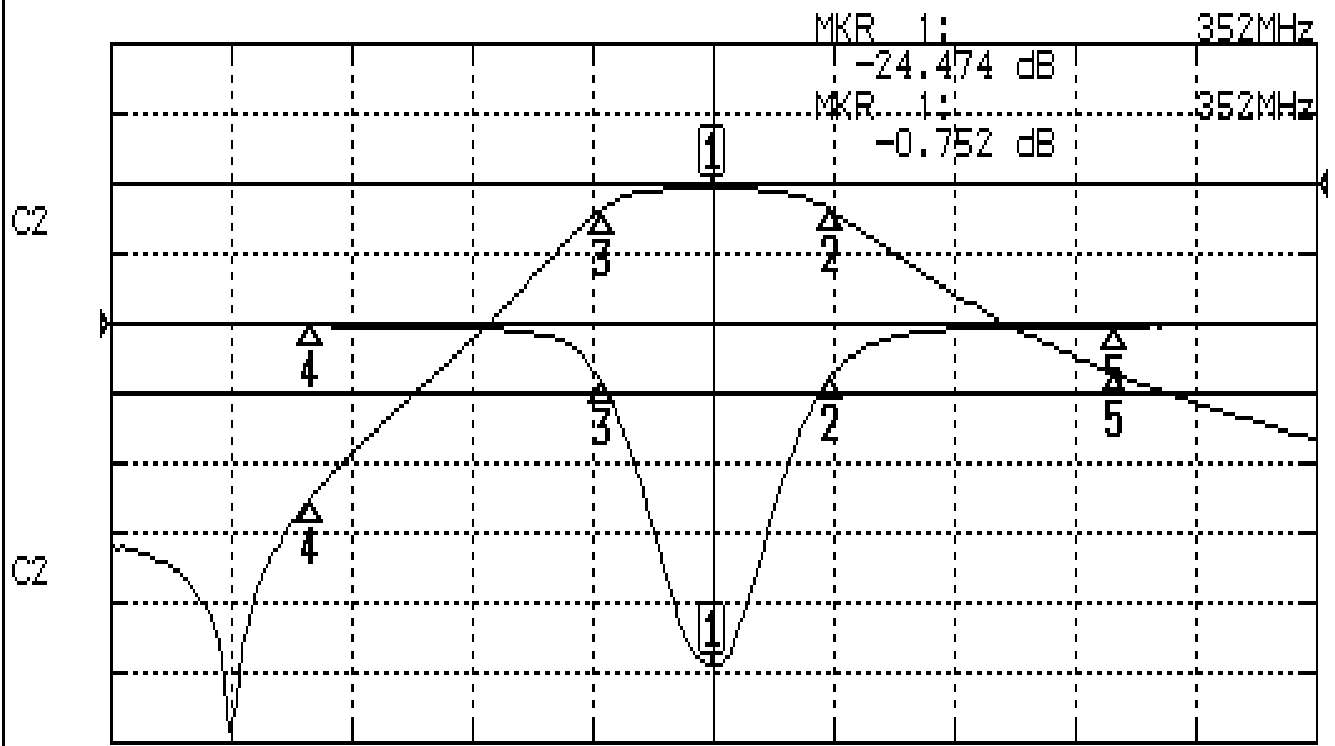
Approval	Supervisor	Designer	Aperture size
C.Y.Chang	C.S.Chang	P.H.Chiang	7H3(4*6.5)F 7H046RB6.5

TEMWELL CORPORATION

# Performance-TT6397B-352M

## 0711073B

CH1 S11 LOG MAG REF 0.000 dB 5.000 dB/  
 CH2 S21 LOG MAG REF 0.000 dB 10.000 dB/



CENTER 352MHz

[ 10.00 dBm ]

SPAN 300MHz

### CH1 MARKER LIST

1	352.000MHz	-24.474 dB
2	381.250MHz	-3.890 dB
3	324.250MHz	-4.074 dB
4	252.000MHz	-0.134 dB
5	452.000MHz	-0.159 dB

### CH2 MARKER LIST

1	352.000MHz	-0.752 dB
2	381.250MHz	-3.754 dB
3	324.250MHz	-3.720 dB
4	252.000MHz	-44.907 dB
5	452.000MHz	-27.161 dB