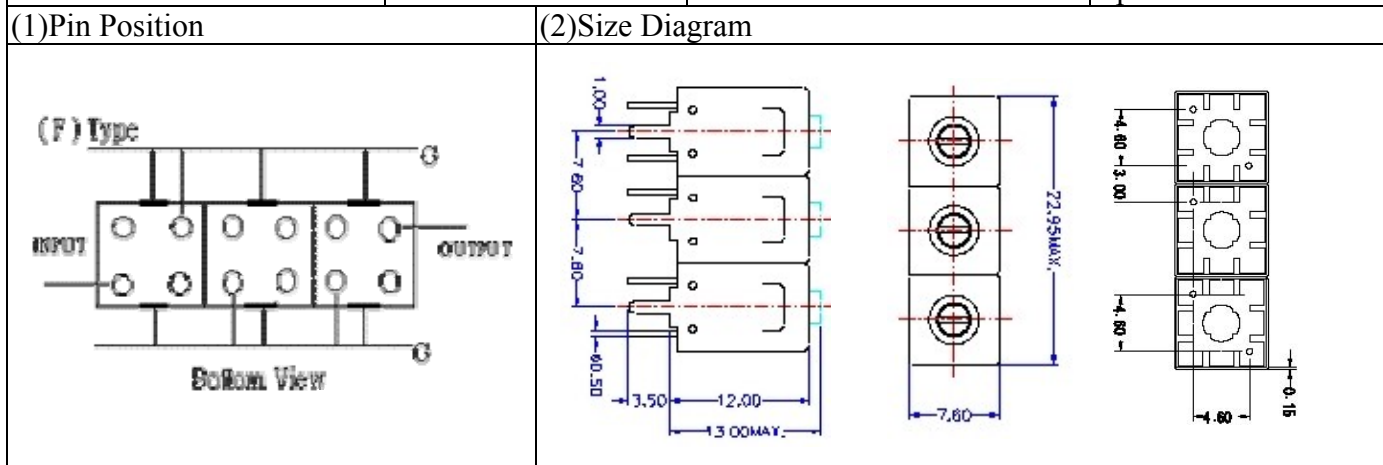


# VHF UHF Helical Filter Specification Sheet

Customer Name		Temwell's Part No.	TT6395F-450M
Approval No. /dated	0904172CD	Temwell's print name	6395F 450M
Work Instruction No.	200904172CD	Date	Apr.24.2009



(3) Electric Characteristic

Item	Specify	Performance	
Center Freq.(Fo) +/- 0.5 %	450 MHz	450 MHz	
Insertion Loss	Typ. 2.0 dB	0.64 dB	
-3 dB Bandwidth	Typ. 120 MHz	123.1 MHz	
Sensitivity (Attenuation)	Fo - 200 MHz	Typ. 56 dBc	59 dBc
	Fo + 200 MHz	Typ. 29 dBc	32 dBc
	Fo - ( )MHz	Typ. dBc	dBc
	Fo +( )MHz	Typ. dBc	dBc
Return Loss	Min. 12 dB	21.3 dB	
Ripple	< 1 dB	dB	
Impedance	In / Out : 50 Ω	In / Out : 50 Ω	
(4) Torque for Tuning Screw	> 100gf · cm		

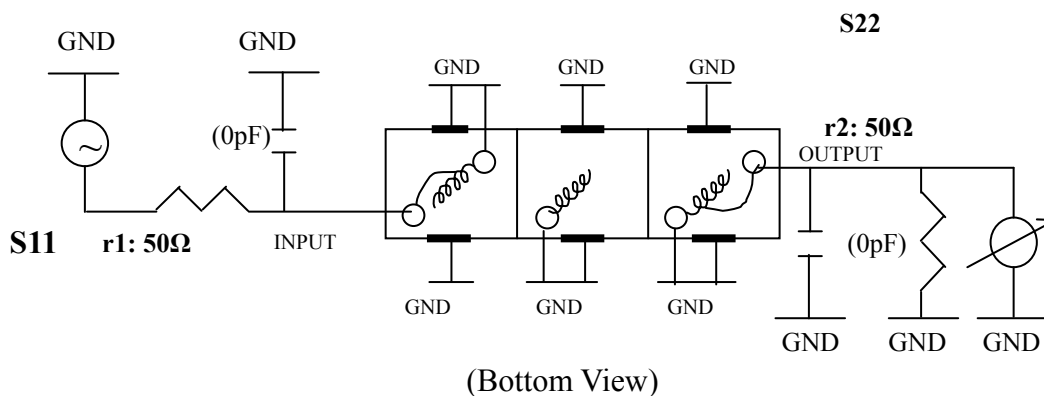
(5) Temperature Condition:

Operating Temperature	0°C ~ +60°C
Storage Temperature	-20°C ~ +70°C

(6) Input Power

> 1Watt

(7) Measuring Circuit: ※Easy to match Impedance S11/S22 50Ω by parallel with about( 0pF) / (0pF).



Approval C.Y.Chang	Supervisor C.K.Chang	Designer P.H.Chiang	Aperture size 7H3S(4*8.0)(8.02) 7H046RB6.5
-----------------------	-------------------------	------------------------	--

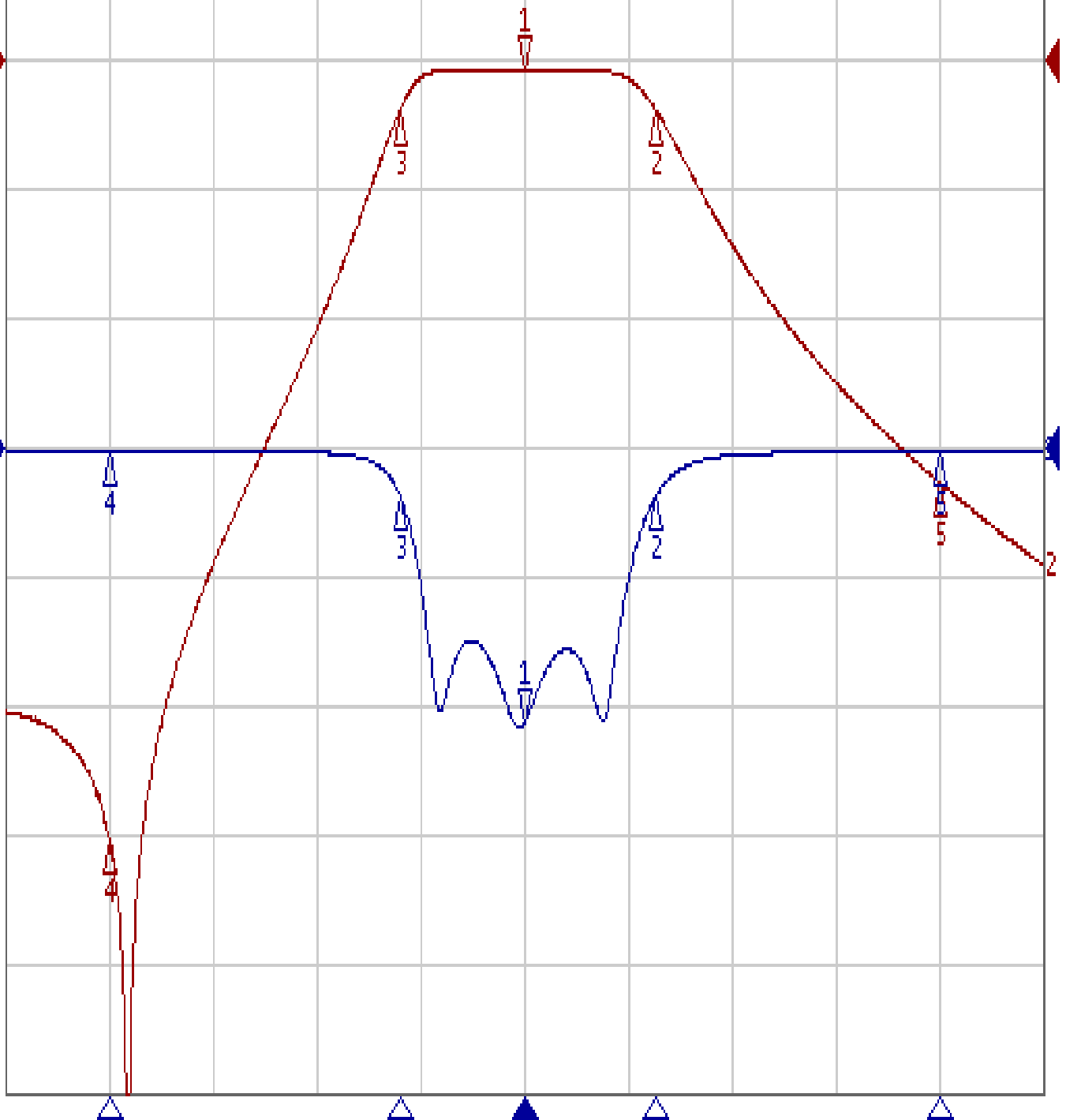
TEMWELL CORPORATION

# Performance-TT6395F-450M

## 200904172CD

▶ Tr1 S11 Log Mag 10.00dB/ Ref 0.000dB [F2]  
Tr2 S21 Log Mag 10.00dB/ Ref 0.000dB [F2]

>1	450.00000	MHz	-21.393	dB	1	450.00000	MHz	-0.6408	dB
2	513.26083	MHz	-3.7554	dB	2	513.26083	MHz	-3.7498	dB
3	390.15833	MHz	-3.6998	dB	3	390.15833	MHz	-3.7643	dB
4	250.00000	MHz	-0.1799	dB	4	250.00000	MHz	-60.418	dB
5	650.00000	MHz	-0.2947	dB	5	650.00000	MHz	-32.666	dB



1 Start 200 MHz

IFBW 10 kHz

Stop 700 MHz

Cor !