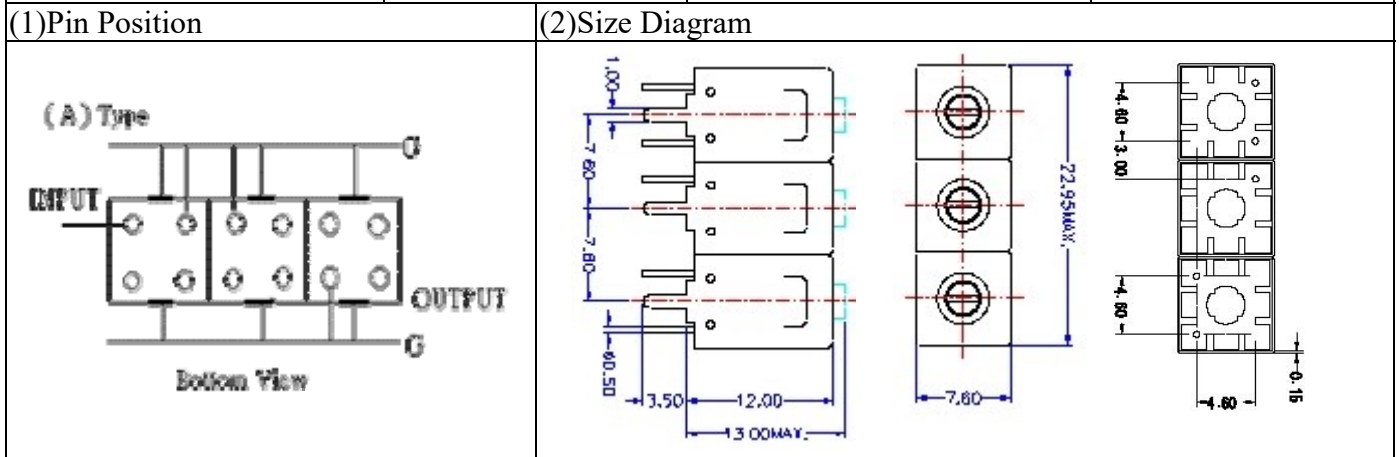


VHF UHF Helical Filter Specification Sheet

Customer Name		Temwell's Part No.	TT63945A-847M
Approval No. /dated	201901088CD	Customer's Print Name.	63945A 847M
Work Instruction No.	201901088CD	Date	Feb.21.2019



(3) Electric Chararestic

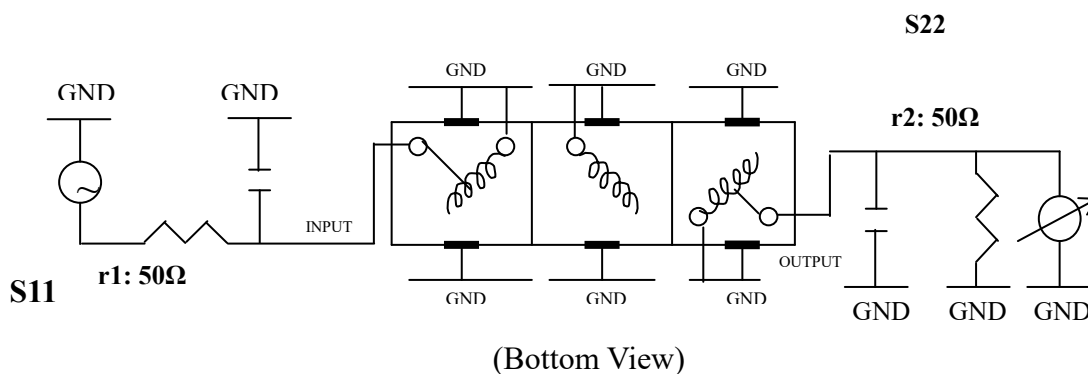
Item	Specify	Performance
Center Freq.(Fo) +/- 0.5 %	847 MHz	847 MHz
Insertion Loss	Typ. 3.0 dB	2.19 dB
-3 dB Bandwidth	Typ. 30 MHz	33.6 MHz
Sensitivity (Attenuation)	Fo - 100 MHz	Typ. 47 dBc
	Fo + 100 MHz	Typ. 33 dBc
	Fo - ()MHz	Typ. dBc
	Fo +()MHz	Typ. dBc
Return Loss	Min. 12 dB	18.2 dB
Ripple	< 1 dB	
Impedance	In / Out : 50 Ω	In / Out : 50 Ω
(4) Torque for Tuning Screw	> 60gf • cm	

(5) Temperature Condition:

Operating Temperature	-0°C ~ +60°C
Storage Temperature	-20°C ~ +70°C

(6) Input Power

(7) Measuring Circuit: ※Easy to match Impedance S11/S22 50Ω by parallel with about(---).



Approval	Supervisor	Designer	Aperture size
C.Y.Chang	C.K.Chang	P.H.Chiang	7H3S(4*5.35)(5.38) 7H046LB4.3 聚 3/7H046LB5

TEMWELL CORPORATION

Performance-TT63945A-847M

201901088CD

