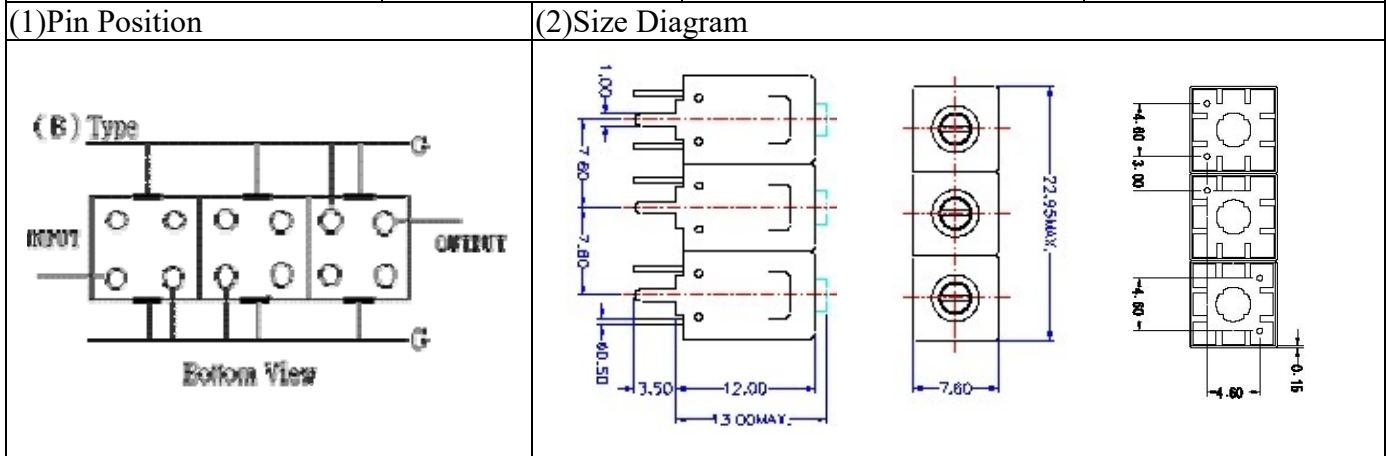


VHF UHF Helical Filter Specification Sheet

Customer Name		Temwell's Part No.	TT63941B-1496.5M
Approval No. /dated	201901060CD	Temwell's Print name.	63941B 1496.5M
Work Instruction No.	201901060CD	Date	Mar.07.2019



(3) Electric Characteristic

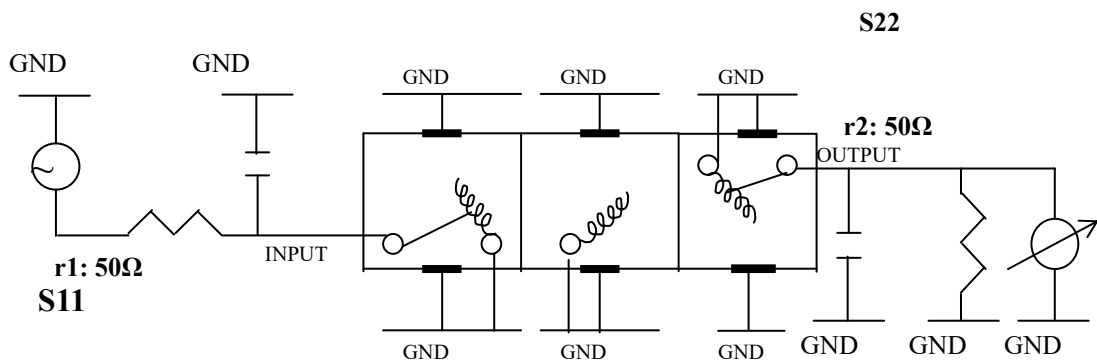
Item	Specify	Performance	
Center Freq.(Fo) +/- 0.5 %	1496.5 MHz	1496.5 MHz	
Insertion Loss	Typ. 3.5 dB	2.53 dB	
-3 dB Bandwidth	Typ. 43 MHz	47.9 MHz	
Sensitivity (Attenuation)	Fo - 100 MHz	Typ. 39 dBc	44 dBc
	Fo + 100 MHz	Typ. 26 dBc	31 dBc
	Fo - () MHz	Typ. dBc	dBc
	Fo + () MHz	Typ. dBc	dBc
Return Loss	Min. 12 dB	31.5 dB	
Ripple	< 1 dB	dB	
Impedance	In / Out : 50 Ω	In / Out : 50 Ω	
(4) Torque for Tuning Screw	> 60gf • cm		

(5) Temperature Condition:

Operating Temperature	0°C ~ +60°C
Storage Temperature	-20°C ~ +70°C

(6) Input Power

(7) Measuring Circuit: ※Easy to match Impedance S11/S22 50Ω by parallel with about (--) .



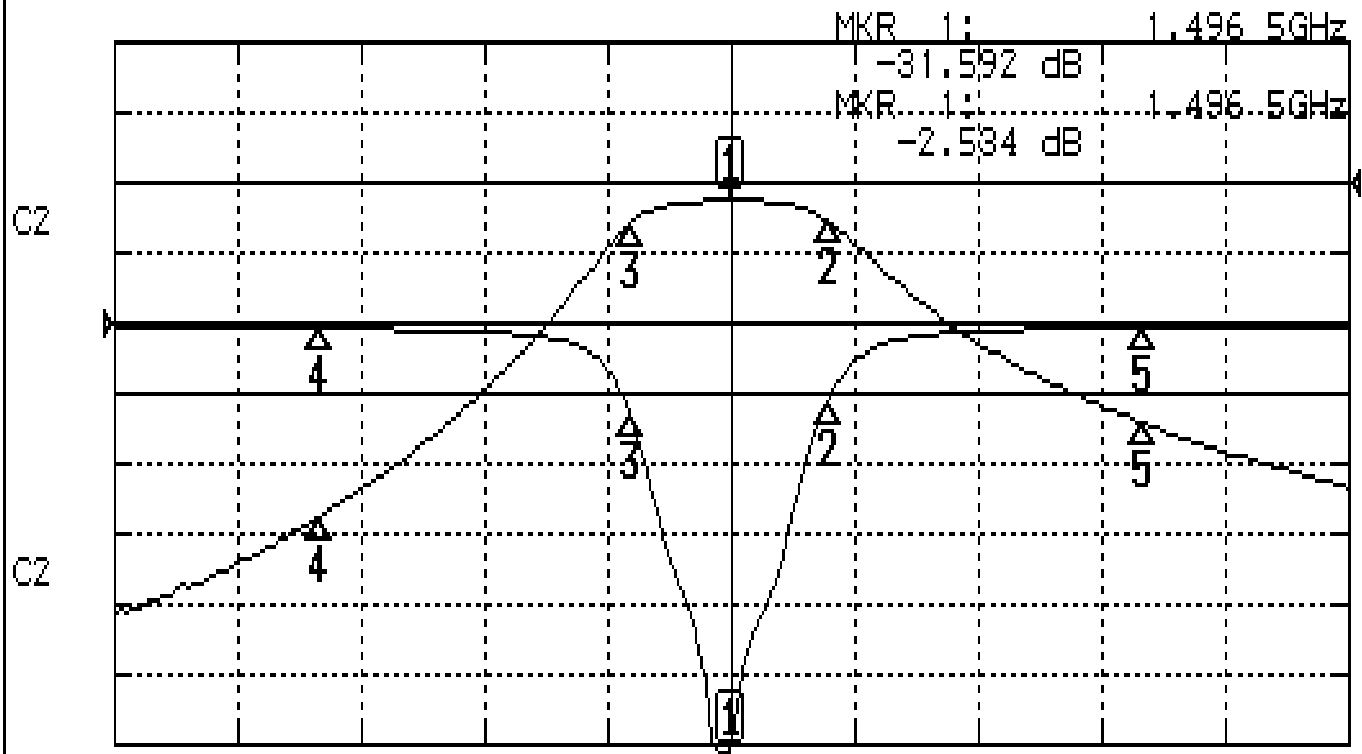
Approval	Supervisor	Designer	Aperture size
C.Y.Chang	C.K.Chang	C.H.Yeh	7H3S(4*8.0)(8.06) 7H046RB4.3 聚 3(J1)

TEMWELL CORPORATION

Performance-TT63941B-1496.5M

201901060CD

CH1 S11 LOG MAG REF 0.000 dB 5.000 dB/
CH2 S21 LOG MAG REF 0.000 dB 10.000 dB/



CENTER 1.496 5GHz

[10.00 dBm]

SPAN 300MHz

CH1 MARKER LIST

1:	1.496	500GHz	-31.592	dB
2:	1.520	250GHz	-1.538	dB
3:	1.472	350GHz	-1.608	dB
4:	1.396	500GHz	-0.389	dB
5:	1.596	500GHz	-0.383	dB

CH2 MARKER LIST

1:	1.496	500GHz	-2.534	dB
2:	1.520	250GHz	-1.563	dB
3:	1.472	350GHz	-1.571	dB
4:	1.396	500GHz	-47.444	dB
5:	1.596	500GHz	-34.153	dB