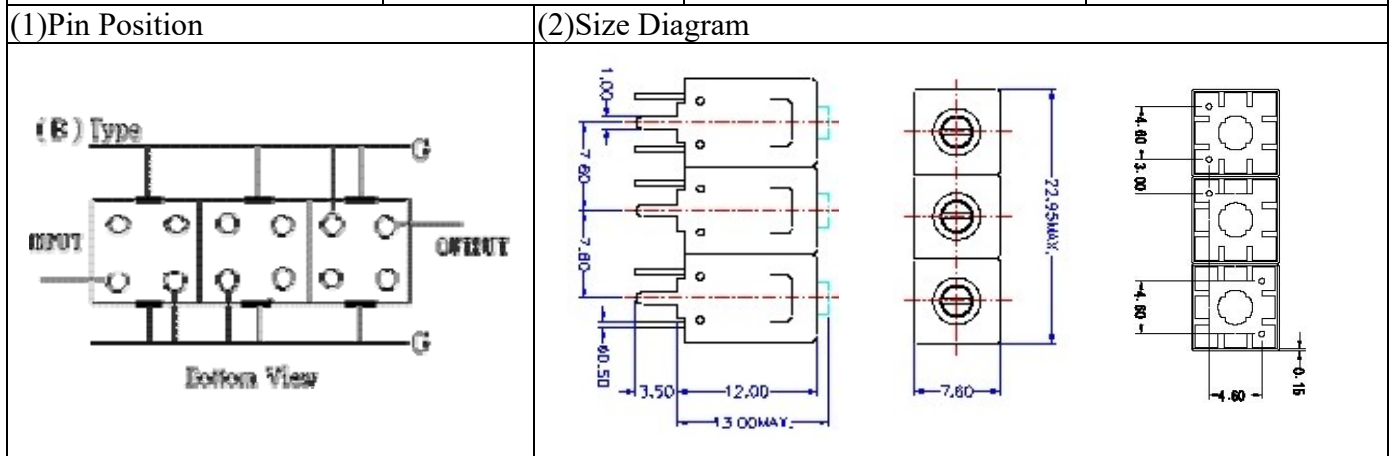


VHF UHF Helical Filter Specification Sheet

Customer Name		Temwell's Part No.	TT63940B-1474M
Approval No. /dated	201901059CD	Temwell's Print name.	63940B 1474M
Work Instruction No.	201901059CD	Date	Mar.08.2019



(3) Electric Chararctic

Item	Specify	Performance	
Center Freq.(Fo) +/- 0.5 %	1474 MHz	1474 MHz	
Insertion Loss	Typ. 3.5 dB	2.48 dB	
-3 dB Bandwidth	Typ. 44 MHz	49.2 MHz	
Sensitivity (Attenuation)	Fo - 100 MHz	Typ. 41 dBc	46 dBc
	Fo + 100 MHz	Typ. 28 dBc	33 dBc
	Fo - () MHz	Typ. dBc	dBc
	Fo + () MHz	Typ. dBc	dBc
Return Loss	Min. 12 dB	27.0 dB	
Ripple	< 1 dB	dB	
Impedance	In / Out : 50 Ω	In / Out : 50 Ω	
(4) Torque for Tuning Screw	> 60gf · cm		

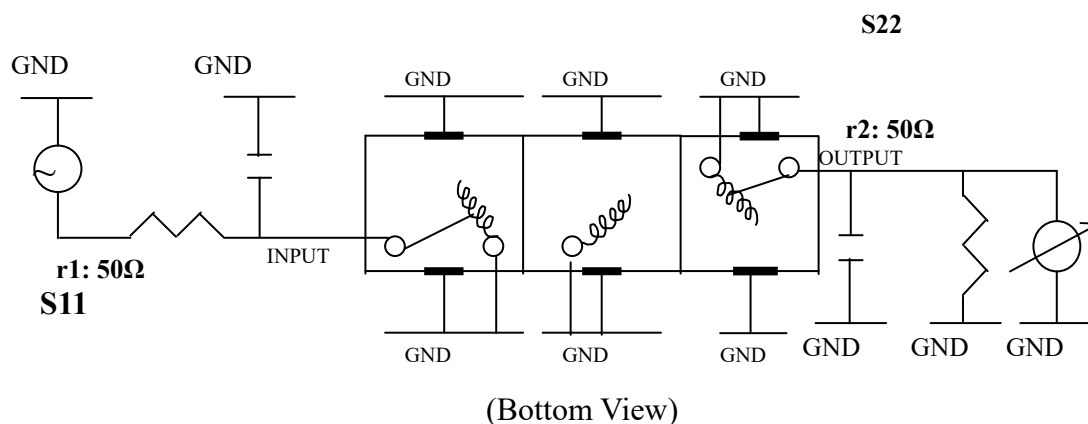
(5) Temperature Condition:

Operating Temperature	0°C ~ +60°C
Storage Temperature	-20°C ~ +70°C

(6) Input Power

	> 1Watt
--	---------

(7) Measuring Circuit: ※Easy to match Impedance S11/S22 50Ωby parallel with about (--).



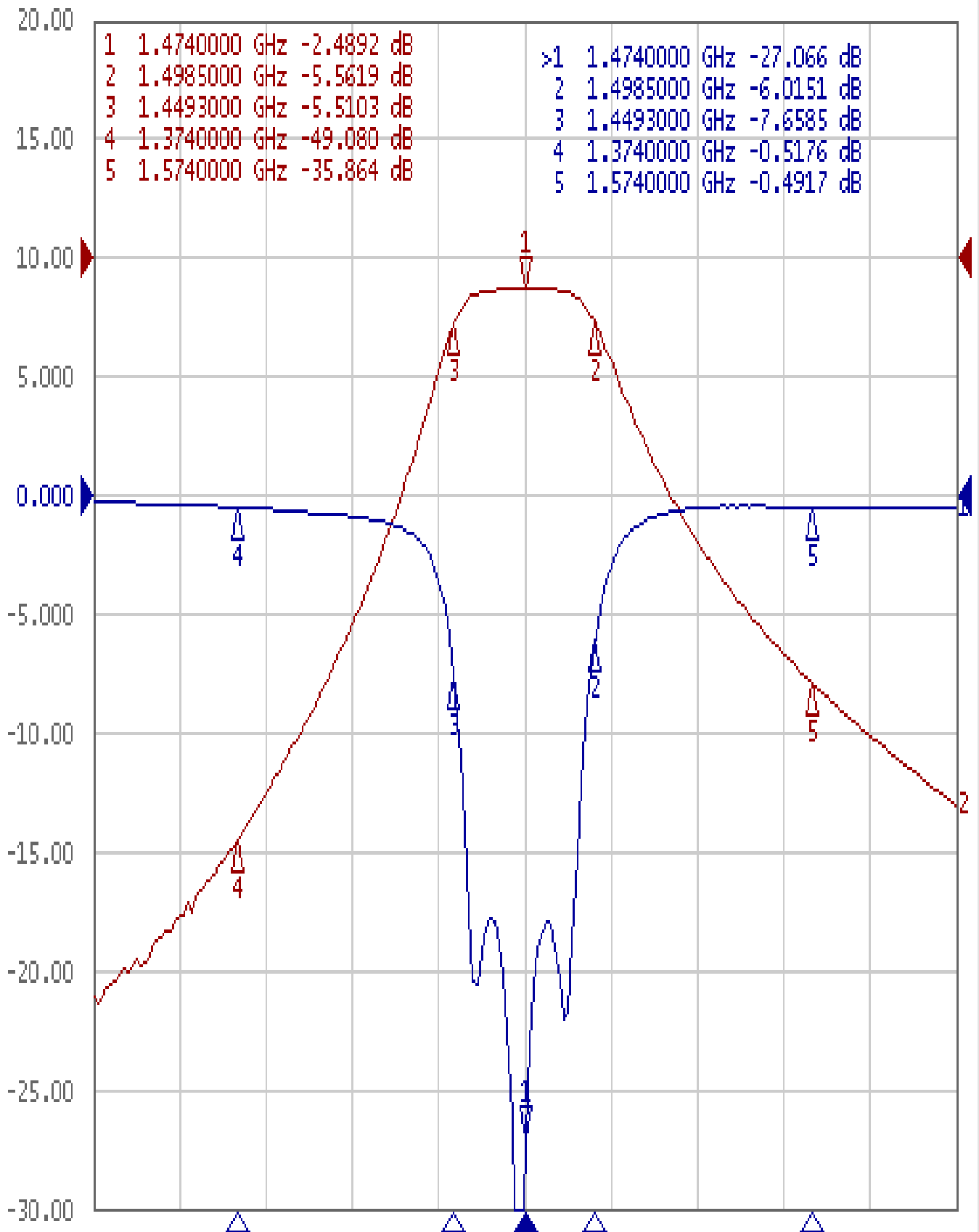
Approval C.Y.Chang	Supervisor C.K.Chang	Designer W.W.Wang	Aperture size 7H3S(4*8.0)(8.02) 7H046RB4.3 聚 3(J1)
-----------------------	-------------------------	----------------------	--

TEMWELL CORPORATION

Performance-TT63940B-1474M

201901059CD

▶ Tr1 S11 Log Mag 5.000dB/ Ref 0.000dB [F2]
Tr2 S21 Log Mag 10.00dB/ Ref 0.000dB [F2]



1 Center 1.474 GHz

IFBW 70 kHz

Span 300 MHz

Cor !