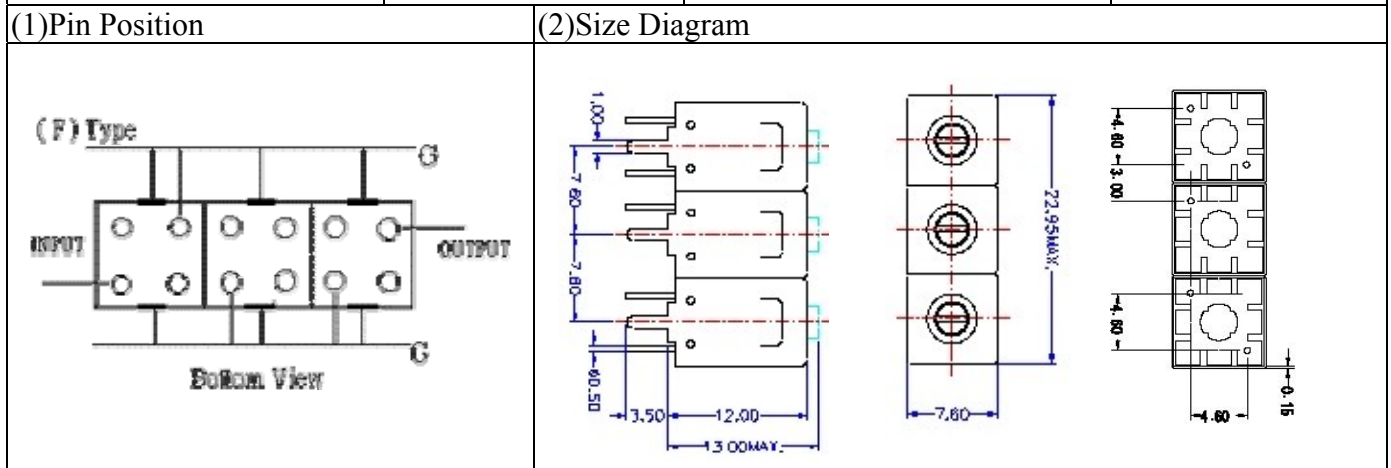


VHF UHF Helical Filter Specification Sheet

Customer Name		Temwell's Part No.	TT6393F-530M
Approval No. /dated	0703139DC	Acceptable Specify Fo Range	516~555MHz
Work Instruction No.	0703139DC	Date	Mar.14.2007



(3) Electric Characteristic

Item	Specify	Performance
Center Freq.(Fo) +/- 0.5 %	530 MHz	530 MHz
Insertion Loss	Typ. 2.0 dB	0.90 dB
-3 dB Bandwidth	Typ. 120 MHz	128.7 MHz
Sensitivity (Attenuation)	Fo - 200 MHz	Typ. 43 dBc
	Fo + 200 MHz	Typ. 25 dBc
	Fo - ()MHz	Typ. dBc
	Fo +()MHz	Typ. dBc
Return Loss	Min. 12 dB	34.5 dB
Ripple	< 1 dB	dB
Impedance	In / Out : 50 Ω	In / Out : 50 Ω

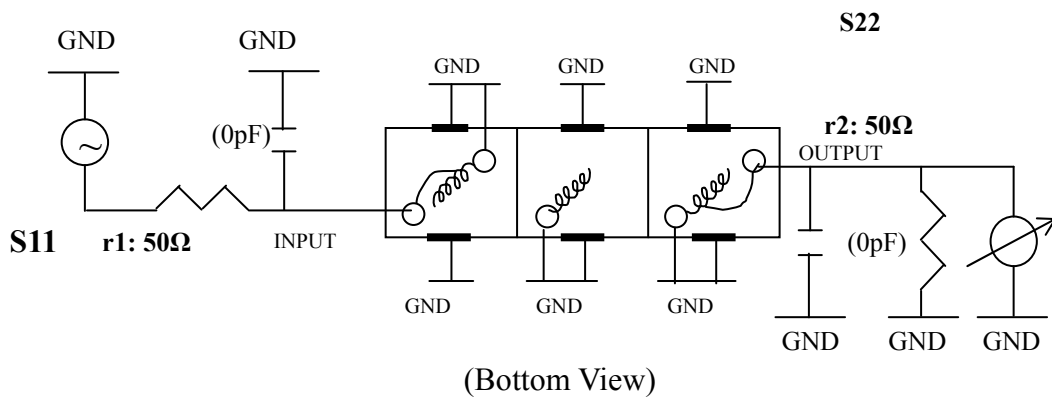
(4) Torque for Tuning Screw > 100gf · cm

(5) Temperature Condition:

Operating Temperature	0°C ~ +60°C
Storage Temperature	20°C ~ +70°C

(6) Input Power > 1Watt

(7) Measuring Circuit: ※Easy to match Impedance S11/S22 50Ω/ by parallel with about(0pF) / (0 pF).



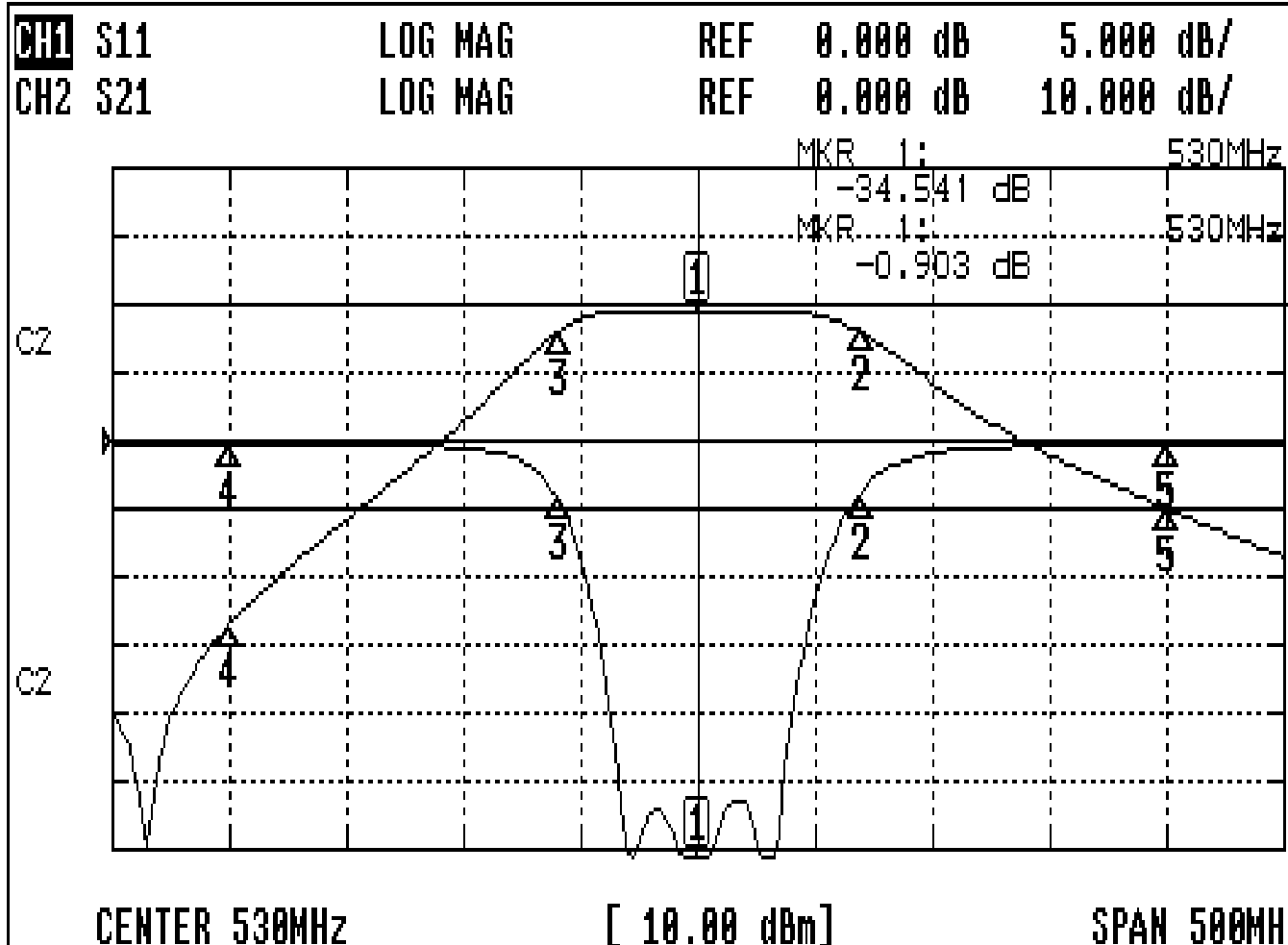
Approval	Supervisor	Designer	Aperture size
C.Y.Chang	C.S.Chang	P.H.Chiang	7H3S(4*8.0) 7J046RB6.5

TEMWELL CORPORATION

TEMWELL RP(P.H)

Performance-TT6393F-530M

0703139DC



CH1 MARKER LIST

1:	530.000MHz	-34.563	dB
2:	599.166MHz	-3.885	dB
3:	470.416MHz	-4.305	dB
4:	330.000MHz	-0.202	dB
5:	730.000MHz	-0.338	dB

CH2 MARKER LIST

1:	530.000MHz	-0.903	dB
2:	599.166MHz	0.000	dB
3:	470.416MHz	0.000	dB
4:	330.000MHz	-47.149	dB
5:	730.000MHz	-29.934	dB