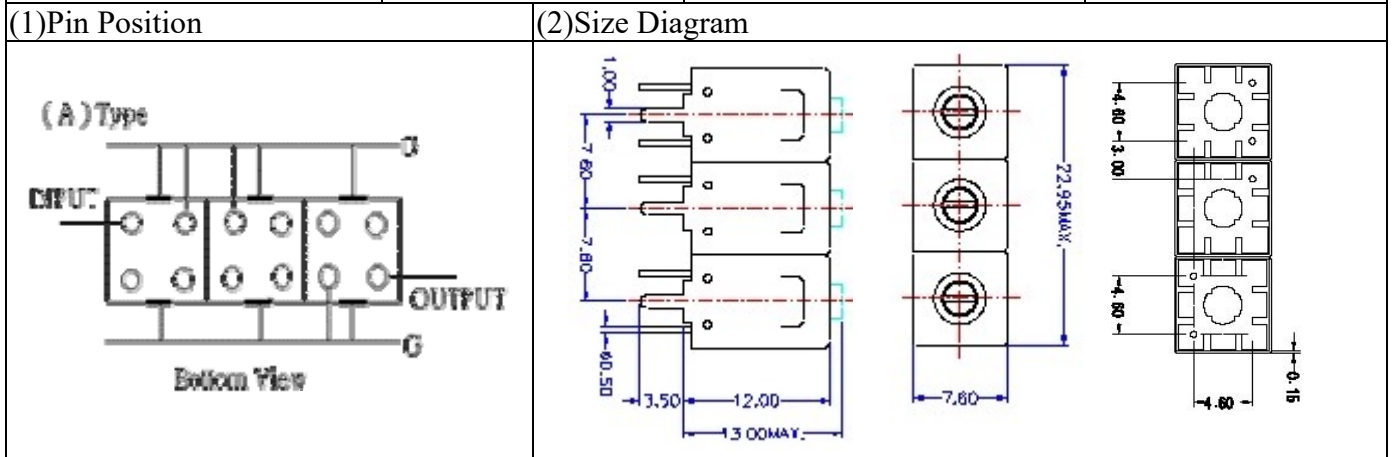


VHF UHF Helical Filter Specification Sheet

Customer Name		Temwell's Part No.	TT63939A-1474.5M
Approval No. /dated	201901058CD	Customer's Print Name.	63939A 1474.5M
Work Instruction No.	201901058CD	Date	Mar.14.2019



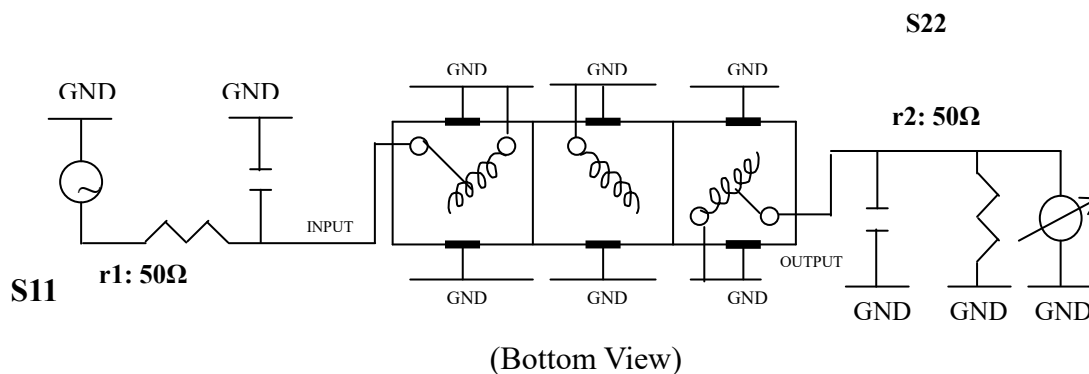
(3) Electric Chararistic		Specify	Performance
Center Freq.(Fo) +/- 0.5 %		1474.5 MHz	1474.5 MHz
Insertion Loss		Typ. 3.0 dB	2.05 dB
-3 dB Bandwidth		Typ. 85 MHz	92.5 MHz
Sensitivity (Attenuation)	Fo - 150 MHz	Typ. 37 dBc	42 dBc
	Fo + 150 MHz	Typ. 23 dBc	28 dBc
	Fo - ()MHz	Typ. dBc	dBc
	Fo +()MHz	Typ. dBc	dBc
Return Loss		Min. 12 dB	17.6 dB
Ripple		< 1 dB	dB
Impedance		In / Out : 50 Ω	In / Out : 50 Ω

(4) Torque for Tuning Screw > 60gf · cm

(5) Temperature Condition:
 Operating Temperature -0°C ~ +60°C
 Storage Temperature -20°C ~ +70°C

(6) Input Power > 1Watt

(7) Measuring Circuit: ※Easy to match Impedance S11/S22 50Ω by parallel with about(---).



Approval	Supervisor	Designer	Aperture size
C.Y.Chang	C.K.Chang	W.W.Wang	7H3S(4*8.0)(8.03) 7H046LB5.5(J1)

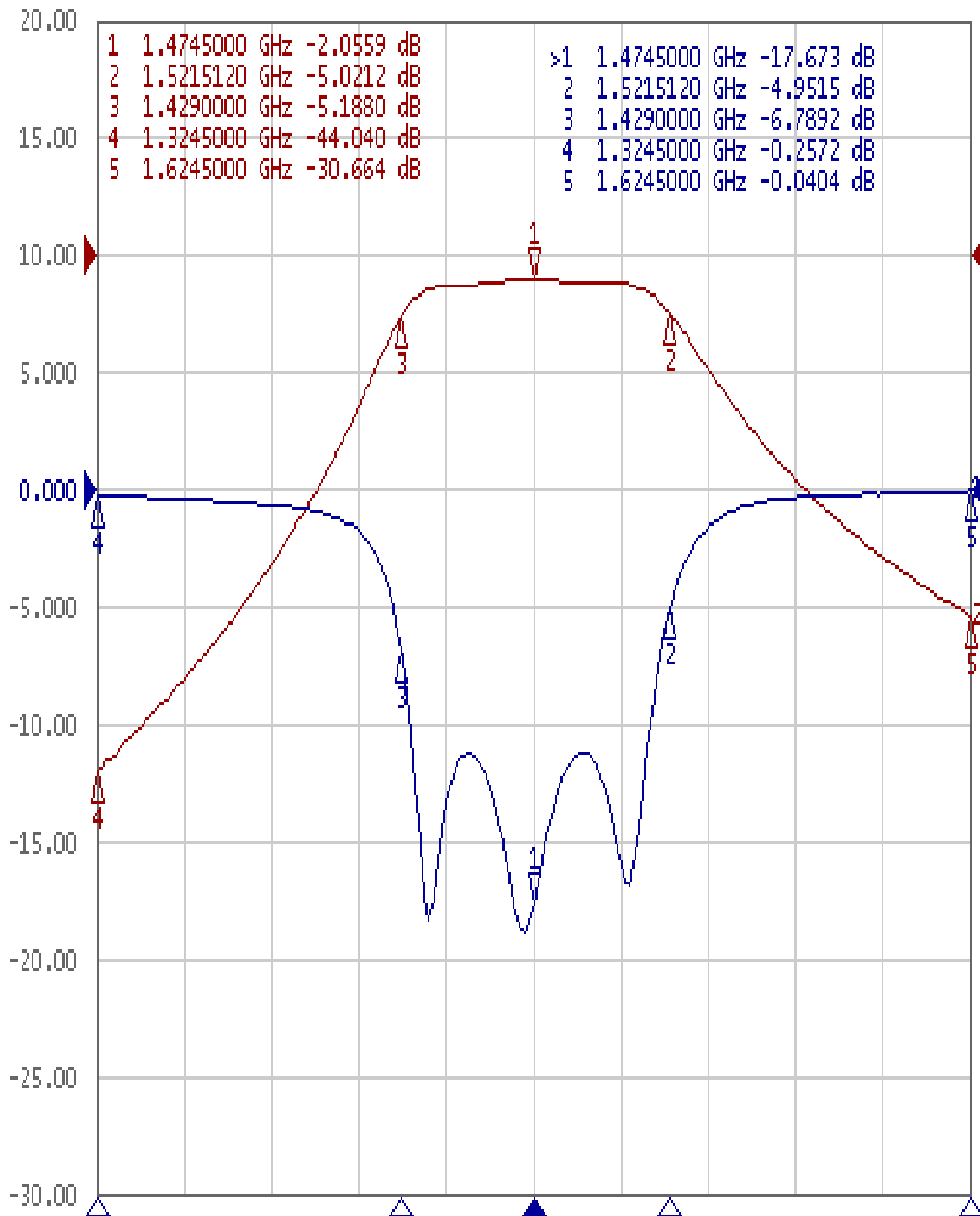
TEMWELL CORPORATION

Performance-TT63939A-1474.5M

201901058CD

Tr1 S11 Log Mag 5.000dB/ Ref 0.000dB [F2]

Tr2 S21 Log Mag 10.00dB/ Ref 0.000dB [F2]



1 Center 1.4745 GHz

IFBW 70 kHz

Span 300 MHz

Cor !