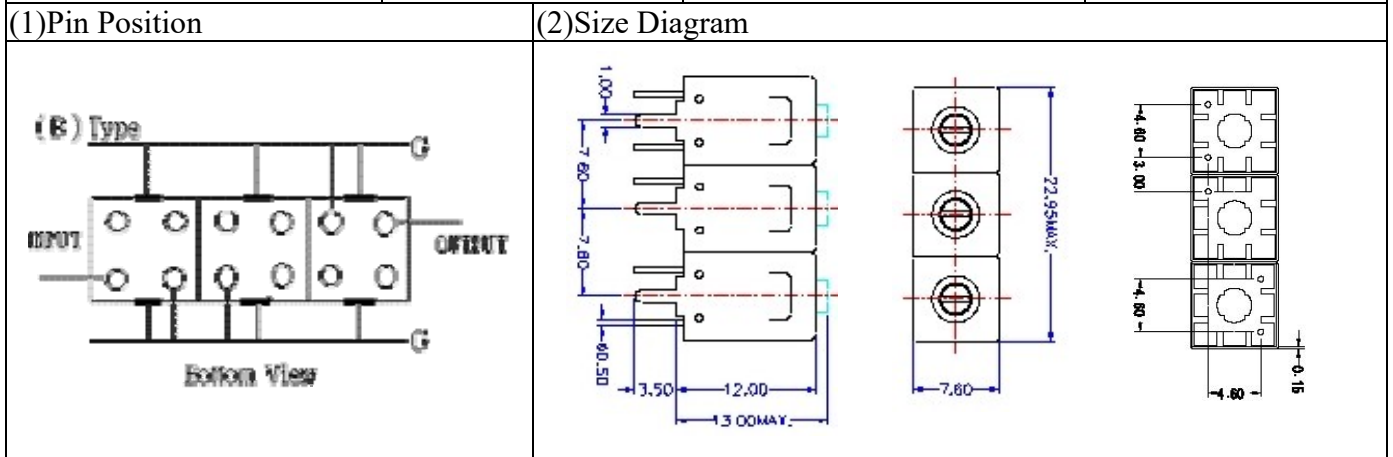


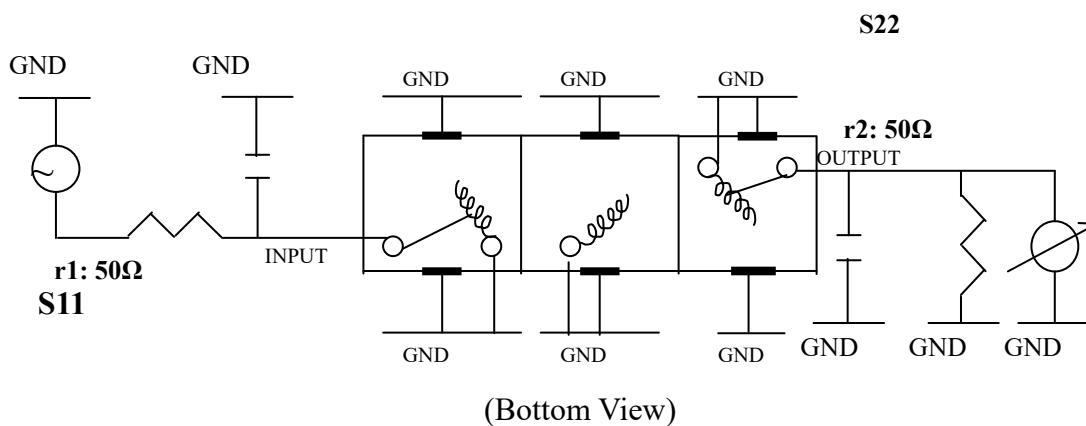
VHF UHF Helical Filter Specification Sheet

Customer Name		Temwell's Part No.	TT63937B-1448.5M
Approval No. /dated	201901056CD	Temwell's Print name.	63937B 1448.5M
Work Instruction No.	201901056CD	Date	Mar.08.2019



(3) Electric Charasteric			
Item	Specify	Performance	
Center Freq.(Fo) +/- 0.5 %	1448.5 MHz	1448.5 MHz	
Insertion Loss	Typ. 3.5 dB	2.42 dB	
-3 dB Bandwidth	Typ. 43 MHz	51.2 MHz	
Sensitivity (Attenuation)	Fo - 100 MHz	Typ. 37 dBc	42 dBc
	Fo + 100 MHz	Typ. 27 dBc	32 dBc
	Fo - () MHz	Typ. dBc	dBc
	Fo + () MHz	Typ. dBc	dBc
Return Loss	Min. 12 dB	24.1 dB	
Ripple	< 1 dB	dB	
Impedance	In / Out : 50 Ω	In / Out : 50 Ω	
(4) Torque for Tuning Screw		> 60gf · cm	
(5) Temperature Condition:			
Operating Temperature	0°C ~ +60°C		
Storage Temperature	-20°C ~ +70°C		
(6) Input Power		> 1Watt	

(7) Measuring Circuit: ※Easy to match Impedance S11/S22 50Ω by parallel with about (-) .



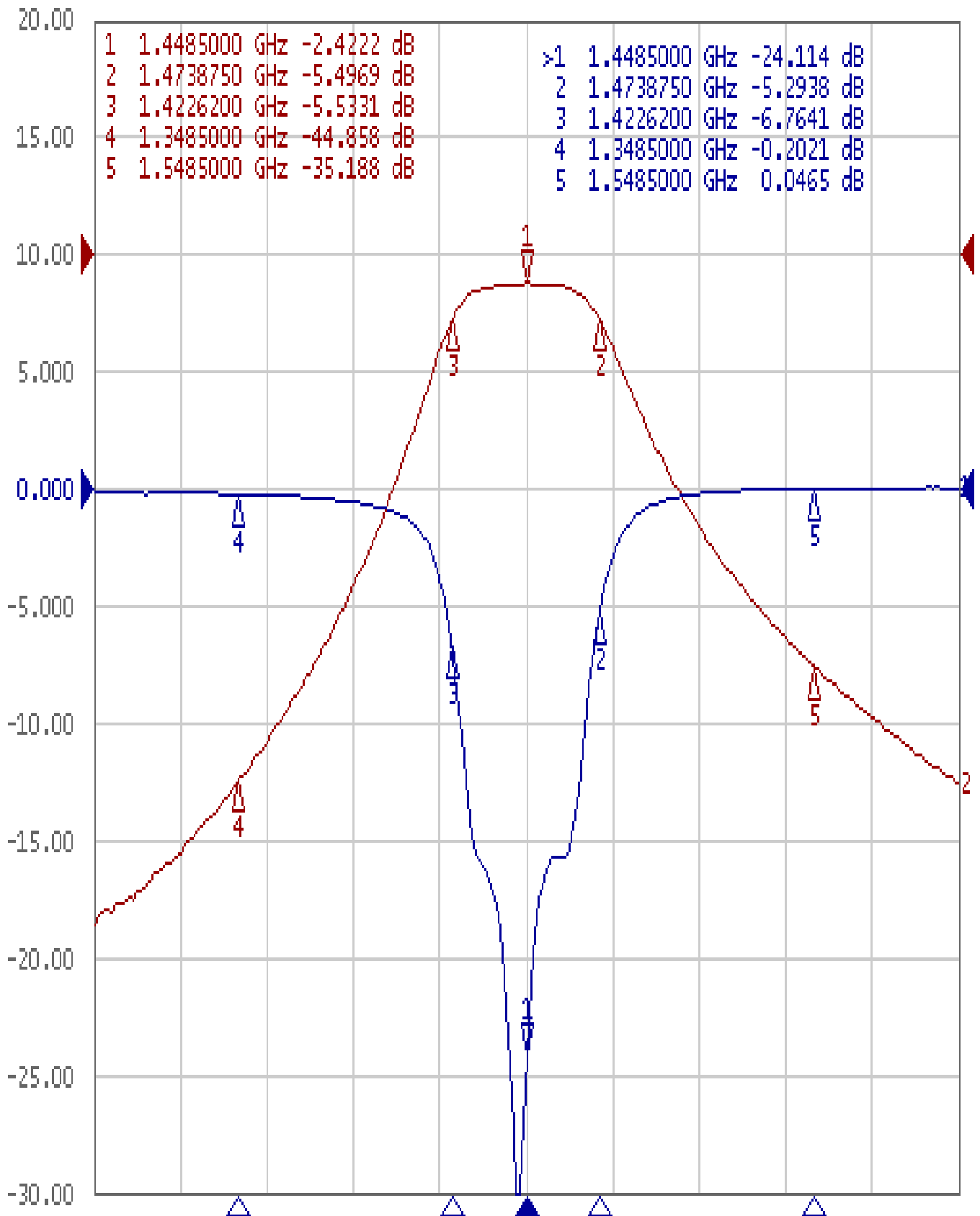
Approval C.Y.Chang	Supervisor C.K.Chang	Designer W.W.Wang	Aperture size 7H3S(4*6.5)(6.53) 7H046RB4.3 聚 3/7H046RB5.5(J1)
-----------------------	-------------------------	----------------------	---

TEMWELL CORPORATION

Performance-TT63937B-1448.5M

201901056CD

▶ Tr1 S11 Log Mag 5.000dB/ Ref 0.000dB [F2]
Tr2 S21 Log Mag 10.00dB/ Ref 0.000dB [F2]



1 Center 1.4485 GHz

IFBW 70 kHz

Span 300 MHz Cor !