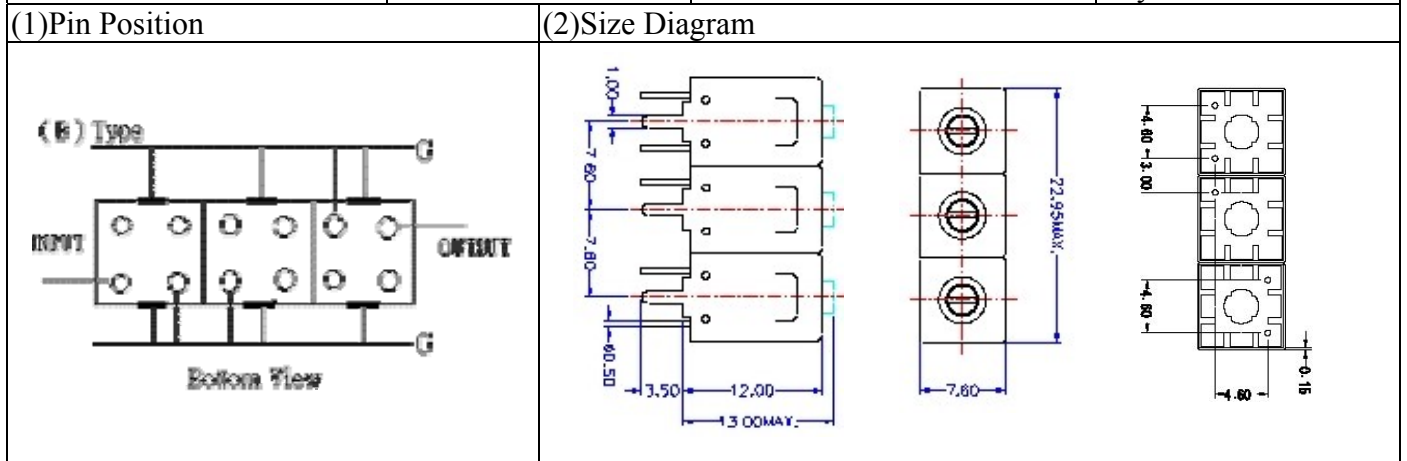


# VHF UHF Helical Filter Specification Sheet

Customer Name		Temwell's Part No.	TT6392B-191.5M
Approval No. /dated	0703133APR	Customer's Print Name.	166~195M
Work Instruction No.	0705078A	Date	July.26.2007



(3) Electric Character

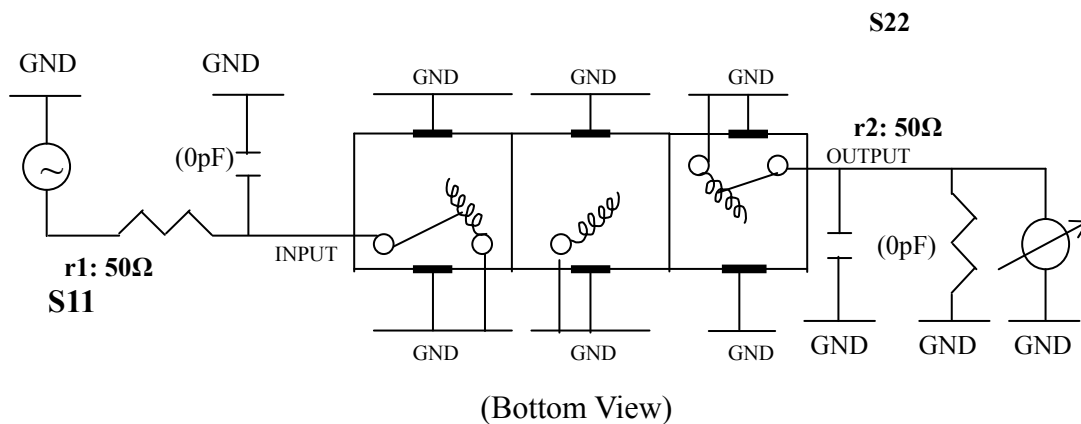
Item	Specify	Performance	
Center Freq.(Fo) +/- 0.05 %	191.5 MHz	191.5 MHz	
Tunable Range:	191.5±2 MHz	191.5±2 MHz	
Insertion Loss	Typ. 2.0 dB	0.56 dB	
-3 dB Bandwidth	Typ. 52 MHz	53.2 MHz	
Sensitivity (Attenuation)	Fo - 100 MHz	Typ. 43 dBc	47 dBc
	Fo + 100 MHz	Typ. 32 dBc	35 dBc
	Fo - ( )MHz	Typ. dBc	dBc
	Fo +( )MHz	Typ. dBc	dBc
Return Loss	Min. 12 dB	30.8 dB	
Ripple	< 1 dB	dB	
Impedance	In / Out : 50 Ω	In / Out : 50 Ω	
(4) Torque for Tuning Screw	> 100gf · cm		

(5) Temperature Condition:

Operating Temperature	0°C ~ +60°C
Storage Temperature	-20°C ~ +70°C

(6) Input Power > 1Watt

(7) Measuring Circuit: ※Easy to match Impedance S11/S22 50Ω by parallel with about(0pF) / (0pF).



Approval C.Y.Chang	Supervisor C.S.Chang	Designer J.F.Lin	Aperture size 7H3S(4*8.0)(8.03)F 7H046RB6.5
-----------------------	-------------------------	---------------------	---

TEMWELL CORPORATION

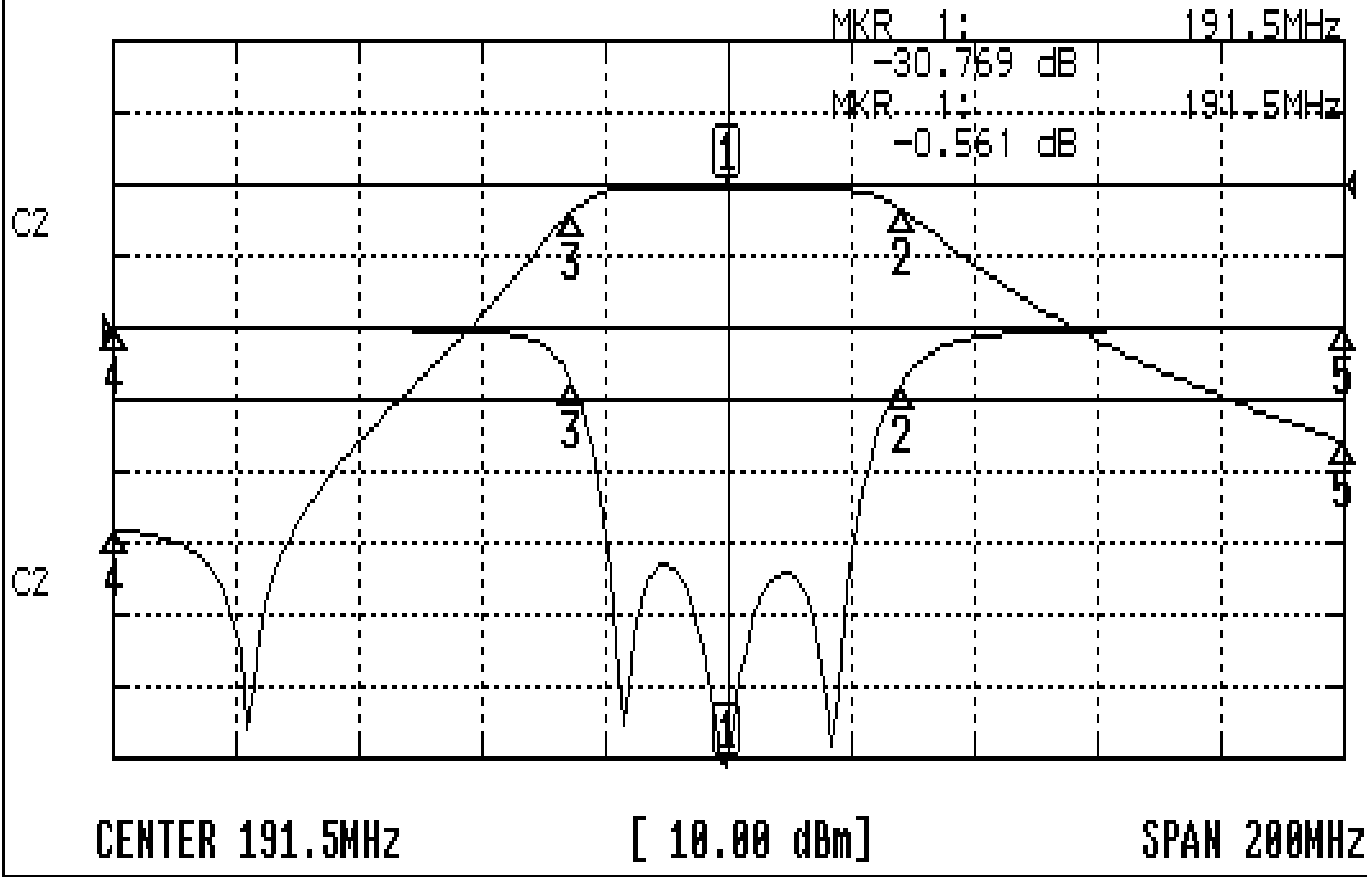
TEMWELL

Form10-7H3B Vision D RP (J.F.Lin)

# Performance-TT6392B-191.5M

## 0705078A

**CH1** S11                      LOG MAG                      REF    0.000 dB            5.000 dB/  
**CH2** S21                      LOG MAG                      REF    0.000 dB            10.000 dB/



### CH1 MARKER LIST

1:	191.500MHz	-30.801 dB
2:	219.500MHz	-1.969 dB
3:	166.333MHz	-1.856 dB
4:	91.500MHz	-0.042 dB
5:	291.500MHz	-0.082 dB

### CH2 MARKER LIST

1:	191.500MHz	-0.561 dB
2:	219.500MHz	-1.406 dB
3:	166.333MHz	-1.584 dB
4:	91.500MHz	-4.013 dB
5:	291.500MHz	-5.898 dB