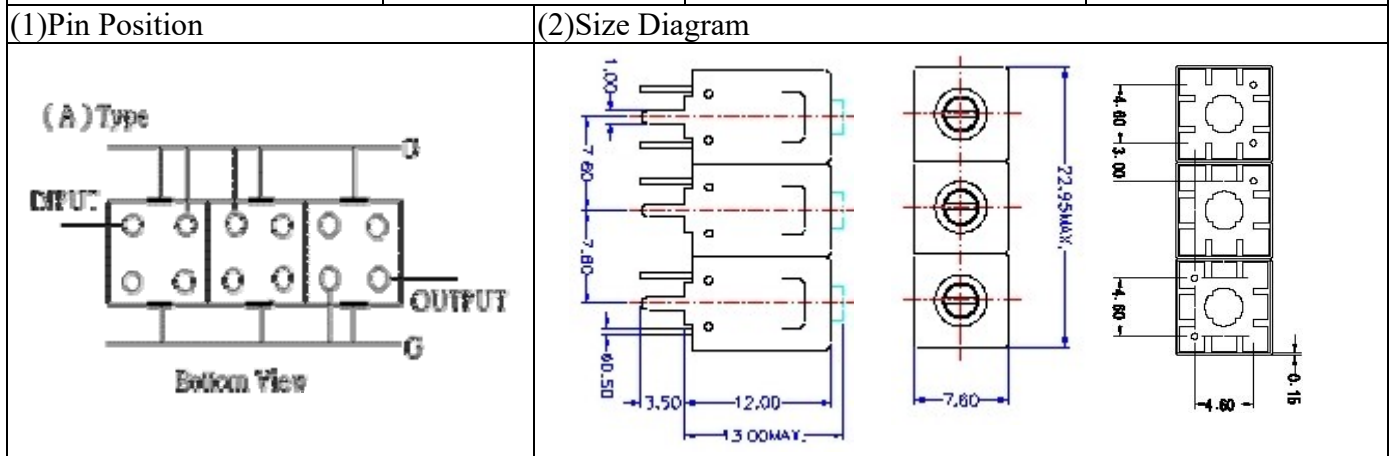


VHF UHF Helical Filter Specification Sheet

Customer Name		Temwell's Part No.	TT63925A-888M
Approval No. /dated	201901044CD	Customer's Print Name.	63925A 888M
Work Instruction No.	201901044CD	Date	Jan.30.2019



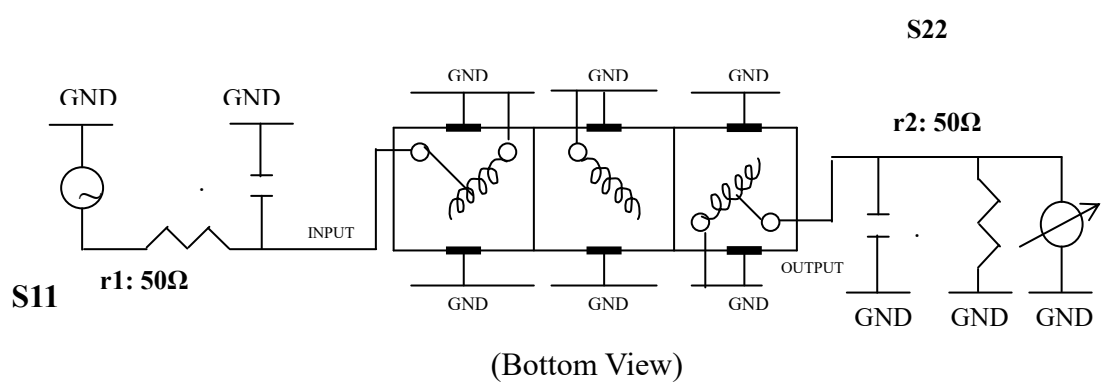
(3)Electric Chararistic		Specify	Performance
Item			
Center Freq.(Fo) +/- 0.5 %		888 MHz	888 MHz
Insertion Loss		Typ. 10 dB	8.97 dB
-3 dB Bandwidth		Typ. 2 MHz	7.9 MHz
Sensitivity (Attenuation)	Fo - 50 MHz	Typ. 49 dBc	54 dBc
	Fo + 50 MHz	Typ. 48 dBc	53 dBc
	Fo - ()MHz	Typ. dBc	dBc
	Fo +()MHz	Typ. dBc	dBc
Return Loss		Min. 12 dB	22.6 dB
Ripple		< 1 dB	dB
Impedance		In / Out : 50 Ω	In / Out : 50 Ω

(4)Torque for Tuning Screw > 60gf · cm

(5)Temperature Condition:	
Operating Temperature	0°C ~ +60°C
Storage Temperature	-20°C ~ +70°C

(6)Input Power > 1Watt

(7)Measuring Circuit: ※Easy to match Impedance S11/S22 50Ω by parallel with about(--).



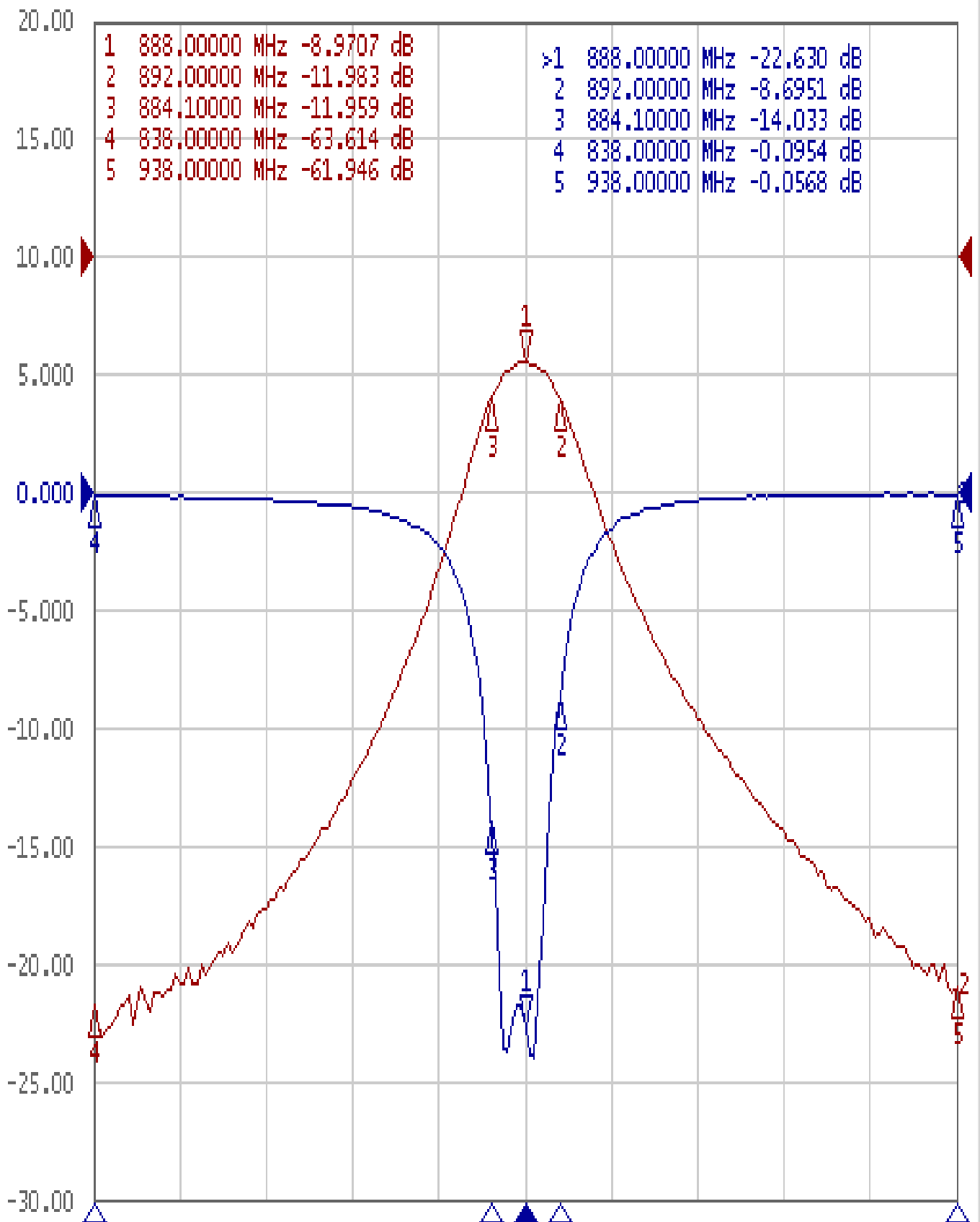
Approval	Supervisor	Designer	Aperture size
C.Y.Chang	C.K.Chang	W.W.Wang	7H3S(4*4.5)(4.55)(J1) 7H046LB4.3 聚 3

TEMWELL CORPORATION

Performance-TT63925A-888M

201901044CD

▶ Tr1 S11 Log Mag 5.000dB/ Ref 0.000dB [F2]
Tr2 S21 Log Mag 10.00dB/ Ref 0.000dB [F2]



1 Center 888 MHz

IFBW 70 kHz

Span 100 MHz Cor !