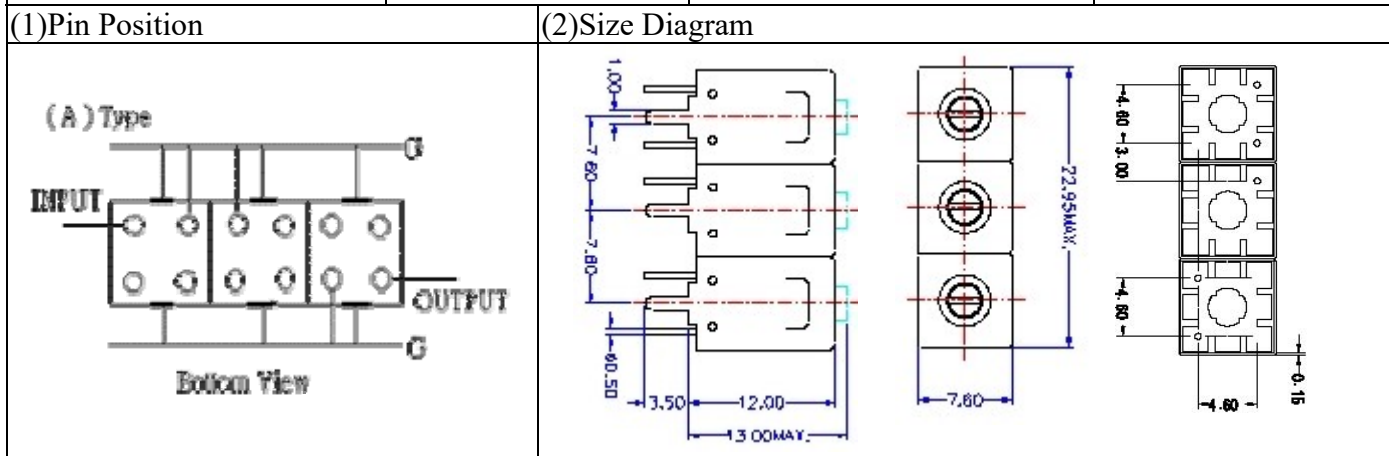


# VHF UHF Helical Filter Specification Sheet

Customer Name		Temwell's Part No.	TT63923A-873M
Approval No. /dated	201901042CD	Temwell's Print Name.	63923A 873M
Work Instruction No.	201901042CD	Date	Jan.30.2019



(3) Electric Chararistic			
Item		Specify	Performance
Center Freq.(Fo) +/- 0.5 %		873 MHz	873 MHz
Insertion Loss		Typ. 7.0 dB	6.18 dB
-3 dB Bandwidth		Typ. 6 MHz	8.5 MHz
Sensitivity (Attenuation)	Fo - 50 MHz	Typ. 50 dBc	55 dBc
	Fo + 50 MHz	Typ. 41 dBc	46 dBc
	Fo - ( )MHz	Typ. dBc	dBc
	Fo +( )MHz	Typ. dBc	dBc
Return Loss		Min. 12 dB	21.2 dB
Ripple		< 1 dB	dB
Impedance		In / Out : 50 Ω	In / Out : 50 Ω

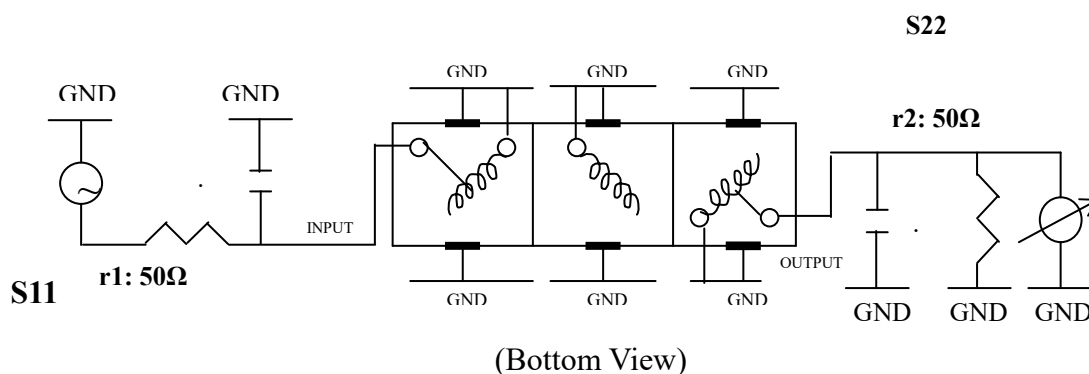
(4) Torque for Tuning Screw > 60gf • cm

(5) Temperature Condition:

Operating Temperature	0°C ~ +60°C
Storage Temperature	-20°C ~ +70°C

(6) Input Power > 1Watt

(7) Measuring Circuit: ※Easy to match Impedance S11/S22 50Ω by parallel with about(--).



Approval C.Y.Chang	Supervisor C.K.Chang	Designer P.H.Chiang	Aperture size 7H3S- 4*4.5(4.55) 7H046LB4.3 聚 3
-----------------------	-------------------------	------------------------	--

TEMWELL CORPORATION

# Performance-TT63923A-873M

## 201901042CD

