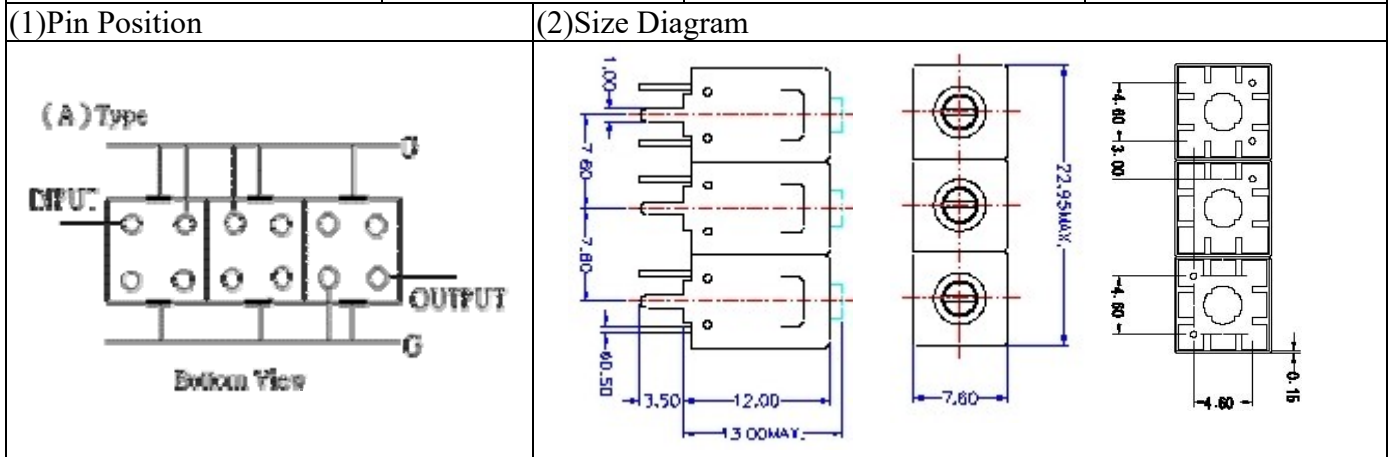


# VHF UHF Helical Filter Specification Sheet

Customer Name		Temwell's Part No.	TT63922A-793M
Approval No. /dated	201901029CD	Temwell's Print Name	63922A 793M
Work Instruction No.	201901029CD	Date	Jan.24.2019



(3) Electric Chararistic

Item	Specify	Performance	
Center Freq.(Fo) +/- 0.5 %	793 MHz	793 MHz	
Insertion Loss	Typ. 5.0 dB	4.10 dB	
-3 dB Bandwidth	Typ. 10 MHz	13.0 MHz	
Sensitivity (Attenuation)	Fo - 100 MHz	Typ. 55 dBc	66 dBc
	Fo + 100 MHz	Typ. 50 dBc	56 dBc
	Fo - ( )MHz	Typ. dBc	dBc
	Fo +( )MHz	Typ. dBc	dBc
Return Loss	Min. 12 dB	22.1 dB	
Ripple	< 1 dB	dB	
Impedance	In / Out : 50 Ω	In / Out : 50 Ω	

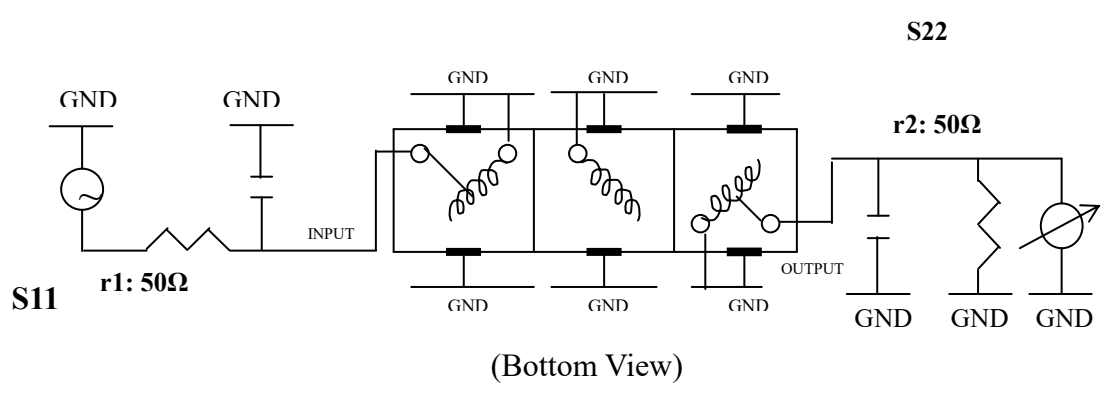
(4) Torque for Tuning Screw > 60gf · cm

(5) Temperature Condition:

Operating Temperature	0°C ~ +60°C
Storage Temperature	-20°C ~ +70°C

(6) Input Power > 1Watt

(7) Measuring Circuit: ※Easy to match Impedance S11/S22 50Ωby parallel with about(- -).

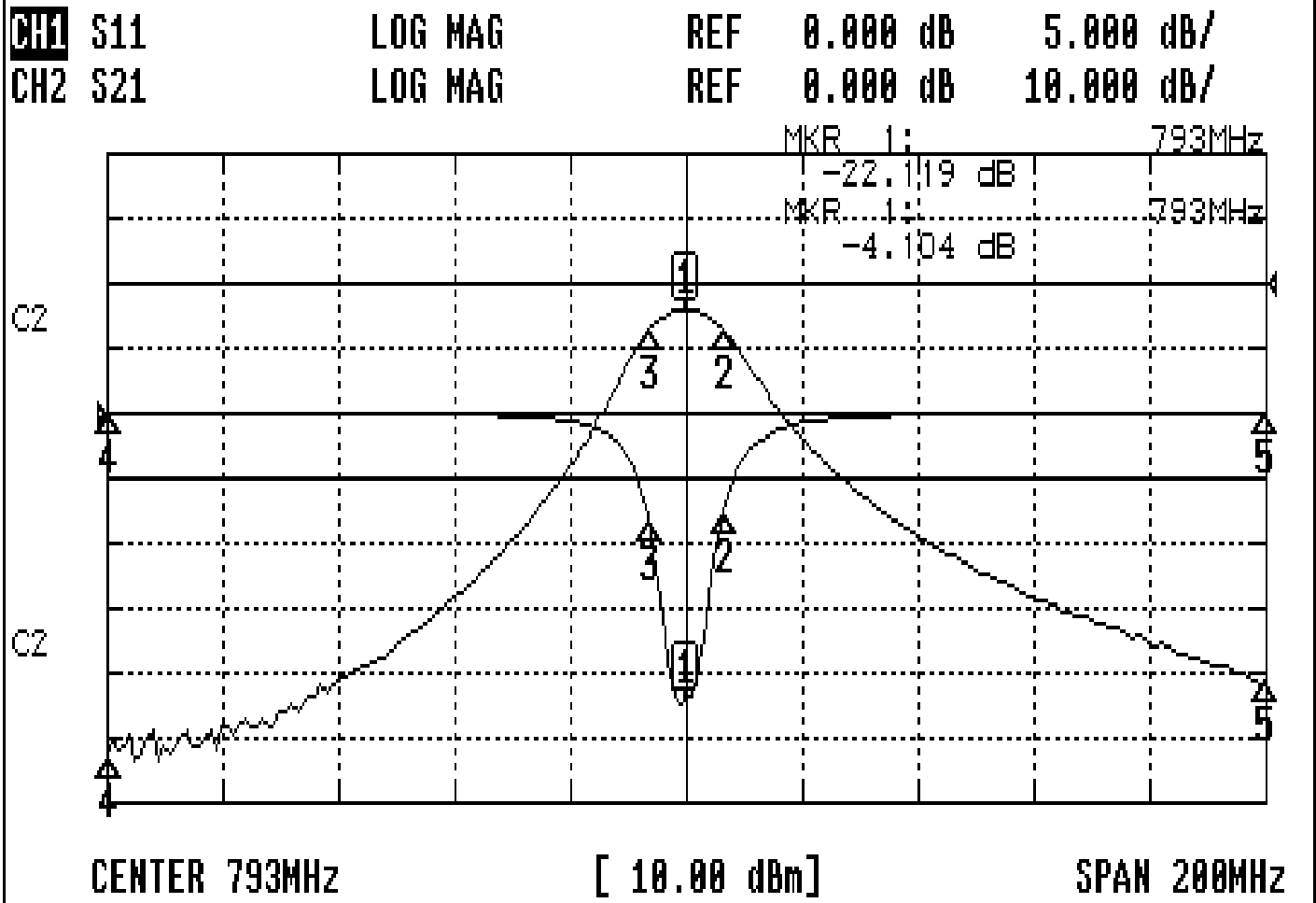


Approval C.Y.Chang	Supervisor C.K.Chang	Designer M.Y.Kang	Aperture size 7H3S(4*4.65)(4.70) 7H046LB4.3 聚 3
-----------------------	-------------------------	----------------------	---

TEMWELL CORPORATION

# Performance-TT63922A-793M

## 201901029CD



### CH1 MARKER LIST

1:	793.000MHz	-22.119	dB
2:	799.666MHz	-7.433	dB
3:	786.640MHz	-8.376	dB
4:	693.000MHz	0.053	dB
5:	893.000MHz	0.121	dB

### CH2 MARKER LIST

1:	793.000MHz	-4.104	dB
2:	799.666MHz	-7.144	dB
3:	786.640MHz	-7.130	dB
4:	693.000MHz	-70.934	dB
5:	893.000MHz	-60.457	dB