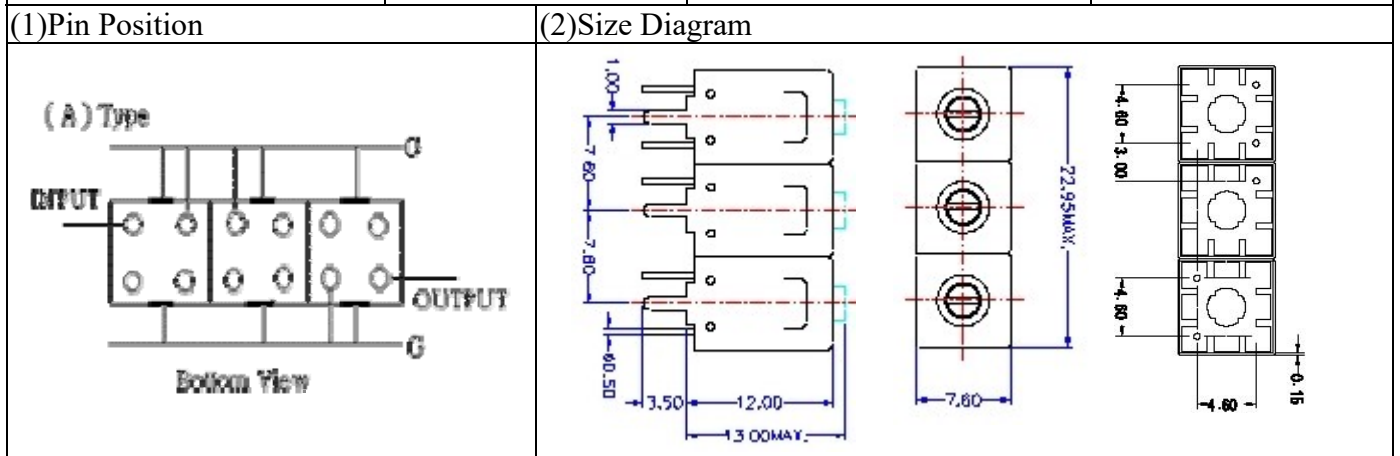


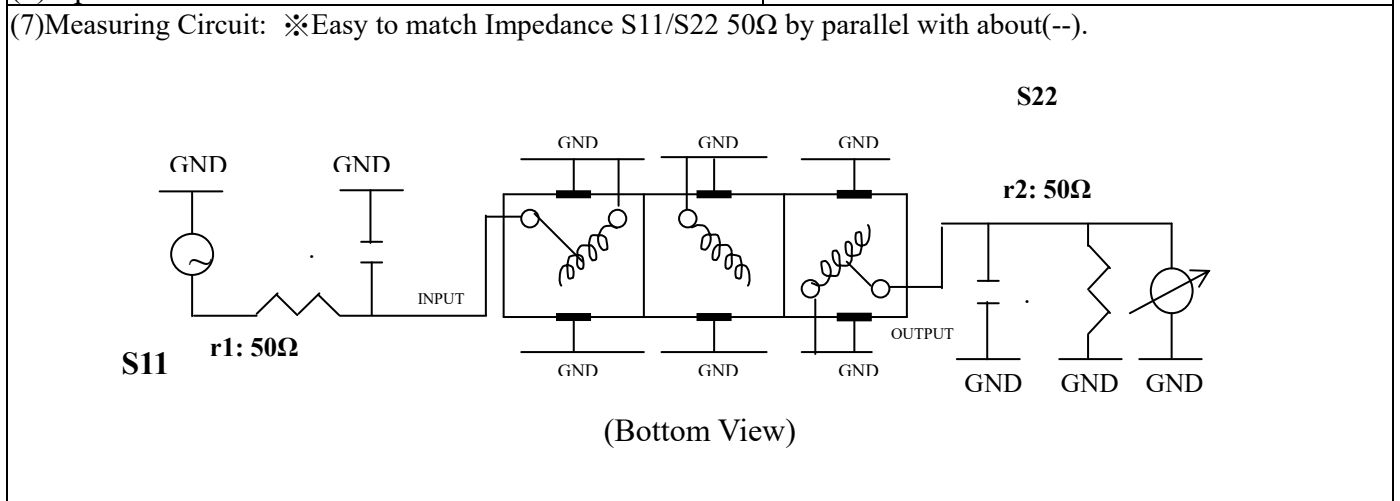
VHF UHF Helical Filter Specification Sheet

Customer Name		Temwell's Part No.	TT63920A-873.2M
Approval No. /dated	201901026CD	Customer's Print Name.	63920A 873.2M
Work Instruction No.	201901026CD	Date	Jan.24.2019



(3) Electric Chararistic			
Item	Specify	Performance	
Center Freq.(Fo) +/- 0.5 %	873.2 MHz	873.2 MHz	
Insertion Loss	Typ. 7.0 dB	5.96 dB	
-3 dB Bandwidth	Typ. 6 MHz	9.6 MHz	
Sensitivity (Attenuation)	Fo - 50 MHz	Typ. 49 dBc	55 dBc
	Fo + 50 MHz	Typ. 39 dBc	44 dBc
	Fo - ()MHz	Typ. dBc	dBc
	Fo + ()MHz	Typ. dBc	dBc
Return Loss	Min. 12 dB	21.4 dB	
Ripple	< 1 dB	dB	
Impedance	In / Out : 50 Ω	In / Out : 50 Ω	
(4) Torque for Tuning Screw	> 60gf · cm		

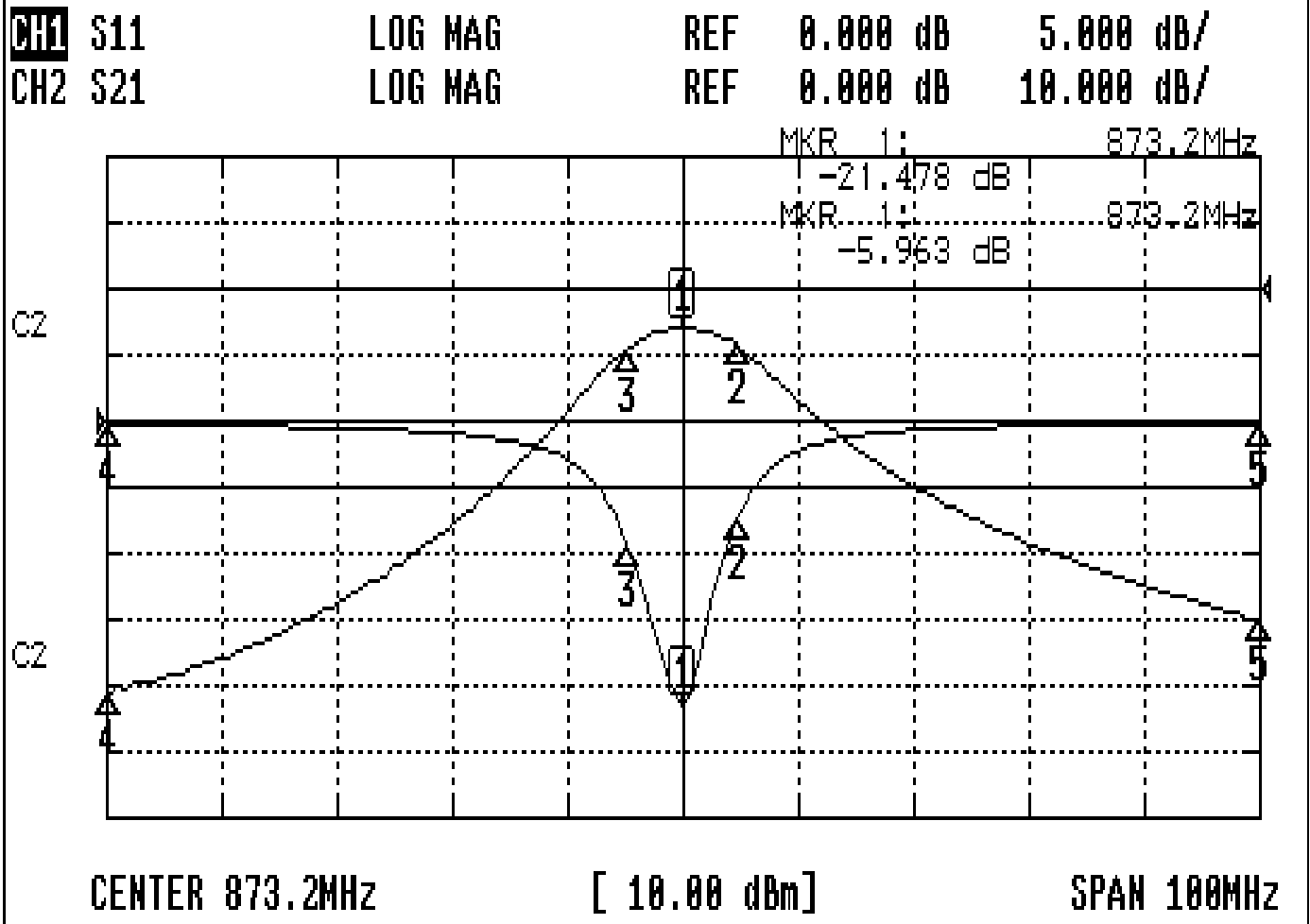
(5) Temperature Condition:	
Operating Temperature	0°C ~ +60°C
Storage Temperature	-20°C ~ +70°C
(6) Input Power	> 1 Watt



Approval C.Y.Chang	Supervisor C.K.Chang	Designer C.H.Yeh	Aperture size 7H3S(4*4.65)(4.70) 7H046LB4.3 聚 3
TEMWELL CORPORATION			

Performance-TT63920A-873.2M

201901026CD



CH1 MARKER LIST

1:	873.200MHz	-21.482 dB
2:	878.116MHz	-7.183 dB
3:	868.440MHz	-9.289 dB
4:	823.200MHz	-0.299 dB
5:	923.200MHz	-0.244 dB

CH2 MARKER LIST

1:	873.200MHz	-5.963 dB
2:	878.116MHz	-1.952 dB
3:	868.440MHz	-1.934 dB
4:	823.200MHz	-1.394 dB
5:	923.200MHz	-0.068 dB