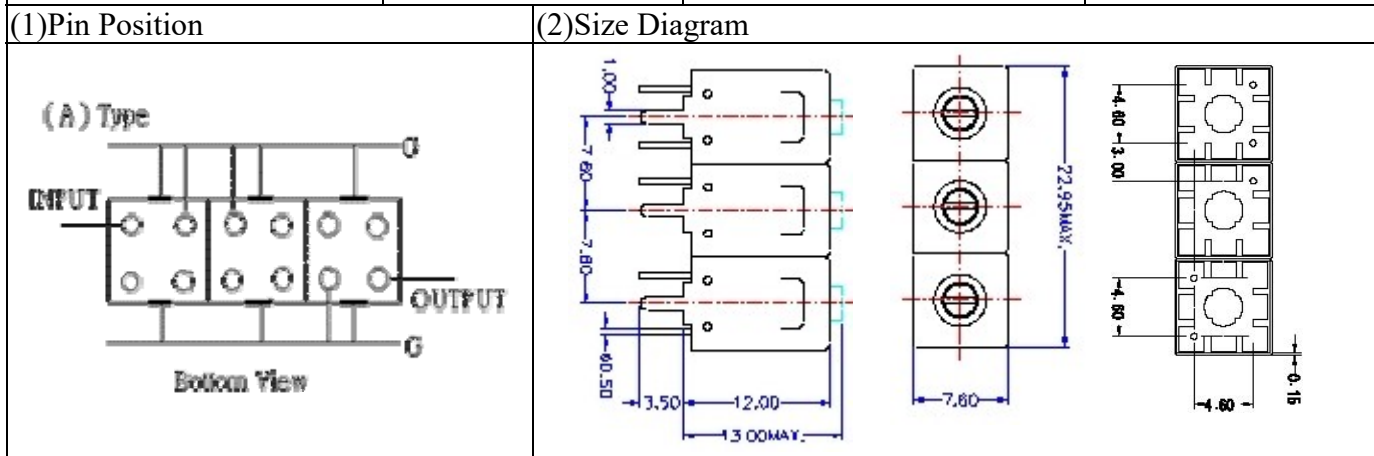


VHF UHF Helical Filter Specification Sheet

| | | | |
|----------------------|-------------|------------------------|----------------|
| Customer Name | | Temwell's Part No. | TT63917A-833M |
| Approval No. /dated | 201901023CD | Customer's Print Name. | 63917A 833M |
| Work Instruction No. | 201901023CD | Date | Jan.28.2019 |



(3) Electric Chararistic

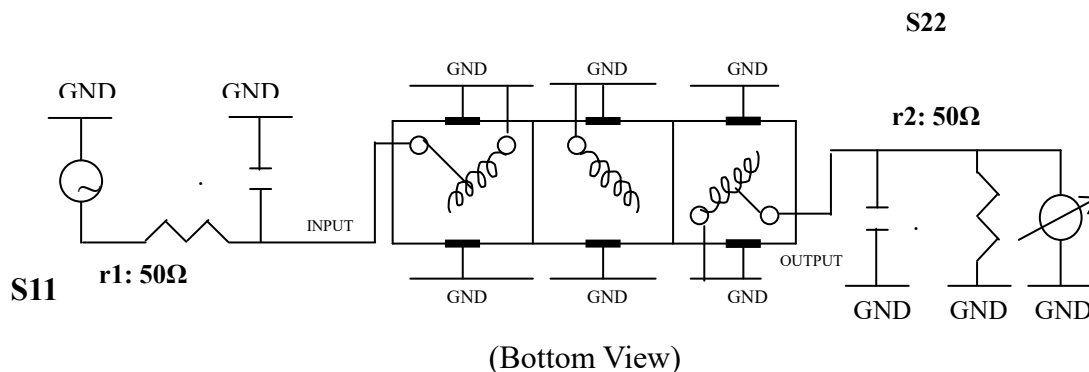
| Item | Specify | Performance | |
|------------------------------|-----------------|-----------------|--------|
| Center Freq.(Fo) +/- 0.5 % | 833 MHz | 833 MHz | |
| Insertion Loss | Typ. 10 dB | 9.11 dB | |
| -3 dB Bandwidth | Typ. 2 MHz | 6.6 MHz | |
| Sensitivity (Attenuation) | Fo - 50 MHz | Typ. 51 dBc | 61 dBc |
| | Fo + 50 MHz | Typ. 50 dBc | 55 dBc |
| | Fo - ()MHz | Typ. dBc | dBc |
| | Fo + ()MHz | Typ. dBc | dBc |
| Return Loss | Min. 12 dB | 20.1 dB | |
| Ripple | < 1 dB | dB | |
| Impedance | In / Out : 50 Ω | In / Out : 50 Ω | |
| (4) Torque for Tuning Screw | > 60gf · cm | | |

(5) Temperature Condition:

| | |
|-----------------------|---------------|
| Operating Temperature | 0°C ~ +60°C |
| Storage Temperature | -20°C ~ +70°C |

(6) Input Power

(7) Measuring Circuit: ※Easy to match Impedance S11/S22 50Ω by parallel with about(--).



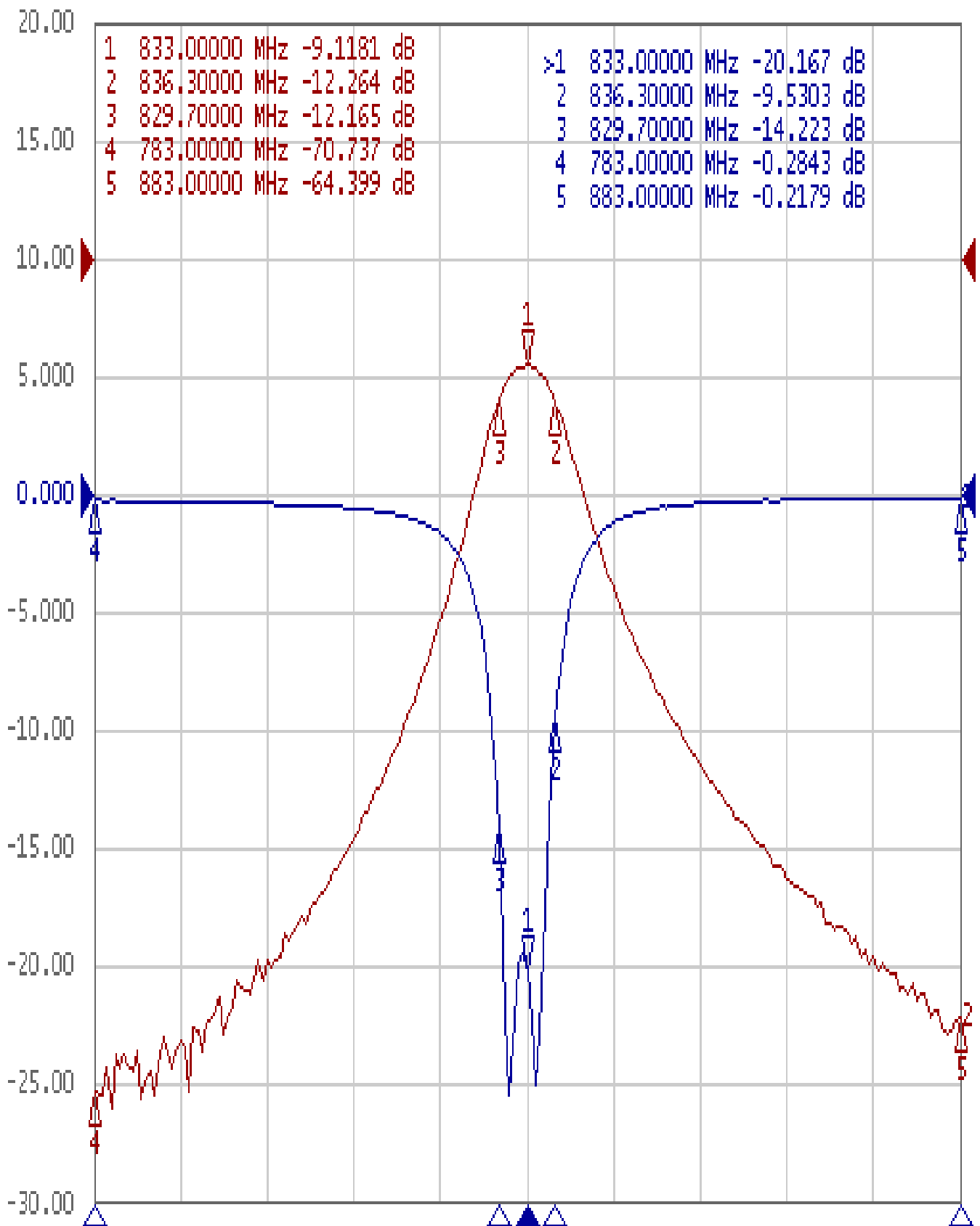
| | | | |
|---------------------|------------|----------|--|
| Approval | Supervisor | Designer | Aperture size |
| C.Y.Chang | C.K.Chang | W.W.Wang | 7H3S(4*4.5)(4.55)(J1) 7H046LB4.3 聚 3 |
| TEMWELL CORPORATION | | | |

Performance-TT63917A-833M

201901023CD

Tr1 S11 Log Mag 5.000dB/ Ref 0.000dB [F2]

Tr2 S21 Log Mag 10.00dB/ Ref 0.000dB [F2]



1 Center 833 MHz

IFBW 70 kHz

Span 100 MHz Cor !