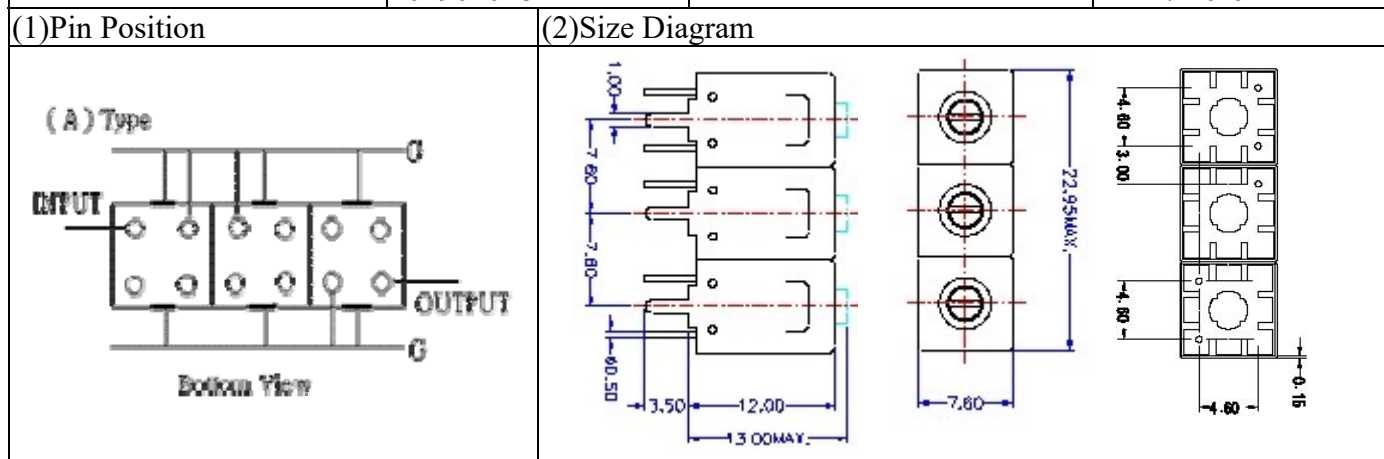


VHF UHF Helical Filter Specification Sheet

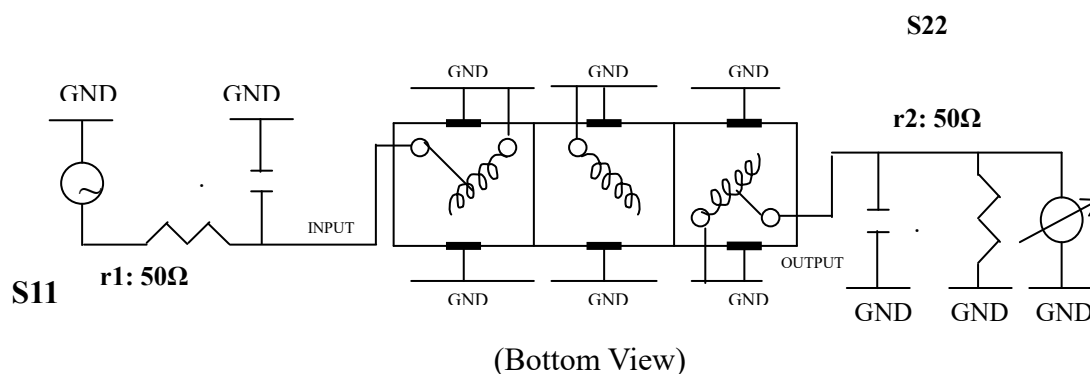
Customer Name		Temwell's Part No.	TT63912A-784.5M
Approval No. /dated	201901018CD	Customer's Print Name.	63912A 784.5M
Work Instruction No.	201901018CD	Date	Jan.17.2019



(3)Electric Chararctic

Item	Specify	Performance	
Center Freq.(Fo) +/- 0.5 %	784.5 MHz	784.5 MHz	
Insertion Loss	Typ. 5.0 dB	3.72 dB	
-3 dB Bandwidth	Typ. 12 MHz	15.5 MHz	
Sensitivity (Attenuation)	Fo - 100 MHz	Typ. 53 dBc	63 dBc
	Fo + 100 MHz	Typ. 51 dBc	56 dBc
	Fo - ()MHz	Typ. dBc	dBc
	Fo +()MHz	Typ. dBc	dBc
Return Loss	Min. 12 dB	22.0 dB	
Ripple	< 1 dB	dB	
Impedance	In / Out : 50 Ω	In / Out : 50 Ω	
(4)Torque for Tuning Screw	> 60gf · cm		
(5)Temperature Condition:			
Operating Temperature	0°C ~ +60°C		
Storage Temperature	-20°C ~ +70°C		
(6)Input Power	> 1Watt		

(7)Measuring Circuit: ※Easy to match Impedance S11/S22 50Ω by parallel with about(--).



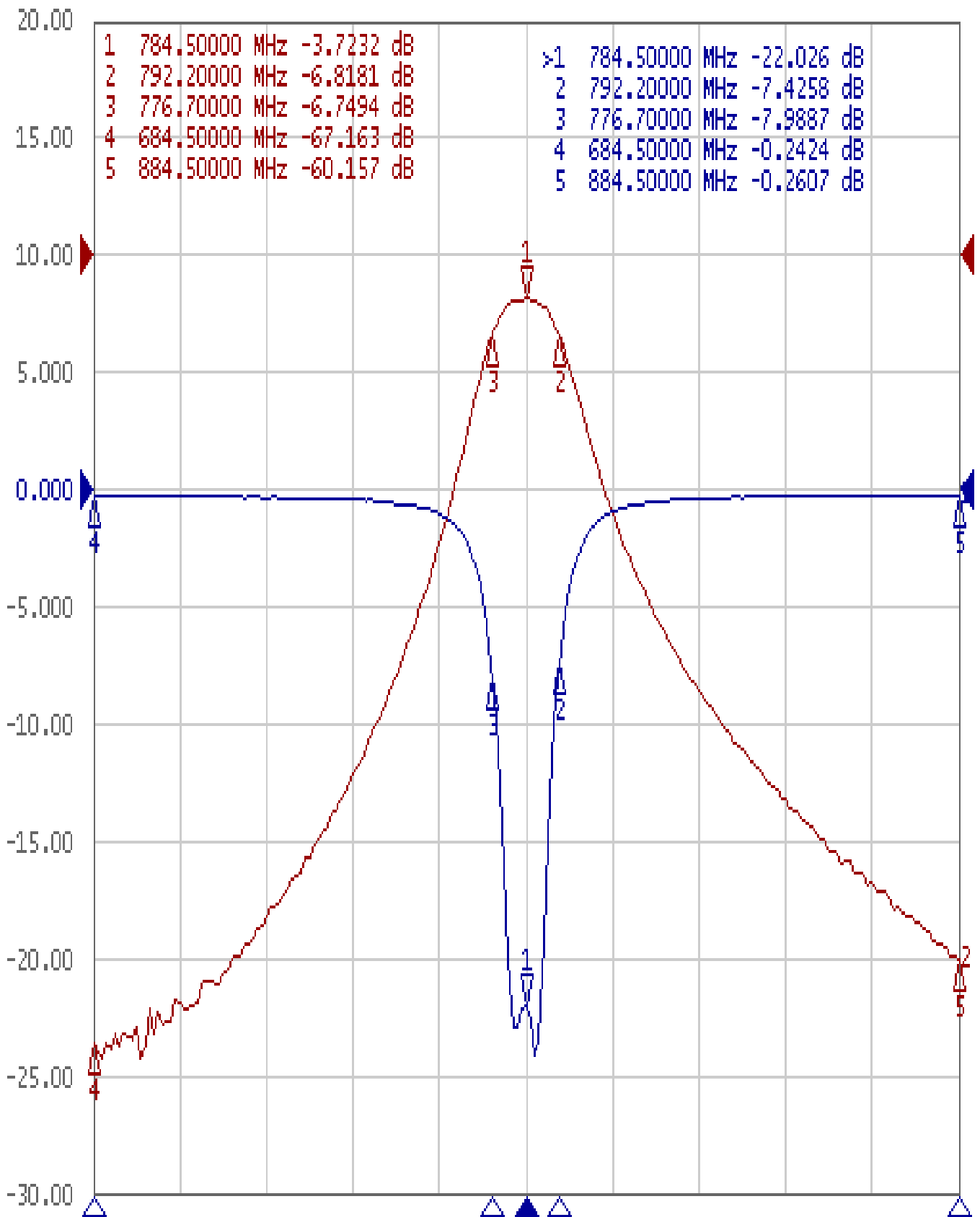
Approval	Supervisor	Designer	Aperture size
C.Y.Chang	C.K.Chang	W.W.Wang	7H3S(4*4.65)(4.75) 7H046LB4.3 聚 3

TEMWELL CORPORATION

Performance-TT63912A-784.5M

201901018CD

Tr1 S11 Log Mag 5.000dB/ Ref 0.000dB [F2]
Tr2 S21 Log Mag 10.00dB/ Ref 0.000dB [F2]



1 Center 784.5 MHz

IFBW 70 kHz

Span 200 MHz Cor !