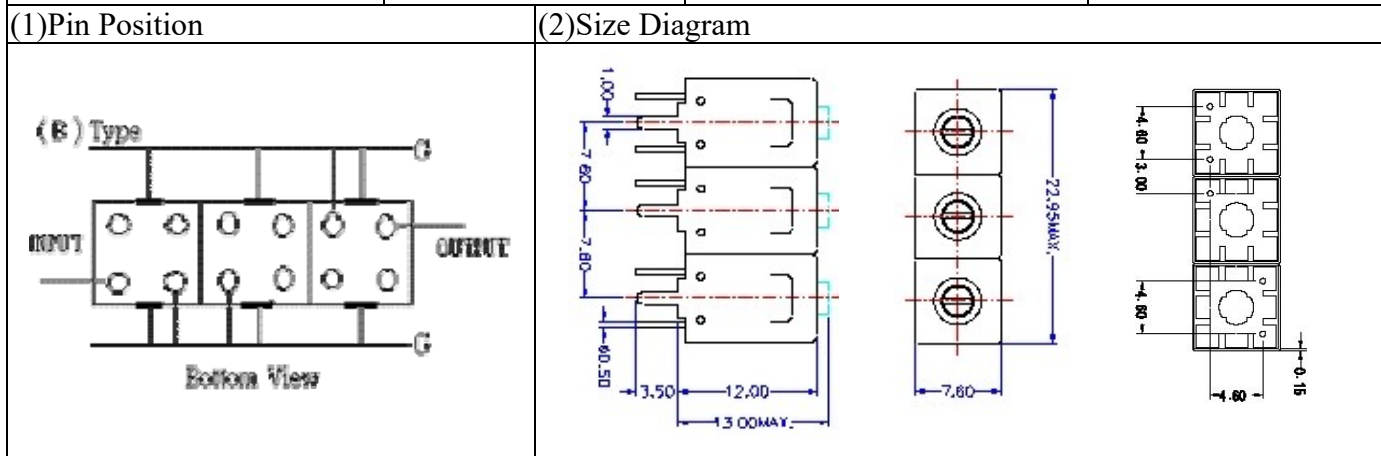


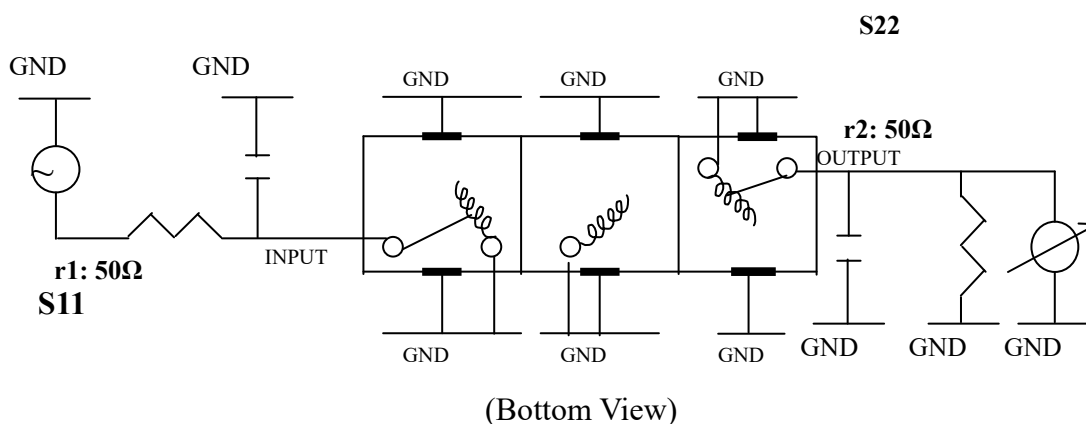
VHF UHF Helical Filter Specification Sheet

Customer Name		Temwell's Part No.	TT63908B-763M
Approval No. /dated	201901014CD	Temwell's Print name.	63908B 763M
Work Instruction No.	201901014CD	Date	Jan.18.2019



(3) Electric Chararctic			
Item	Specify	Performance	
Center Freq.(Fo) +/- 0.5 %	763 MHz	763	MHz
Insertion Loss	Typ. 5.0 dB	3.70	dB
-3 dB Bandwidth	Typ. 12 MHz	14.8	MHz
Sensitivity (Attenuation)	Fo - 50 MHz	Typ. 48 dBc	53 dBc
	Fo + 50 MHz	Typ. 35 dBc	40 dBc
	Fo - () MHz	Typ. dBc	dBc
	Fo + () MHz	Typ. dBc	dBc
Return Loss	Min. 12 dB	34.9	dB
Ripple	< 1 dB		dB
Impedance	In / Out : 50 Ω	In / Out : 50 Ω	
(4) Torque for Tuning Screw	> 60gf · cm		
(5) Temperature Condition:			
Operating Temperature	0°C ~ +60°C		
Storage Temperature	-20°C ~ +70°C		
(6) Input Power	> 1Watt		

(7) Measuring Circuit: ※Easy to match Impedance S11/S22 50Ω by parallel with about (-) .



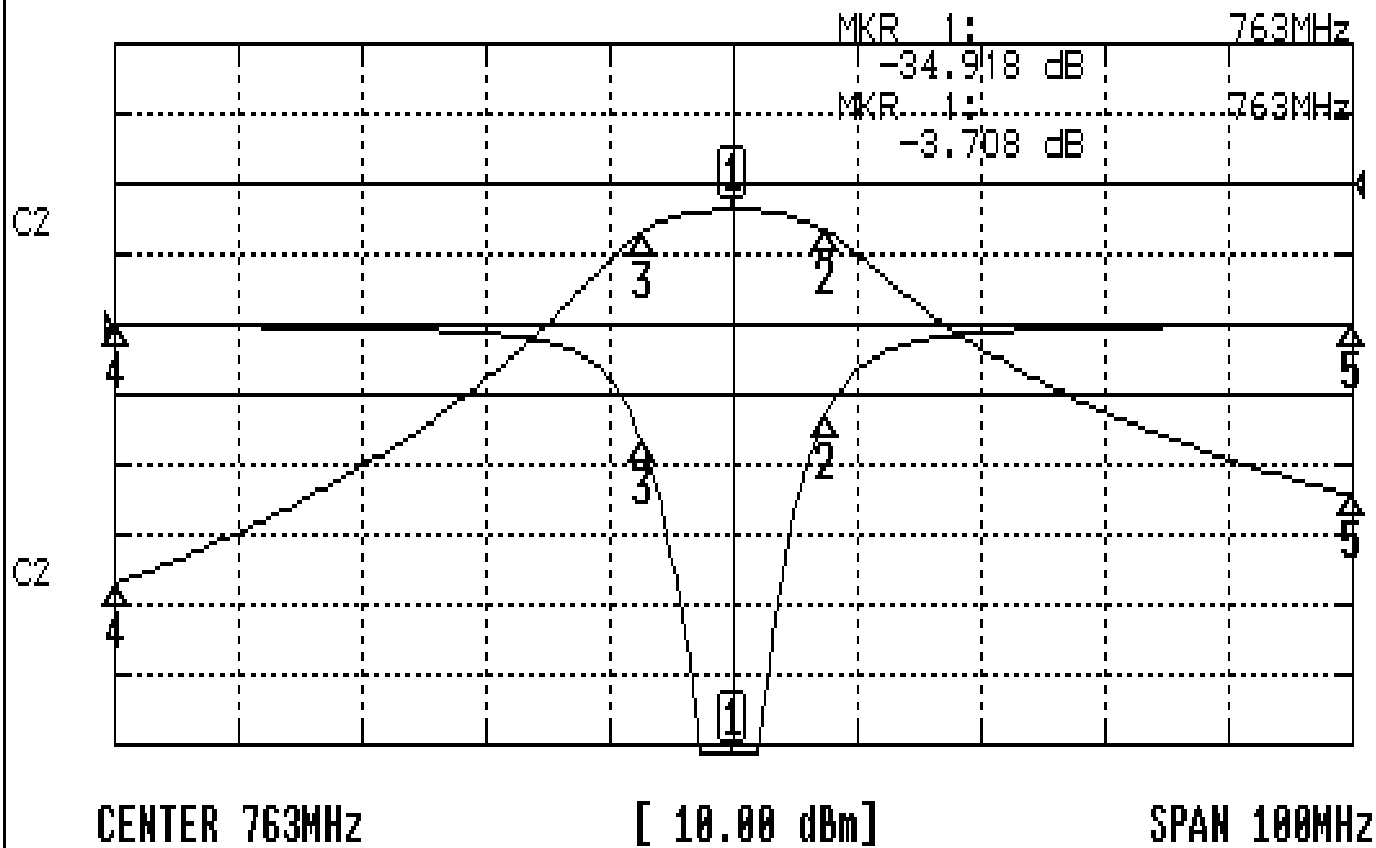
Approval C.Y.Chang	Supervisor C.K.Chang	Designer C.H.Yeh	Aperture size 7H3S(4*4.65)(4.70) 7H046RB4
-----------------------	-------------------------	---------------------	---

TEMWELL CORPORATION

Performance-TT63908B-763M

201901014CD

CH1 S11 LOG MAG REF 0.000 dB 5.000 dB/
CH2 S21 LOG MAG REF 0.000 dB 10.000 dB/



CH1 MARKER LIST

1:	763.000MHz	-34.918	dB
2:	770.500MHz	-16.554	dB
3:	755.666MHz	-18.264	dB
4:	713.000MHz	-0.075	dB
5:	813.000MHz	-0.044	dB
6:			
7:			
8:			
9:			
10:			

CH2 MARKER LIST

1:	763.000MHz	-3.708	dB
2:	770.500MHz	-16.753	dB
3:	755.666MHz	-16.761	dB
4:	713.000MHz	-57.245	dB
5:	813.000MHz	-44.385	dB
6:			
7:			
8:			
9:			
10:			