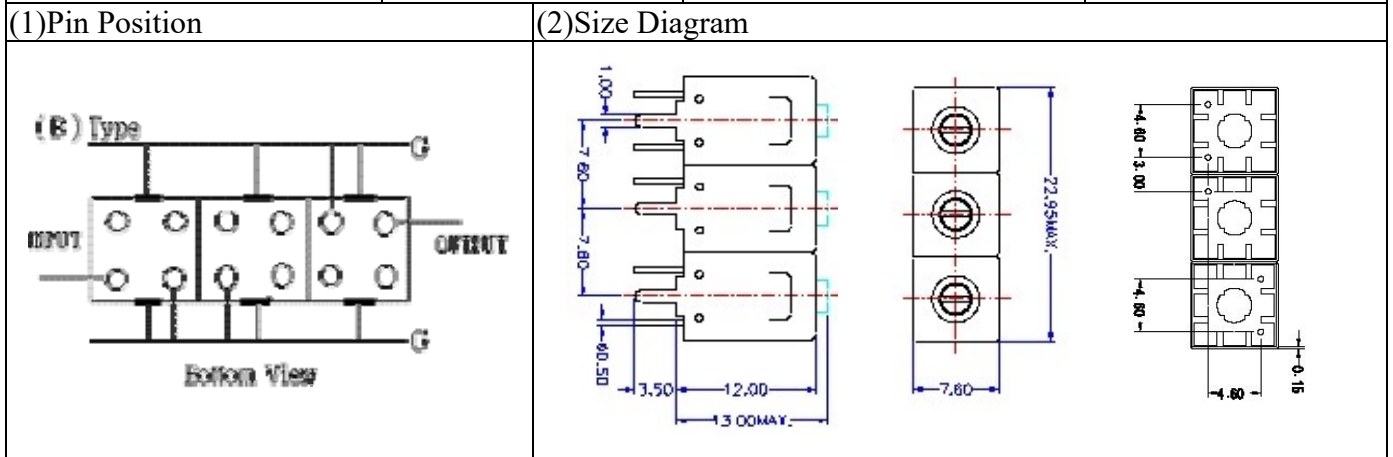


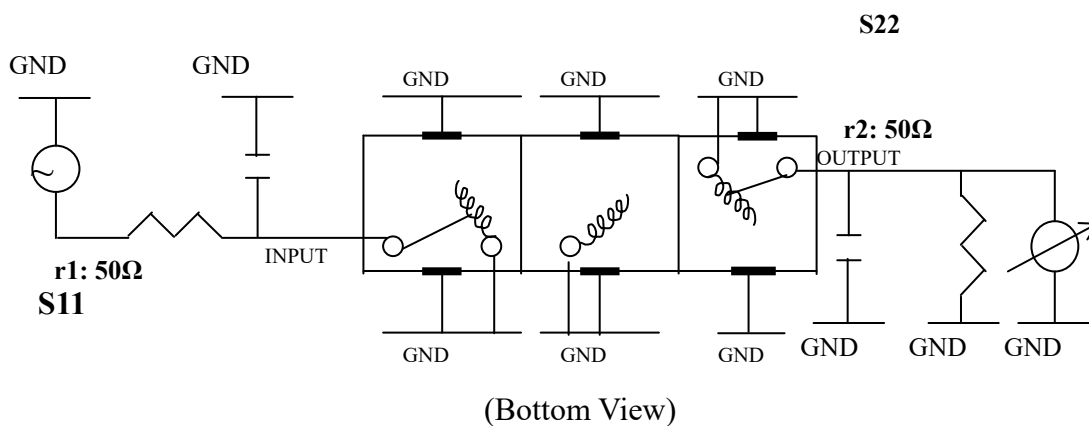
VHF UHF Helical Filter Specification Sheet

Customer Name		Temwell's Part No.	TT63907B-754.5M
Approval No. /dated	201901013CD	Temwell's Print name.	63907B 754.5M
Work Instruction No.	201901013CD	Date	Jan.17.2019



(3) Electric Chararctic					
Item		Specify		Performance	
Center Freq.(Fo) +/- 0.5 %		754.5	MHz	754.5	MHz
Insertion Loss		Typ. 4.0	dB	2.96	dB
-3 dB Bandwidth		Typ. 15	MHz	17.9	MHz
Sensitivity (Attenuation)	Fo - 50 MHz	Typ. 45	dBc	50	dBc
	Fo + 50 MHz	Typ. 30	dBc	35	dBc
	Fo - () MHz	Typ	dBc		dBc
	Fo + () MHz	Typ.	dBc		dBc
Return Loss		Min. 12	dB	40.4	dB
Ripple		< 1 dB		dB	
Impedance		In / Out : 50 Ω		In / Out : 50 Ω	
(4) Torque for Tuning Screw		> 60gf · cm			
(5) Temperature Condition:					
Operating Temperature		0°C ~ +60°C			
Storage Temperature		-20°C ~ +70°C			
(6) Input Power		> 1Watt			

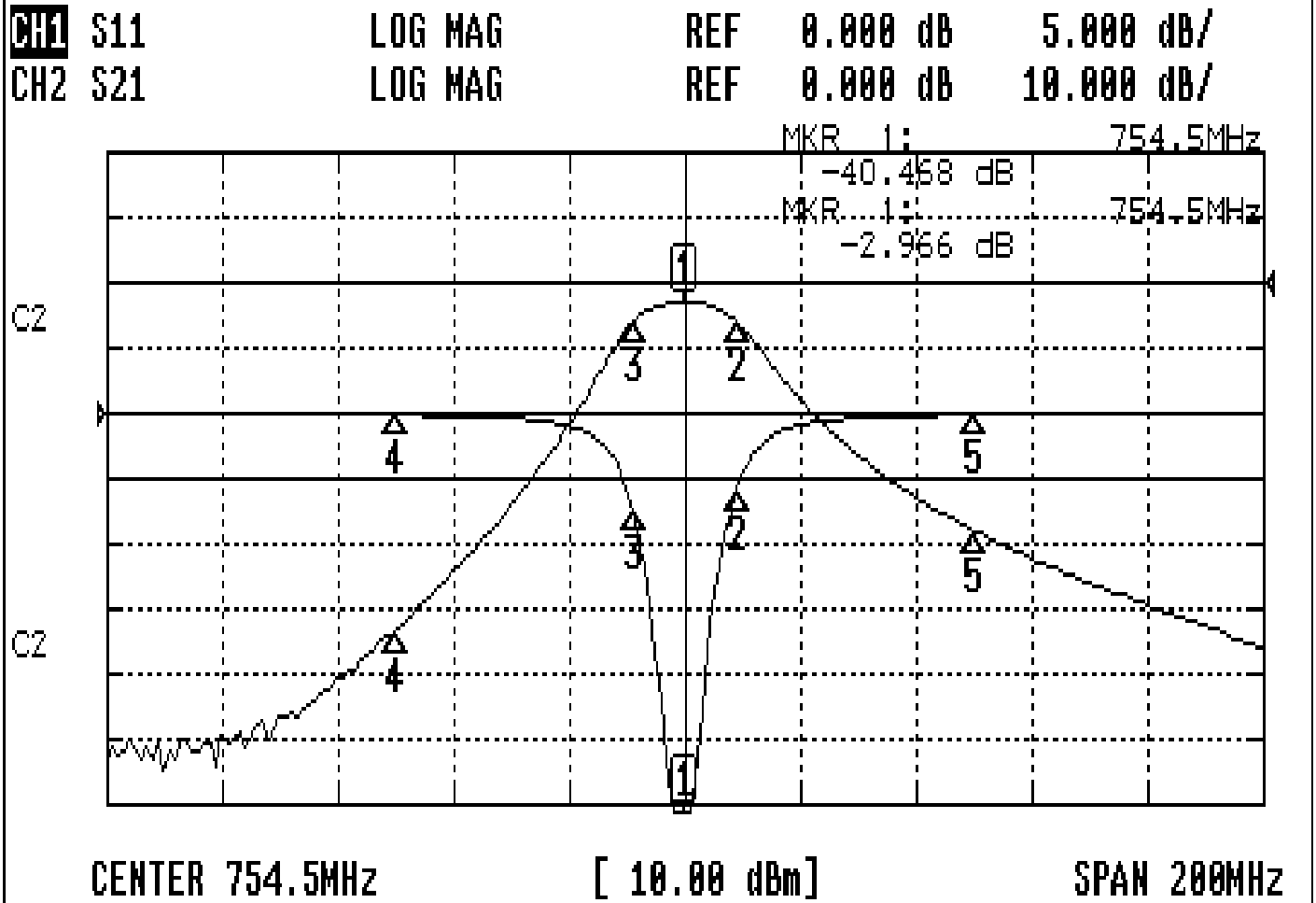
(7) Measuring Circuit: ※Easy to match Impedance S11/S22 50Ω by parallel with about (-) .



Approval	Supervisor	Designer	Aperture size
C.Y.Chang	C.K.Chang	C.H.Yeh	7H3S(4*5.35)(5.40) 7H046RB4
TEMWELL CORPORATION			

Performance-TT63907B-754.5M

201901013CD



CH1 MARKER LIST

Marker	Frequency (MHz)	Magnitude (dB)
1	754.500	-40.468
2	763.450	-2.965
3	745.550	-7.416
4	704.500	-0.125
5	804.500	-0.107

CH2 MARKER LIST

Marker	Frequency (MHz)	Magnitude (dB)
1	754.500	-2.966
2	763.450	-0.914
3	745.550	-0.338
4	704.500	-0.339
5	804.500	-0.014