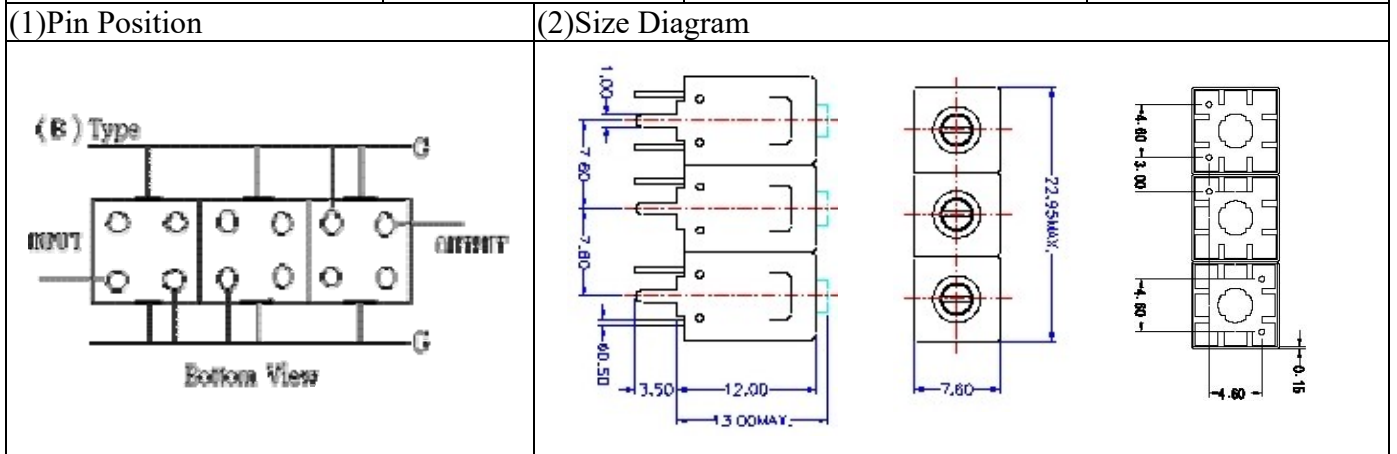


VHF UHF Helical Filter Specification Sheet

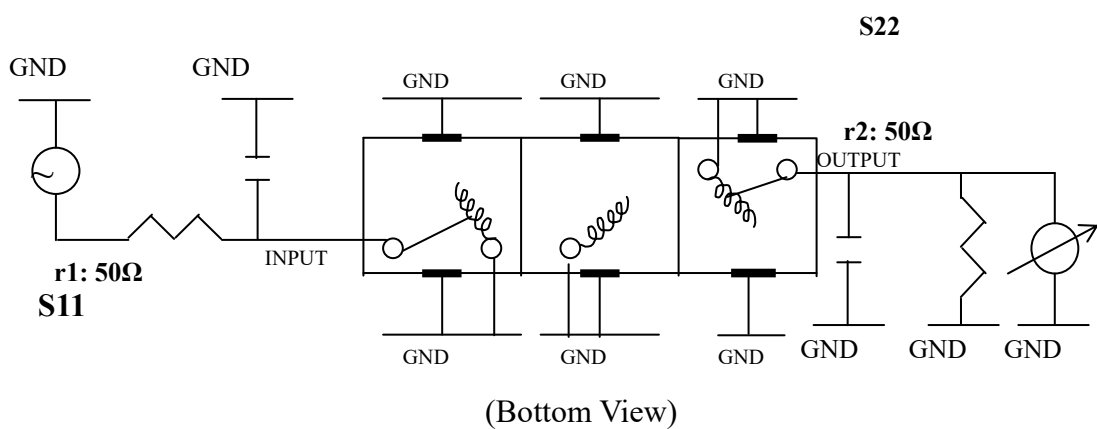
Customer Name		Temwell's Part No.	TT63904B-748M
Approval No. /dated	201901010CD	Temwell's Print name.	63904B 748M
Work Instruction No.	201901010CD	Date	Jan.10.2019



(3) Electric Chararistic		Specify	Performance
Center Freq.(Fo) +/- 0.5 %		748 MHz	748 MHz
Insertion Loss		Typ. 3.5 dB	2.58 dB
-3 dB Bandwidth		Typ. 20 MHz	21.2 MHz
Sensitivity (Attenuation)	Fo - 50 MHz	Typ. 36 dBc	39 dBc
	Fo + 50 MHz	Typ. 24 dBc	27 dBc
	Fo - () MHz	Typ. dBc	dBc
	Fo + () MHz	Typ. dBc	dBc
Return Loss		Min. 12 dB	24.2 dB
Ripple		< 1 dB	dB
Impedance		In / Out : 50 Ω	In / Out : 50 Ω
(4) Torque for Tuning Screw		> 60gf · cm	

(5) Temperature Condition:	
Operating Temperature	0°C ~ +60°C
Storage Temperature	-20°C ~ +70°C
(6) Input Power	> 1Watt

(7) Measuring Circuit: ※Easy to match Impedance S11/S22 50Ω by parallel with about (-).



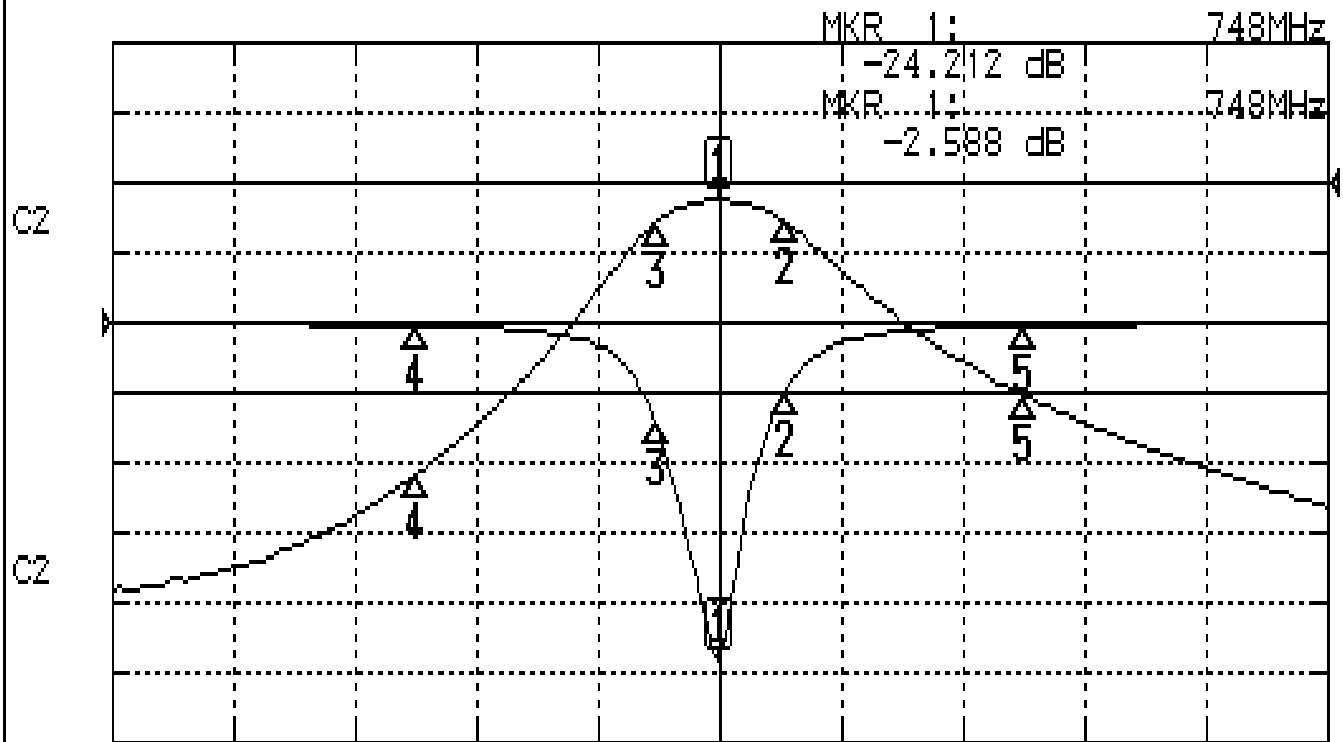
Approval	Supervisor	Designer	Aperture size
C.Y.Chang	C.K.Chang	Z.Y.Wang	7H3S(4*5.6)(5.65) 7H046RB4

TEMWELL CORPORATION

Performance-TT63904B-748M

201901010CD

CH1 S11 LOG MAG REF 0.000 dB 5.000 dB/
CH2 S21 LOG MAG REF 0.000 dB 10.000 dB/



CENTER 748MHz

[10.00 dBm]

SPAN 200MHz

CH1 MARKER LIST

Marker	Frequency (MHz)	Magnitude (dB)
1	748.000	-24.212
2	758.700	-4.984
3	737.450	-7.103
4	698.000	-0.239
5	798.000	-0.243

CH2 MARKER LIST

Marker	Frequency (MHz)	Magnitude (dB)
1	748.000	-2.588
2	758.700	-5.588
3	737.450	-5.588
4	698.000	-41.723
5	798.000	-30.338