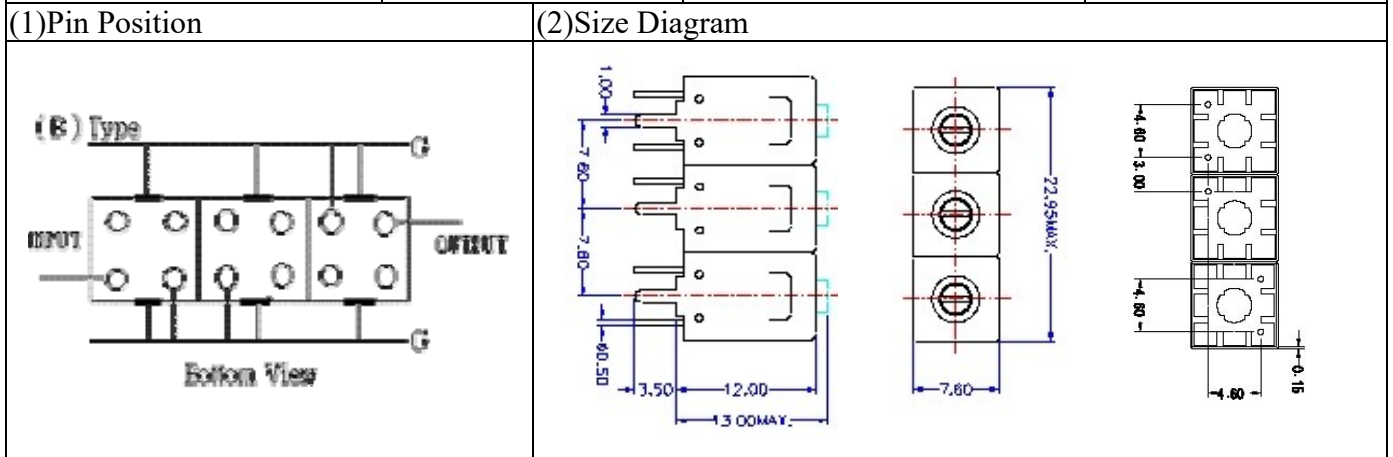


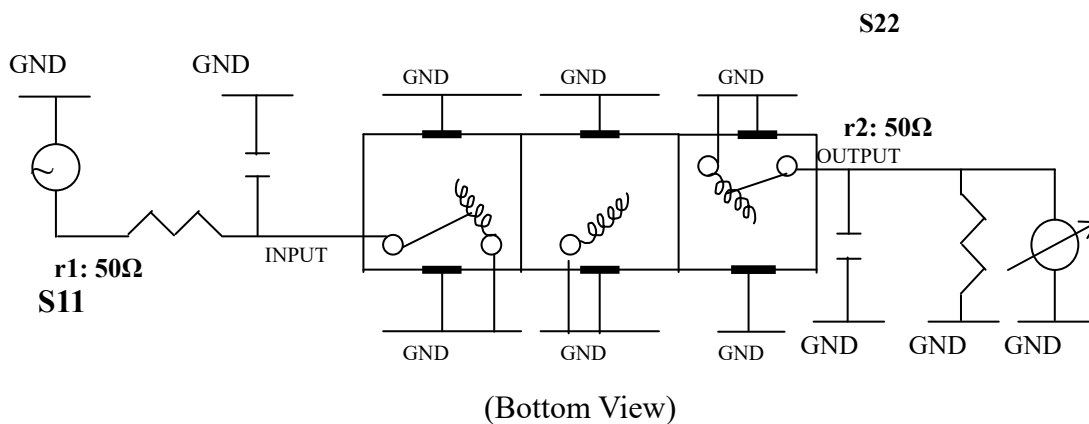
VHF UHF Helical Filter Specification Sheet

Customer Name		Temwell's Part No.	TT63880B-710M
Approval No. /dated	201812049CD	Temwell's Print name.	63880B 710M
Work Instruction No.	201812049CD	Date	Jan.17.2019



(3) Electric Chararctic					
Item		Specify		Performance	
Center Freq.(Fo) +/- 0.5 %		710 MHz		710 MHz	
Insertion Loss		Typ. 4.0 dB		3.07 dB	
-3 dB Bandwidth		Typ. 12 MHz		15.5 MHz	
Sensitivity (Attenuation)	Fo - 50 MHz	Typ. 43 dBc		49 dBc	
	Fo + 50 MHz	Typ. 28 dBc		34 dBc	
	Fo - () MHz	Typ dBc		dBc	
	Fo + () MHz	Typ. dBc		dBc	
Return Loss		Min. 12 dB		46.9 dB	
Ripple		< 1 dB		dB	
Impedance		In / Out : 50 Ω		In / Out : 50 Ω	
(4) Torque for Tuning Screw		> 60gf · cm			
(5) Temperature Condition:					
Operating Temperature		0°C ~ +60°C			
Storage Temperature		-20°C ~ +70°C			
(6) Input Power		> 1Watt			

(7) Measuring Circuit: ※Easy to match Impedance S11/S22 50Ω by parallel with about (-).



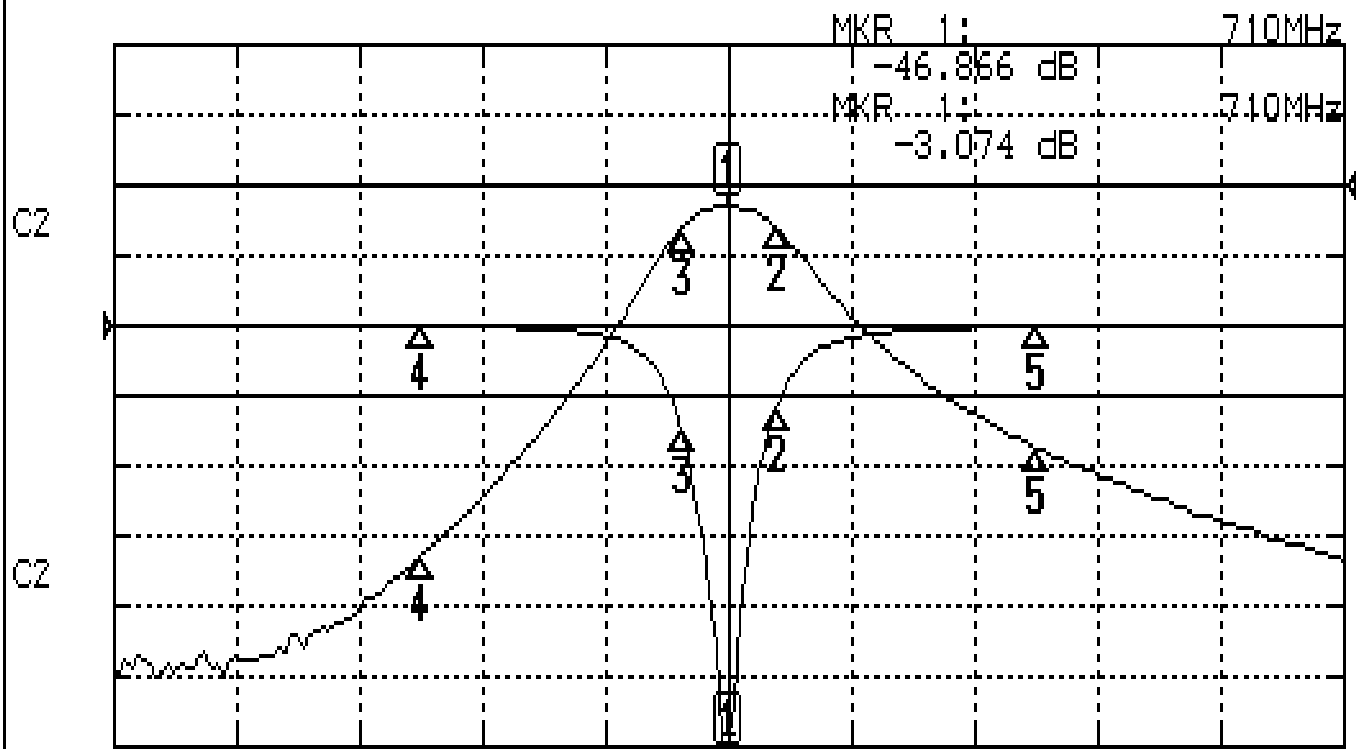
Approval	Supervisor	Designer	Aperture size
C.Y.Chang	C.K.Chang	M.Y.Kang	7H3S(4*5.35)(5.39) 7H046RB4

TEMWELL CORPORATION

Performance-TT63880B-710M

201812049CD

CH1 S11 LOG MAG REF 0.000 dB 5.000 dB/
CH2 S21 LOG MAG REF 0.000 dB 10.000 dB/



CENTER 710MHz

[10.00 dBm]

SPAN 200MHz

CH1 MARKER LIST

1:	710.000MHz	-46.961 dB
2:	717.833MHz	-5.861 dB
3:	702.250MHz	-7.201 dB
4:	660.000MHz	-0.009 dB
5:	760.000MHz	-0.056 dB

CH2 MARKER LIST

1:	710.000MHz	-3.074 dB
2:	717.833MHz	-6.087 dB
3:	702.250MHz	-6.063 dB
4:	660.000MHz	-32.786 dB
5:	760.000MHz	-37.299 dB