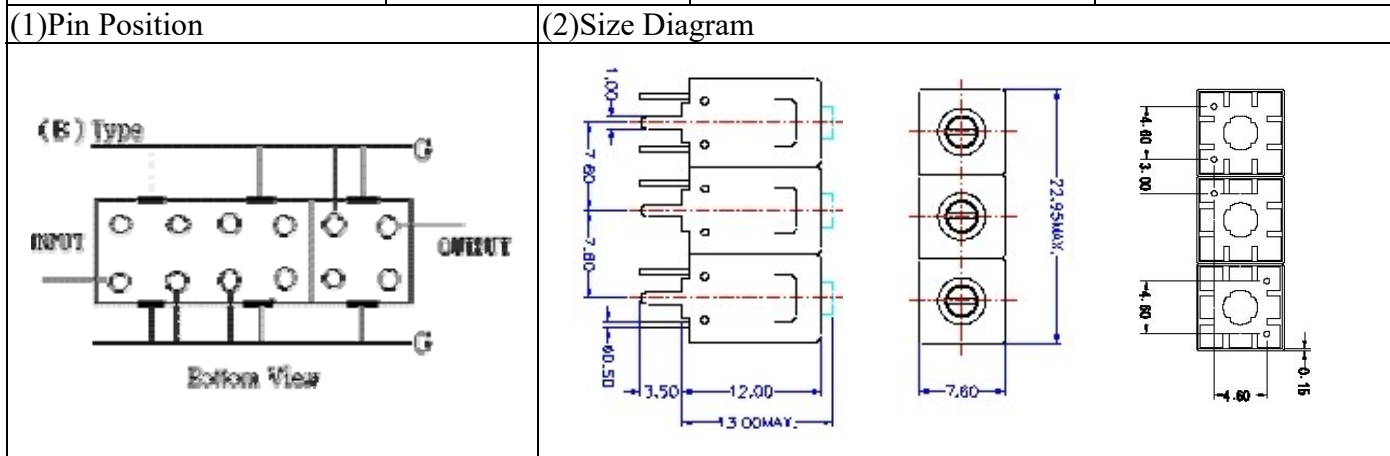


VHF UHF Helical Filter Specification Sheet

Customer Name		Temwell's Part No.	TT63874A-942.5M
Approval No. /dated	201812045CD	Temwell's Print name.	63876A 942.5M
Work Instruction No.	201812045CD	Date	Jan.09.2019



(3) Electric Charasteric

Item	Specify	Performance	
Center Freq.(Fo) +/- 0.5 %	942.5 MHz	942.5 MHz	
Insertion Loss	Typ. 2.5 dB	1.87 dB	
-3 dB Bandwidth	Typ. 35 MHz	38.0 MHz	
Sensitivity (Attenuation)	Fo - 100 MHz	Typ. 48 dBc	53 dBc
	Fo + 100 MHz	Typ. 30 dBc	35 dBc
	Fo - () MHz	Typ. dBc	dBc
	Fo + () MHz	Typ. dBc	dBc
Return Loss	Min. 12 dB	17.2 dB	
Ripple	< 1 dB	dB	
Impedance	In / Out : 50 Ω	In / Out : 50 Ω	

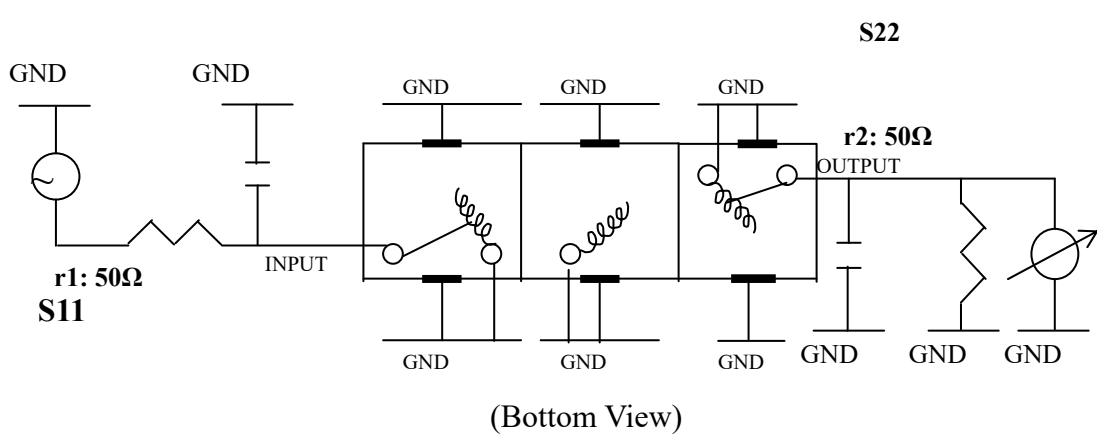
(4) Torque for Tuning Screw > 60gf · cm

(5) Temperature Condition:

Operating Temperature	0°C ~ +60°C
Storage Temperature	-20°C ~ +70°C

(6) Input Power > 1Watt

(7) Measuring Circuit: ※Easy to match Impedance S11/S22 50Ω by parallel with about (--) .



Approval	Supervisor	Designer	Aperture size
C.Y.Chang	C.K.Chang	P.H.Chiang	7H3S(4*7.35)(7.39) 7H046LB4.3 聚 3

TEMWELL CORPORATION

Performance-TT63876A-942.5M

201812045CD

Tr1 S11 Log Mag 5.000dB/ Ref 0.000dB [F2]
Tr2 S21 Log Mag 10.00dB/ Ref 0.000dB [F2]

