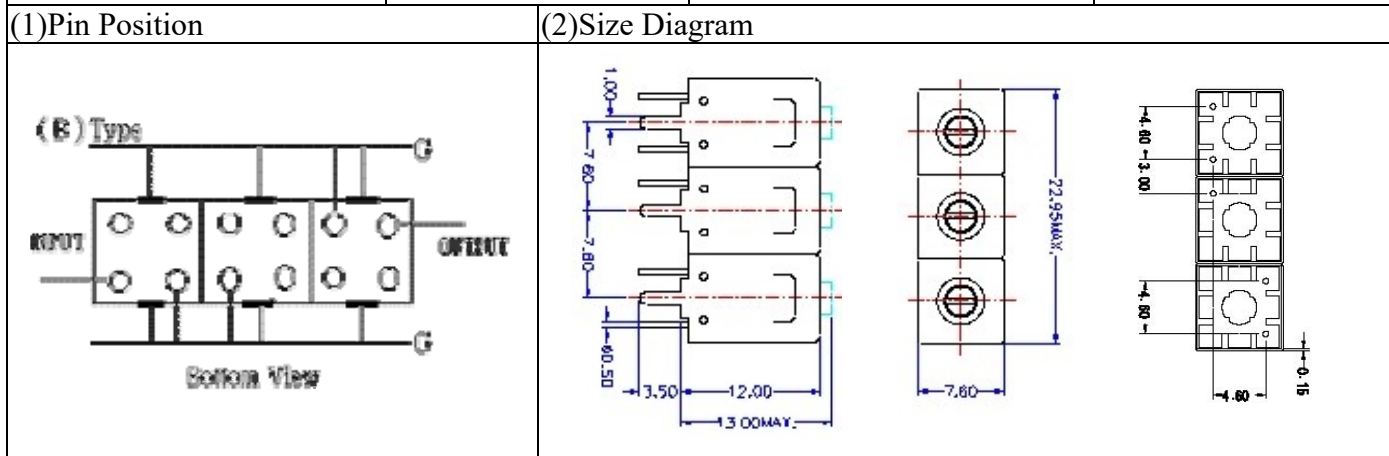


VHF UHF Helical Filter Specification Sheet

Customer Name		Temwell's Part No.	TT63875B-882.5M
Approval No. /dated	201812044CD	Temwell's Print name.	63875B 882.5M
Work Instruction No.	201812044CD	Date	Jan.09.2019



(3) Electric Characteristic

Item	Specify	Performance
Center Freq.(Fo) +/- 0.5 %	882.5 MHz	882.5 MHz
Insertion Loss	Typ. 4.5 dB	3.63 dB
-3 dB Bandwidth	Typ. 15 MHz	18.0 MHz
Sensitivity (Attenuation)	Fo - 50 MHz	Typ. 36 dBc
	Fo + 50 MHz	Typ. 26 dBc
	Fo - () MHz	Typ. dBc
	Fo + () MHz	Typ. dBc
Return Loss	Min. 12 dB	35.7 dB
Ripple	< 1 dB	
Impedance	In / Out : 50 Ω	In / Out : 50 Ω

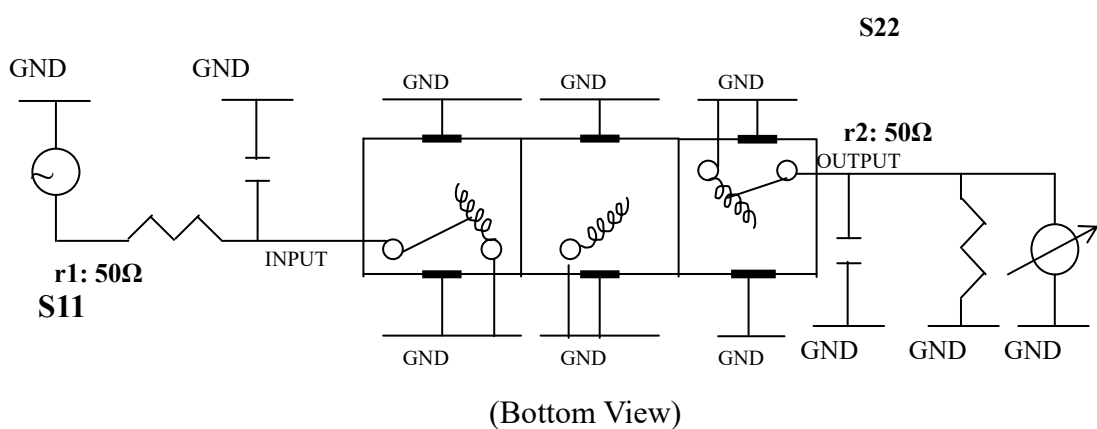
(4) Torque for Tuning Screw > 60gf • cm

(5) Temperature Condition:

Operating Temperature	0°C ~ +60°C
Storage Temperature	-20°C ~ +70°C

(6) Input Power > 1Watt

(7) Measuring Circuit: ※Easy to match Impedance S11/S22 50Ω by parallel with about (-) .



Approval C.Y.Chang	Supervisor C.K.Chang	Designer P.H.Chiang	Aperture size 7H3S(4*5.5)(5.56) 7H046RB4
-----------------------	-------------------------	------------------------	--

TEMWELL CORPORATION

Performance-TT63875B-882.5M

201812044CD

