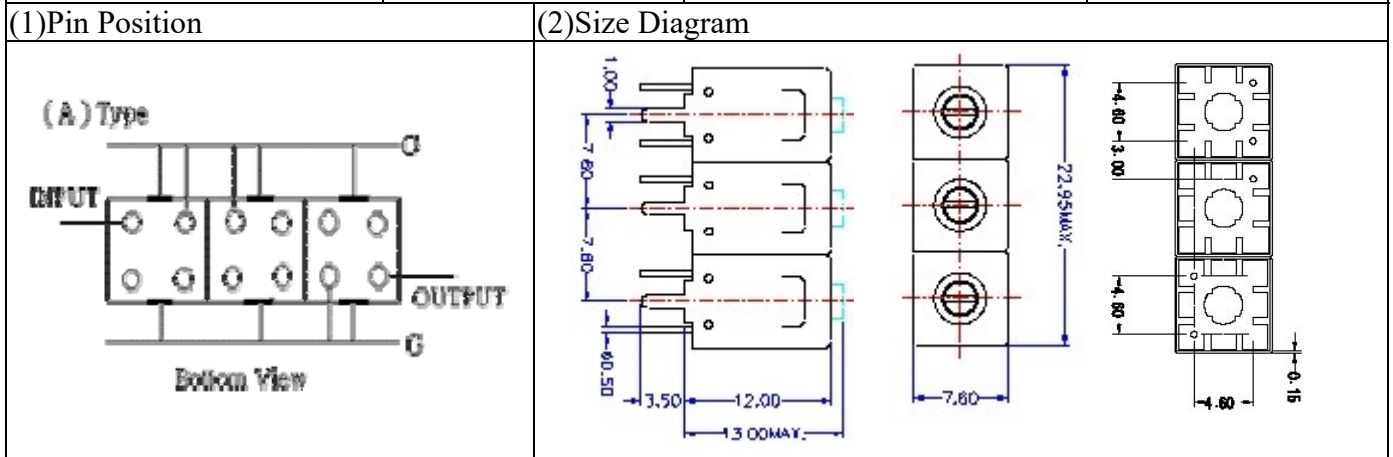


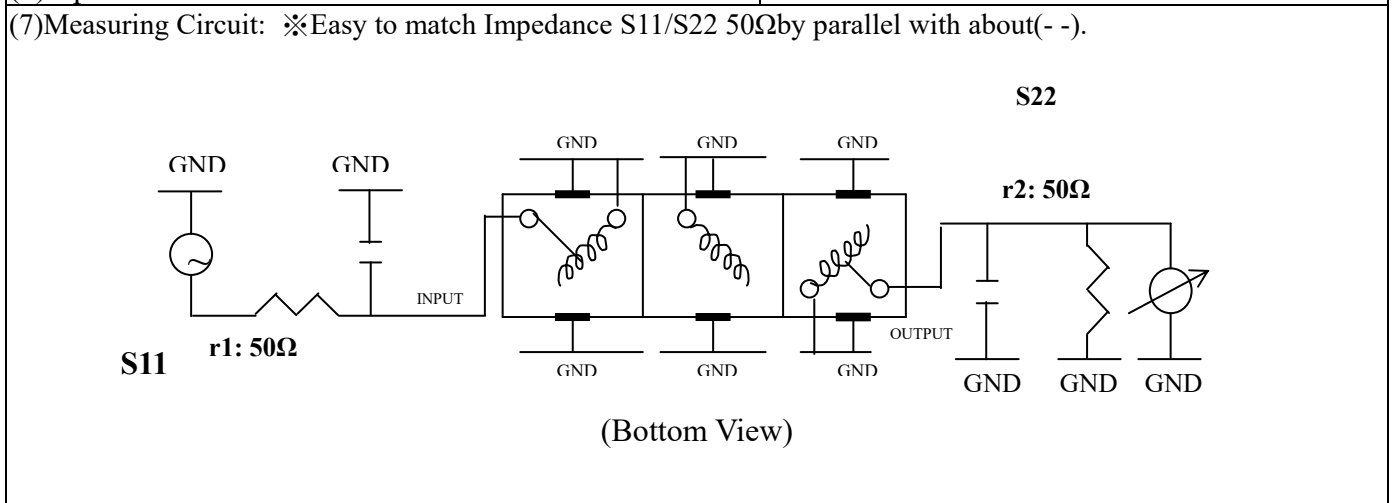
# VHF UHF Helical Filter Specification Sheet

Customer Name		Temwell's Part No.	TT63872A-867.5M
Approval No. /dated	201812041CD	Temwell's Print Name	63872A 867.5M
Work Instruction No.	201812041CD	Date	Jan.14.2019



(3) Electric Chararctic		Specify	Performance
Item			
Center Freq.(Fo) +/- 0.5 %		867.5 MHz	867.5 MHz
Insertion Loss		Typ. 4.5 dB	3.12 dB
-3 dB Bandwidth		Typ. 15 MHz	19.6 MHz
Sensitivity (Attenuation)	Fo - 50 MHz	Typ. 39 dBc	44 dBc
	Fo + 50 MHz	Typ. 30 dBc	35 dBc
	Fo - ( )MHz	Typ. dBc	dBc
	Fo +( )MHz	Typ. dBc	dBc
Return Loss		Min. 12 dB	20.9 dB
Ripple		< 1 dB	dB
Impedance		In / Out : 50 Ω	In / Out : 50 Ω
(4) Torque for Tuning Screw		> 60gf · cm	

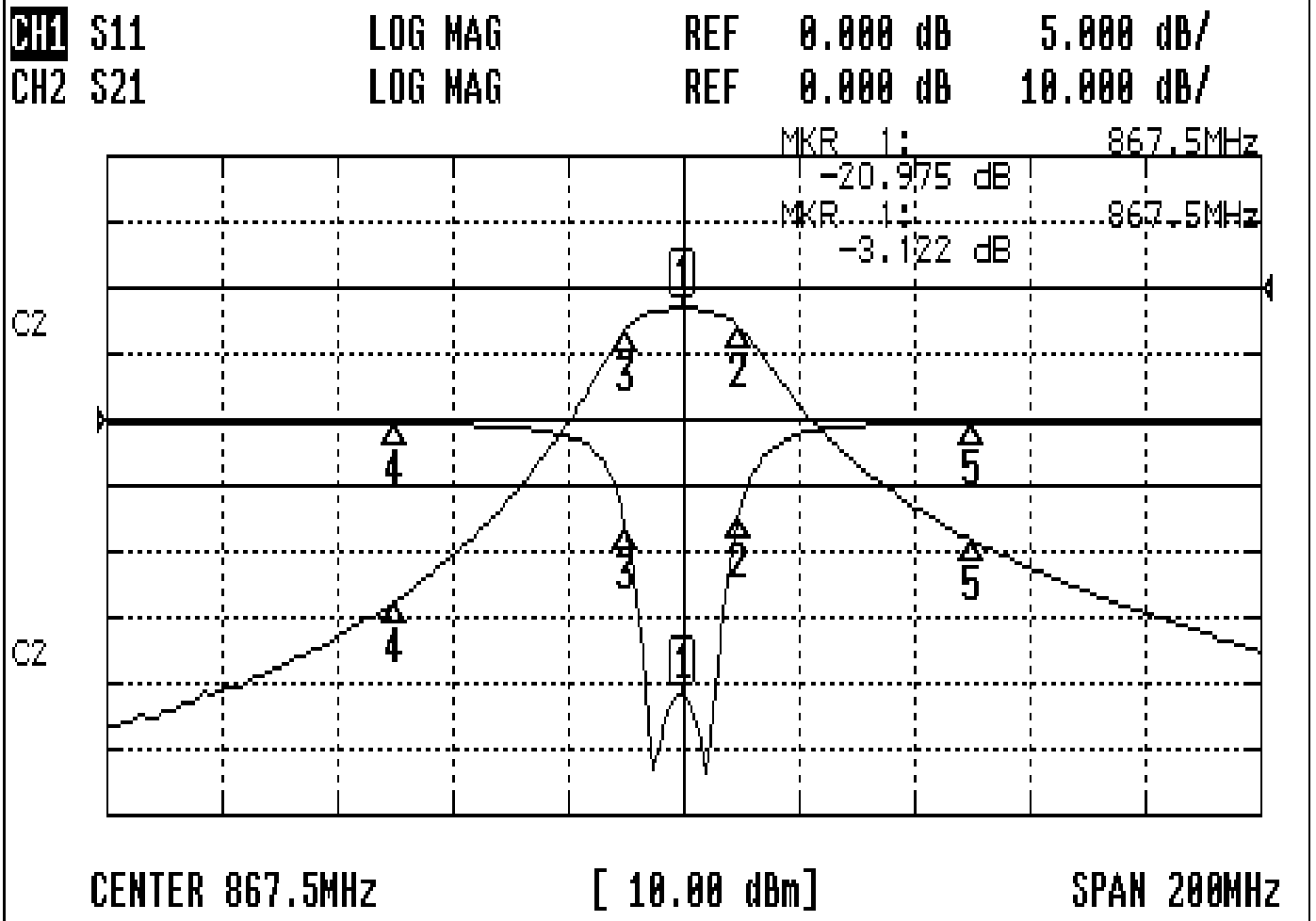
(5) Temperature Condition:	
Operating Temperature	0°C ~ +60°C
Storage Temperature	-20°C ~ +70°C
(6) Input Power	> 1Watt



Approval	Supervisor	Designer	Aperture size
C.Y.Chang	C.K.Chang	M.Y.Kang	7H3S(4*4.65)(4.74) 7H046LB4.3 聚 3
TEMWELL CORPORATION			

# Performance-TT63872A-867.5M

## 201812041CD



### CH1 MARKER LIST

1:	867.500MHz	-20.975 dB
2:	877.333MHz	-7.105 dB
3:	857.730MHz	-8.356 dB
4:	817.500MHz	-0.306 dB
5:	917.500MHz	-0.236 dB

### CH2 MARKER LIST

1:	867.500MHz	-3.122 dB
2:	877.333MHz	-6.151 dB
3:	857.730MHz	-6.172 dB
4:	817.500MHz	-47.381 dB
5:	917.500MHz	-38.279 dB