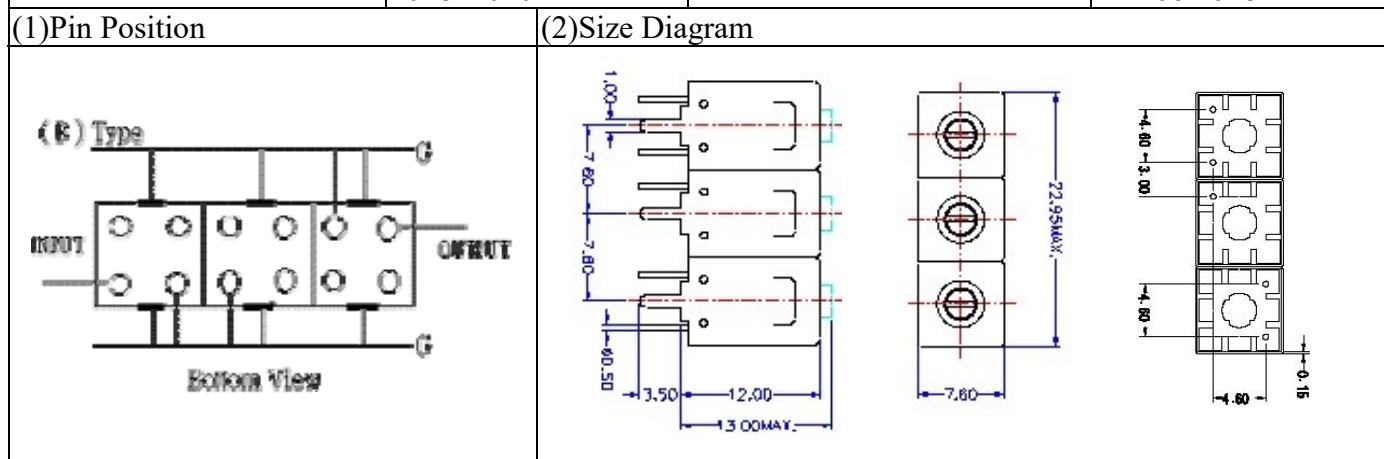


VHF UHF Helical Filter Specification Sheet

Customer Name		Temwell's Part No.	TT63871B-806M
Approval No. /dated	201812040CD	Temwell's Print name.	63871B 806M
Work Instruction No.	201812040CD	Date	Dec.06.2018



(3) Electric Chararctic

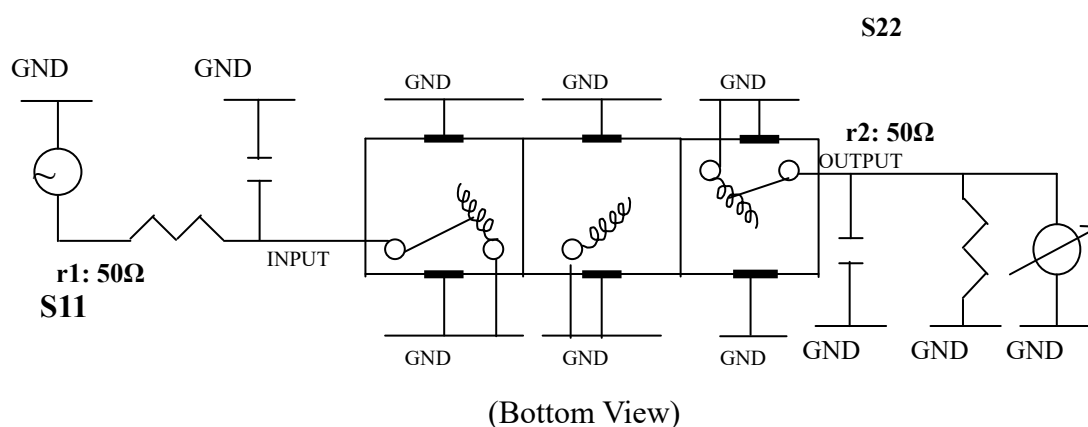
Item	Specify	Performance
Center Freq.(Fo) +/- 0.5 %	806 MHz	806 MHz
Insertion Loss	Typ. 3.0 dB	2.13 dB
-3 dB Bandwidth	Typ. 30 MHz	31.5 MHz
Sensitivity (Attenuation)	Fo - 100 MHz	Typ. 51 dBc
	Fo + 100 MHz	Typ. 41 dBc
	Fo - () MHz	Typ. dBc
	Fo + () MHz	Typ. dBc
Return Loss	Min. 12 dB	18.8 dB
Ripple	< 1 dB	dB
Impedance	In / Out : 50 Ω	In / Out : 50 Ω
(4) Torque for Tuning Screw	> 60gf · cm	

(5) Temperature Condition:

Operating Temperature	0°C ~ +60°C
Storage Temperature	-20°C ~ +70°C

(6) Input Power

(7) Measuring Circuit: ※Easy to match Impedance S11/S22 50Ω by parallel with about (-) .



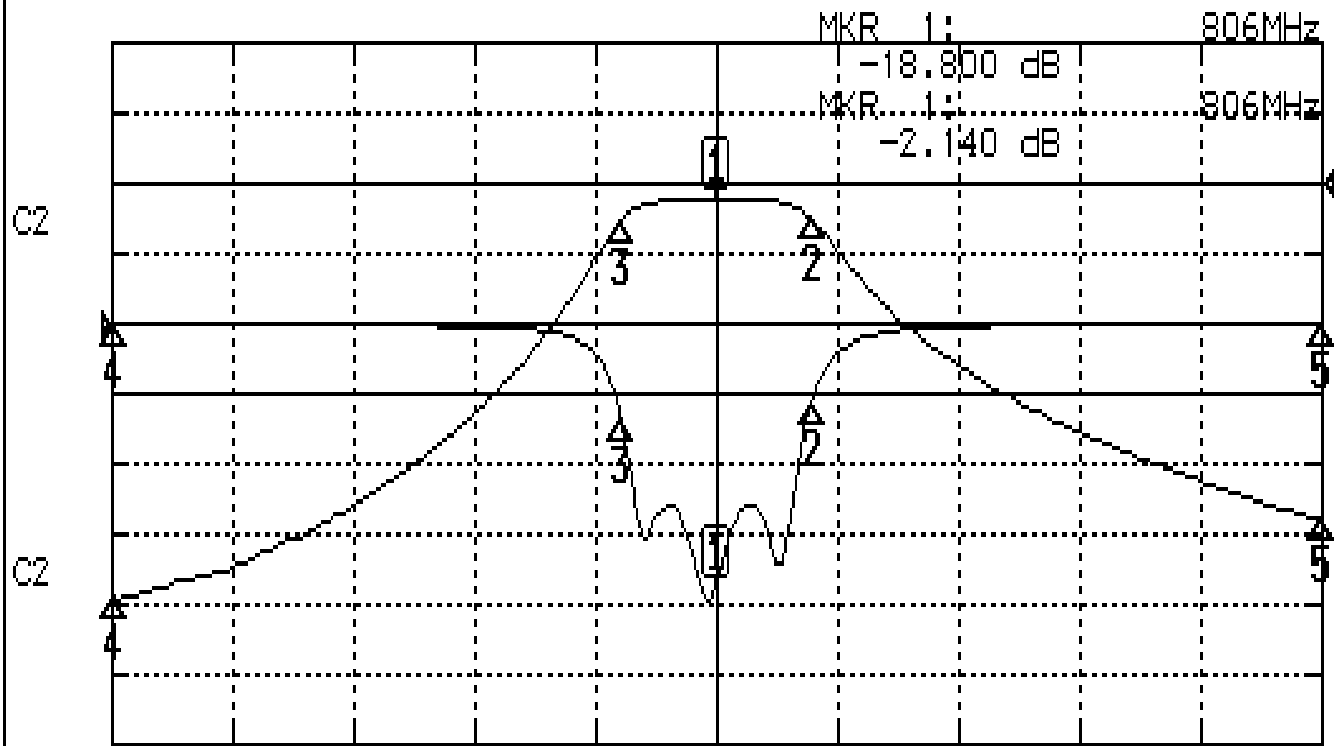
Approval C.Y.Chang	Supervisor C.K.Chang	Designer Z.Y.Wang	Aperture size 7H3S(4*5.5)(5.58) 7H046RB4
-----------------------	-------------------------	----------------------	--

TEMWELL CORPORATION

Performance-TT63871B-806M

201812040CD

CH1 S11 LOG MAG REF 0.000 dB 5.000 dB/
CH2 S21 LOG MAG REF 0.000 dB 10.000 dB/



CENTER 806MHz

[10.00 dBm]

SPAN 200MHz

CH1 MARKER LIST

1	806.000MHz	-18.8010 dB
2	821.8333MHz	-11.5026 dB
3	790.3333MHz	-10.8064 dB
4	706.000MHz	-10.052 dB
5	906.000MHz	0.000 dB

CH2 MARKER LIST

1	806.000MHz	-2.138 dB
2	821.8333MHz	-1.199 dB
3	790.3333MHz	-1.174 dB
4	706.000MHz	-10.942 dB
5	906.000MHz	-48.113 dB