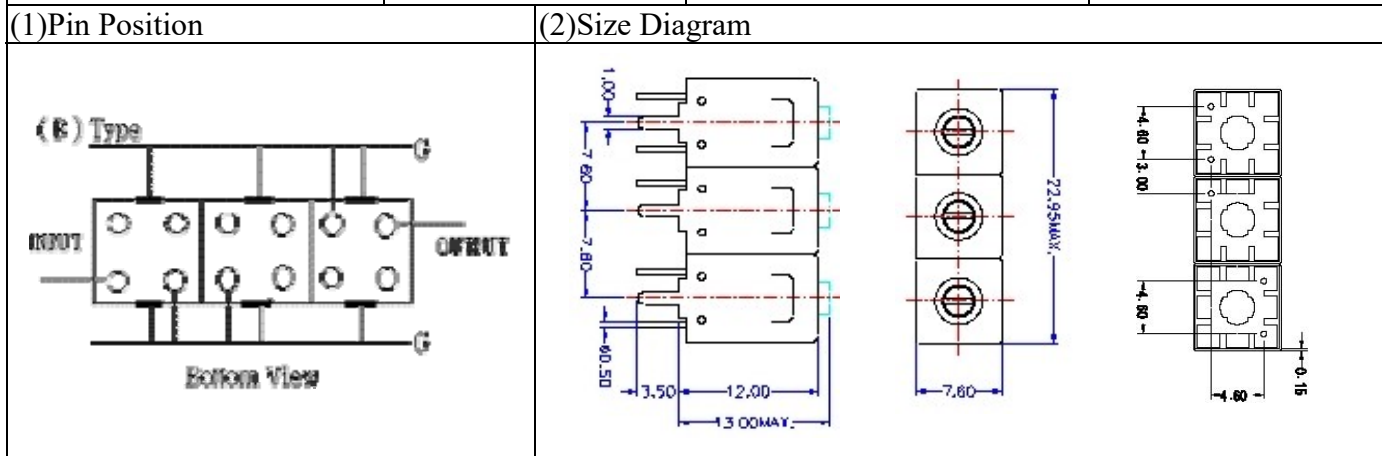


VHF UHF Helical Filter Specification Sheet

Customer Name		Temwell's Part No.	TT63870B-763M
Approval No. /dated	201812039CD	Temwell's Print name.	63870B 763M
Work Instruction No.	201812039CD	Date	Dec.06.2018



(3) Electric Chararctic

Item	Specify	Performance
Center Freq.(Fo) +/- 0.5 %	763 MHz	763 MHz
Insertion Loss	Typ. 5.5 dB	4.82 dB
-3 dB Bandwidth	Typ. 10 MHz	10.9 MHz
Sensitivity (Attenuation)	Fo - 50 MHz	Typ. 46 dBc
	Fo + 50 MHz	Typ. 35 dBc
	Fo - () MHz	Typ. dBc
	Fo + () MHz	Typ. dBc
Return Loss	Min. 12 dB	18.4 dB
Ripple	< 1 dB	dB
Impedance	In / Out : 50 Ω	In / Out : 50 Ω
(4) Torque for Tuning Screw	> 60gf · cm	

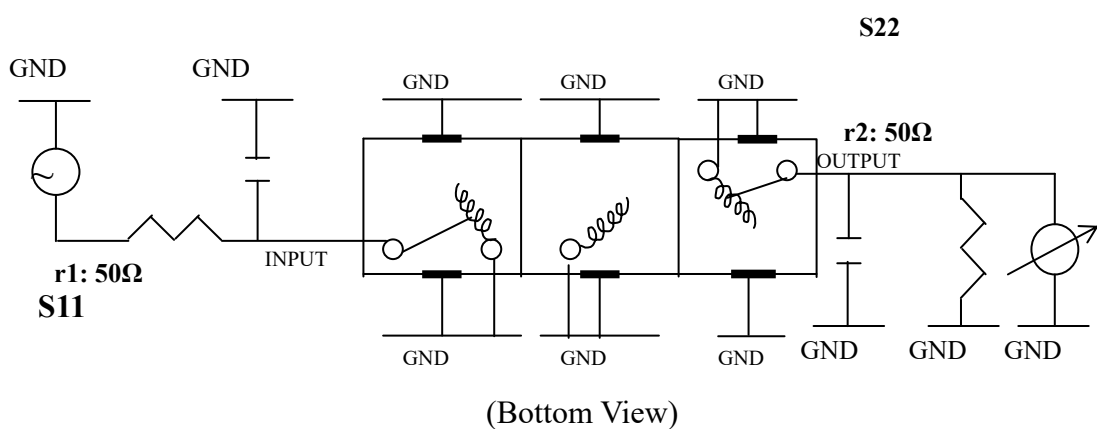
(5) Temperature Condition:

Operating Temperature	0°C ~ +60°C
Storage Temperature	-20°C ~ +70°C

(6) Input Power

	> 1 Watt
--	----------

(7) Measuring Circuit: ※Easy to match Impedance S11/S22 50Ω by parallel with about (-) .



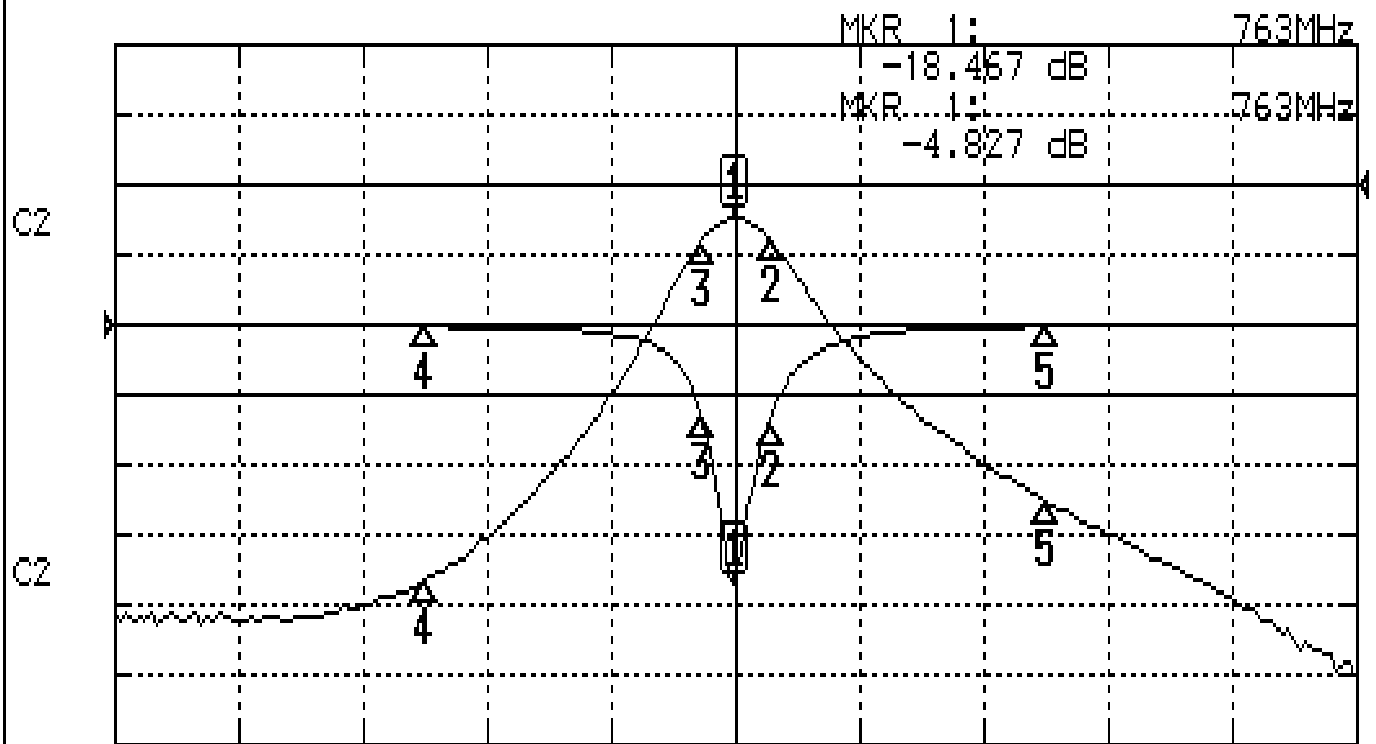
Approval C.Y.Chang	Supervisor C.K.Chang	Designer Z.Y.Wang	Aperture size 7H3S(4*5.35)(5.38) 7H046RB4
-----------------------	-------------------------	----------------------	---

TEMWELL CORPORATION

Performance-TT63870B-763M

201812039CD

CH1 S11 LOG MAG REF 0.000 dB 5.000 dB/
CH2 S21 LOG MAG REF 0.000 dB 10.000 dB/



CENTER 763MHz

[10.00 dBm]

SPAN 200MHz

CH1 MARKER LIST

1:	763.000MHz	-18.467	dB
2:	768.600MHz	-6.851	dB
3:	757.650MHz	-6.433	dB
4:	713.000MHz	-0.127	dB
5:	813.000MHz	-0.137	dB

CH2 MARKER LIST

1:	763.000MHz	-4.827	dB
2:	768.600MHz	-7.821	dB
3:	757.650MHz	-7.841	dB
4:	713.000MHz	-35.941	dB
5:	813.000MHz	-45.189	dB