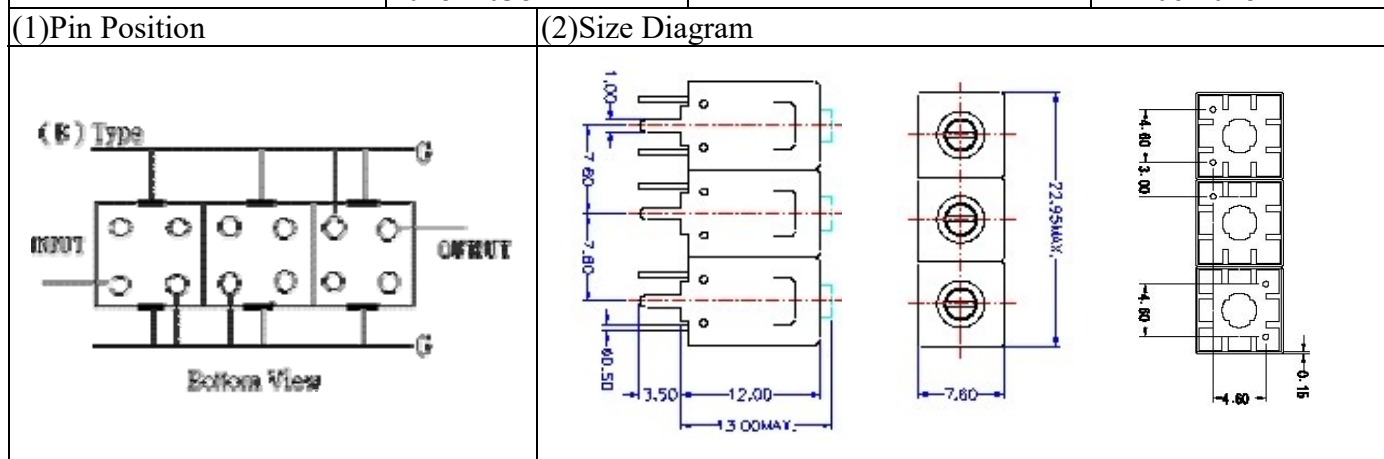


# VHF UHF Helical Filter Specification Sheet

Customer Name		Temwell's Part No.	TT63869A-751M
Approval No. /dated	201812038CD	Temwell's Print name.	63869A 751M
Work Instruction No.	201812038CD	Date	Dec.06.2018



(3) Electric Characteristic

Item	Specify	Performance
Center Freq.(Fo) +/- 0.5 %	751 MHz	751 MHz
Insertion Loss	Typ. 6.0 dB	4.98 dB
-3 dB Bandwidth	Typ. 10 MHz	10.7 MHz
Sensitivity (Attenuation)	Fo - 50 MHz	Typ. 57 dBc
	Fo + 50 MHz	Typ. 39 dBc
	Fo - ( ) MHz	Typ. dBc
	Fo + ( ) MHz	Typ. dBc
Return Loss	Min. 12 dB	28.3 dB
Ripple	< 1 dB	dB
Impedance	In / Out : 50 Ω	In / Out : 50 Ω
(4) Torque for Tuning Screw	> 60gf · cm	

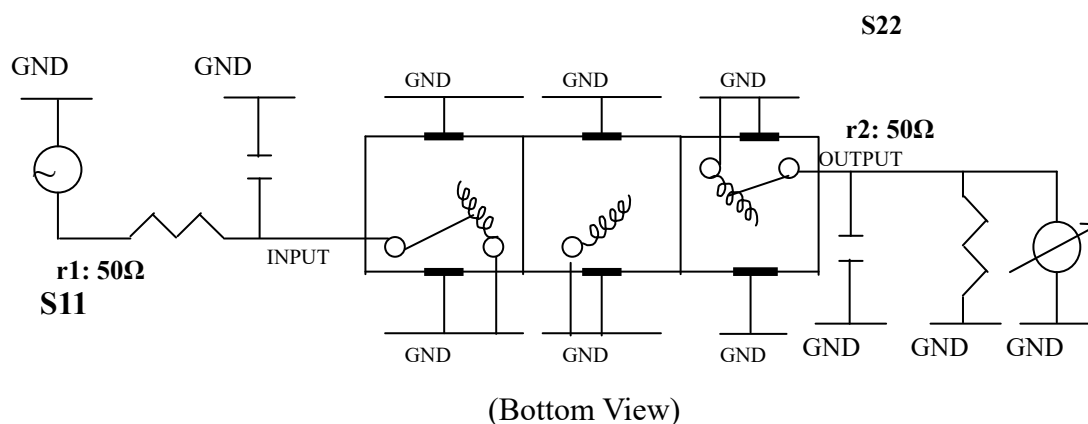
(5) Temperature Condition:

Operating Temperature	0°C ~ +60°C
Storage Temperature	-20°C ~ +70°C

(6) Input Power

> 1 Watt
----------

(7) Measuring Circuit: ※Easy to match Impedance S11/S22 50Ω by parallel with about (-) .

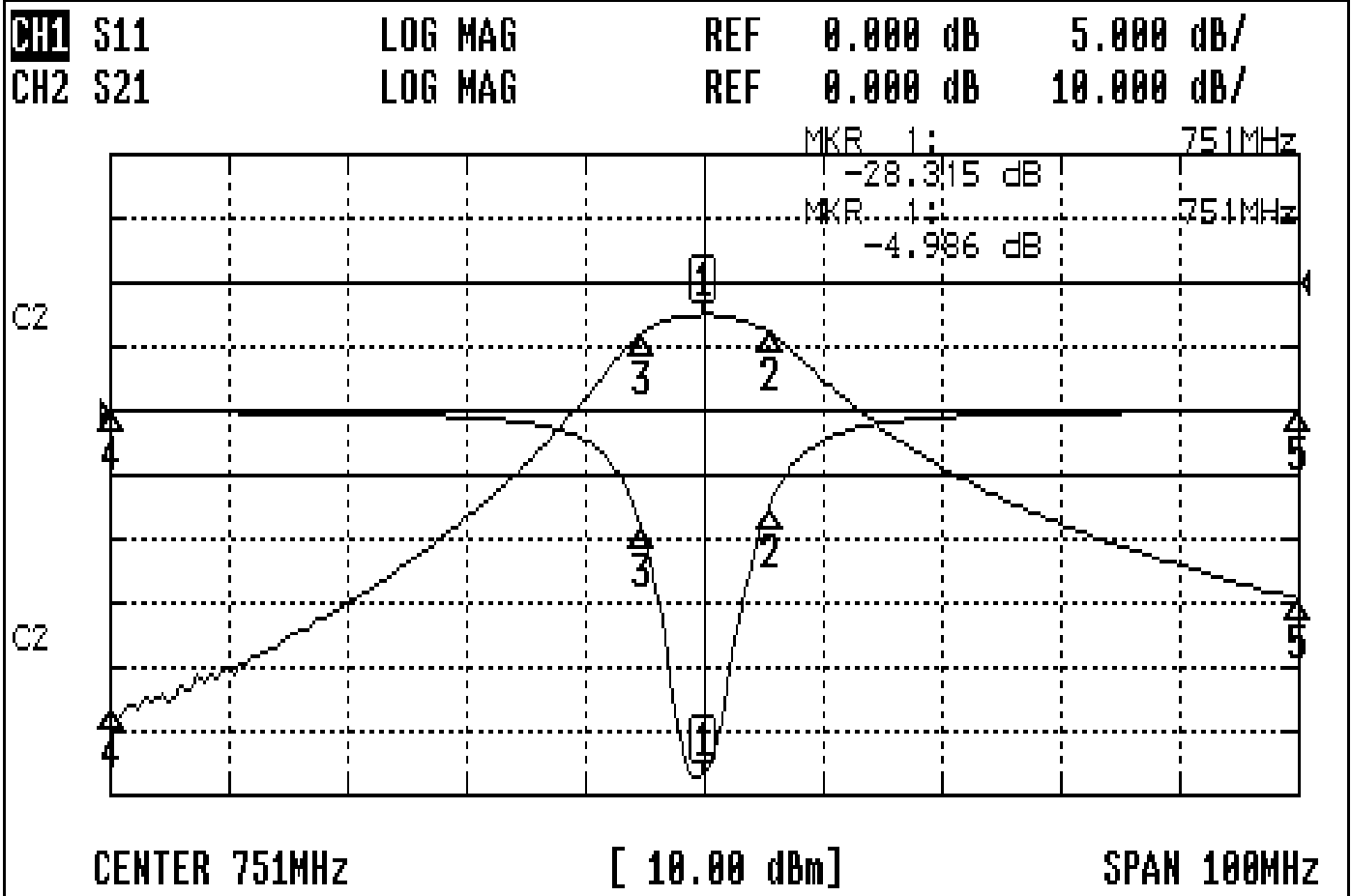


Approval C.Y.Chang	Supervisor C.K.Chang	Designer Z.Y.Wang	Aperture size 7H3S(4*4.65)(4.68) 7H046LB4.3 聚 3
-----------------------	-------------------------	----------------------	---

TEMWELL CORPORATION

# Performance-TT63869A-751M

## 201812038CD



### CH1 MARKER LIST

1:	751.000MHz	-28.331	dB
2:	756.600MHz	-7.395	dB
3:	745.810MHz	-9.228	dB
4:	701.000MHz	-0.102	dB
5:	801.000MHz	-0.078	dB

### CH2 MARKER LIST

1:	751.000MHz	-4.986	dB
2:	756.600MHz	-0.006	dB
3:	745.810MHz	-0.009	dB
4:	701.000MHz	-67.344	dB
5:	801.000MHz	-49.335	dB