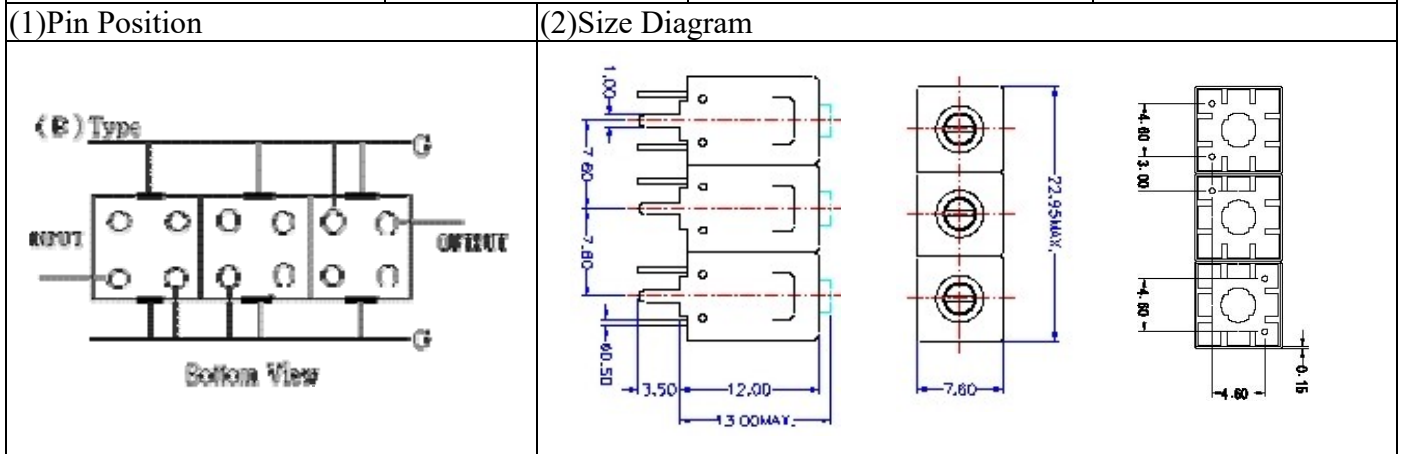


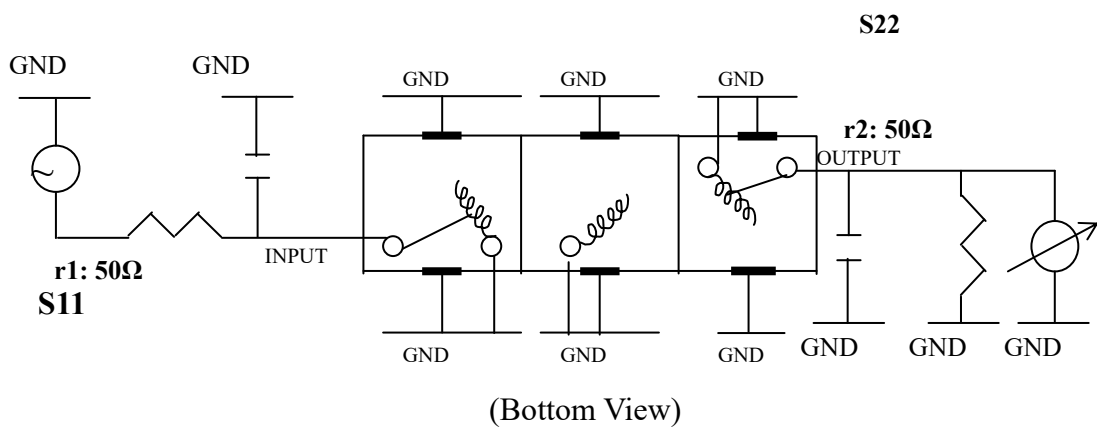
VHF UHF Helical Filter Specification Sheet

Customer Name		Temwell's Part No.	TT63867B-737.5M
Approval No. /dated	201812036CD	Temwell's Print name.	63867B 737.5M
Work Instruction No.	201812036CD	Date	Dec.06.2018



(3) Electric Chararistic			
Item		Specify	Performance
Center Freq.(Fo) +/- 0.5 %		737.5 MHz	737.5 MHz
Insertion Loss		Typ. 3.5 dB	2.80 dB
-3 dB Bandwidth		Typ. 17 MHz	18.6 MHz
Sensitivity (Attenuation)	Fo - 50 MHz	Typ. 39 dBc	42 dBc
	Fo + 50 MHz	Typ. 29 dBc	32 dBc
	Fo - () MHz	Typ dBc	dBc
	Fo + () MHz	Typ. dBc	dBc
Return Loss		Min. 12 dB	25.8 dB
Ripple		< 1 dB	dB
Impedance		In / Out : 50 Ω	In / Out : 50 Ω
(4) Torque for Tuning Screw		> 60gf • cm	
(5) Temperature Condition:			
Operating Temperature		0°C ~ +60°C	
Storage Temperature		-20°C ~ +70°C	
(6) Input Power		> 1 Watt	

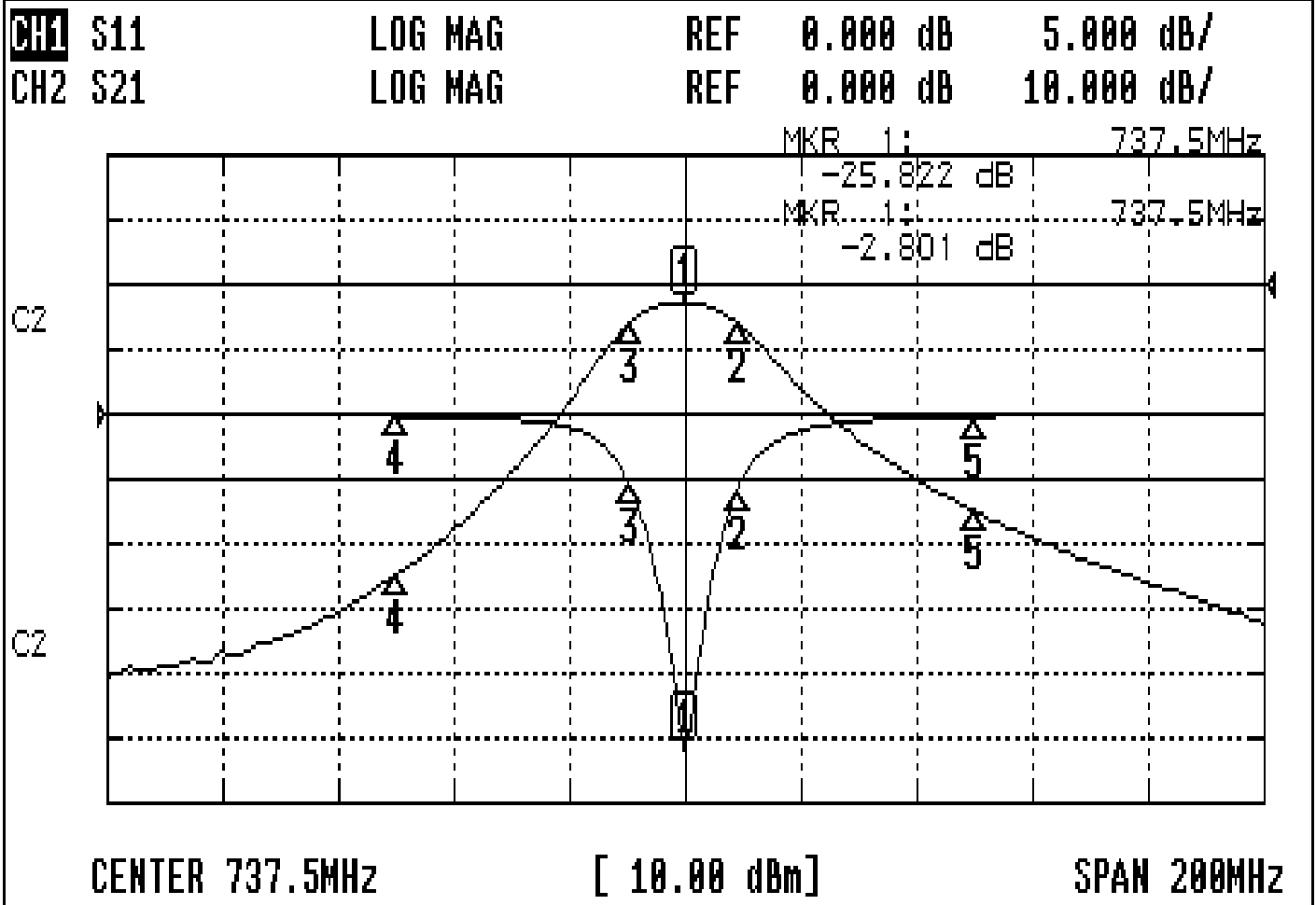
(7) Measuring Circuit: ※Easy to match Impedance S11/S22 50Ω by parallel with about (--).



Approval C.Y.Chang	Supervisor C.K.Chang	Designer Z.Y.Wang	Aperture size 7H3S(4*5.35)(5.38) 7H046RB4
TEMWELL CORPORATION			

Performance-TT63867B-737.5M

201812036CD



CH1 MARKER LIST

1:	737.500MHz	-25.837	dB
2:	746.666MHz	-15.785	dB
3:	728.000MHz	-5.473	dB
4:	687.500MHz	-0.144	dB
5:	787.500MHz	-0.167	dB

CH2 MARKER LIST

1:	737.500MHz	-2.801	dB
2:	746.666MHz	-15.870	dB
3:	728.000MHz	-15.897	dB
4:	687.500MHz	-44.832	dB
5:	787.500MHz	-34.898	dB