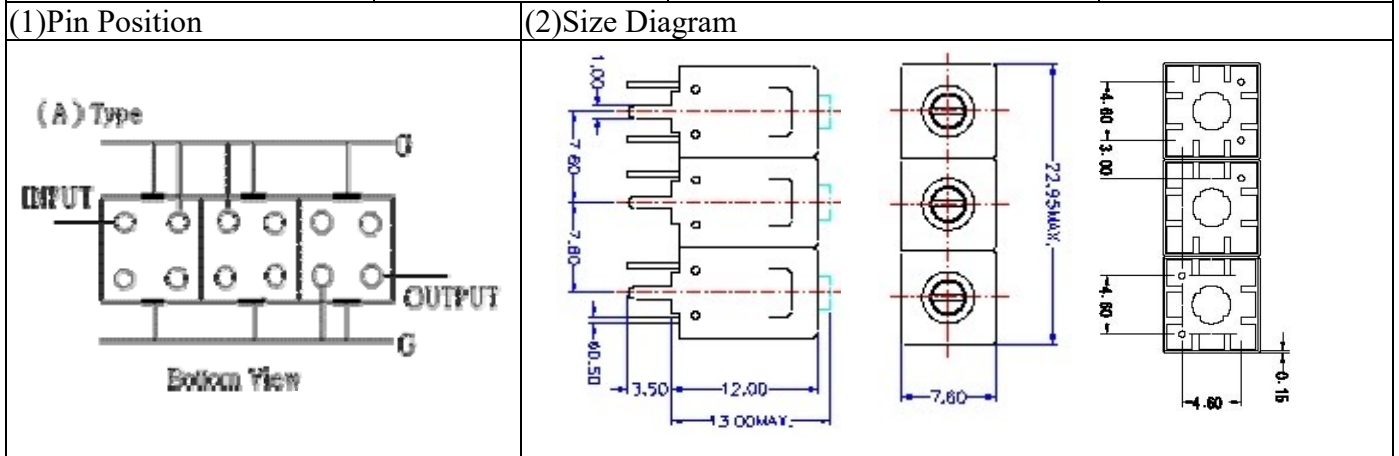


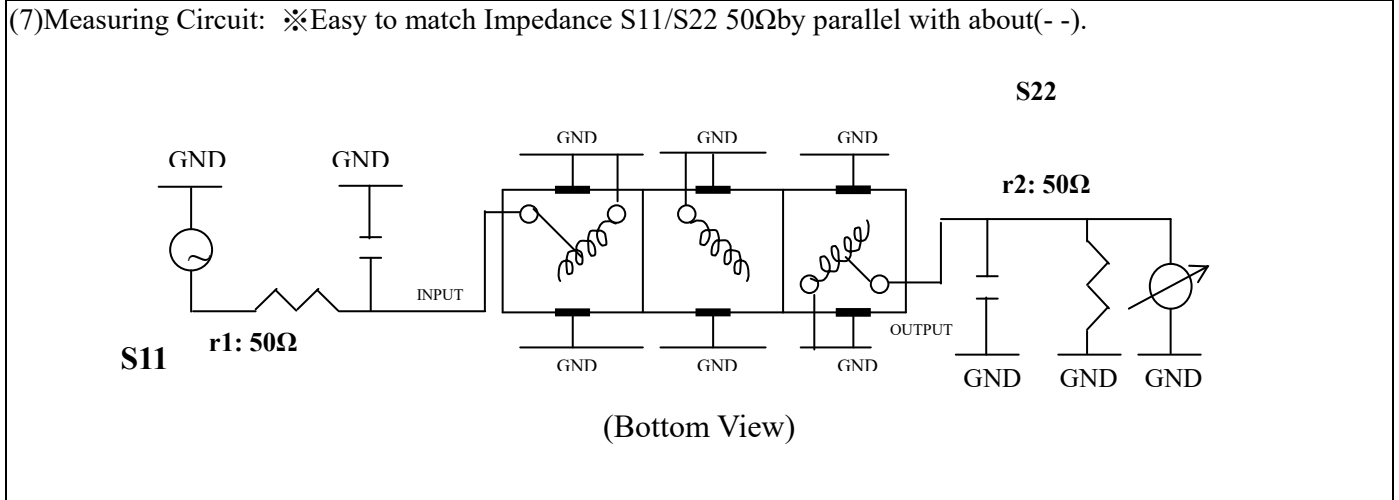
VHF UHF Helical Filter Specification Sheet

Customer Name		Temwell's Part No.	TT63865A-822.5M
Approval No. /dated	201812023CD	Temwell's print name	63865A 822.5M
Work Instruction No.	201812023CD	Date	Dec.12.2018



(3) Electric Characteristic			
Item	Specify	Performance	
Center Freq.(Fo) +/- 0.5 %	822.5 MHz	822.5	MHz
Insertion Loss	Typ. 4.0 dB	3.00	dB
-3 dB Bandwidth	Typ. 15 MHz	18.3	MHz
Sensitivity (Attenuation)	Fo - 100 MHz	Typ. 58	dBc
	Fo + 100 MHz	Typ. 47	dBc
	Fo - ()MHz	Typ.	dBc
	Fo + ()MHz	Typ.	dBc
Return Loss	Min. 12 dB	26.2	dB
Ripple	< 1 dB		dB
Impedance	In / Out : 50 Ω	In / Out : 50 Ω	
(4) Torque for Tuning Screw	> 60gf · cm		

(5) Temperature Condition:	
Operating Temperature	0°C ~ +60°C
Storage Temperature	-20°C ~ +70°C
(6) Input Power	> 1Watt



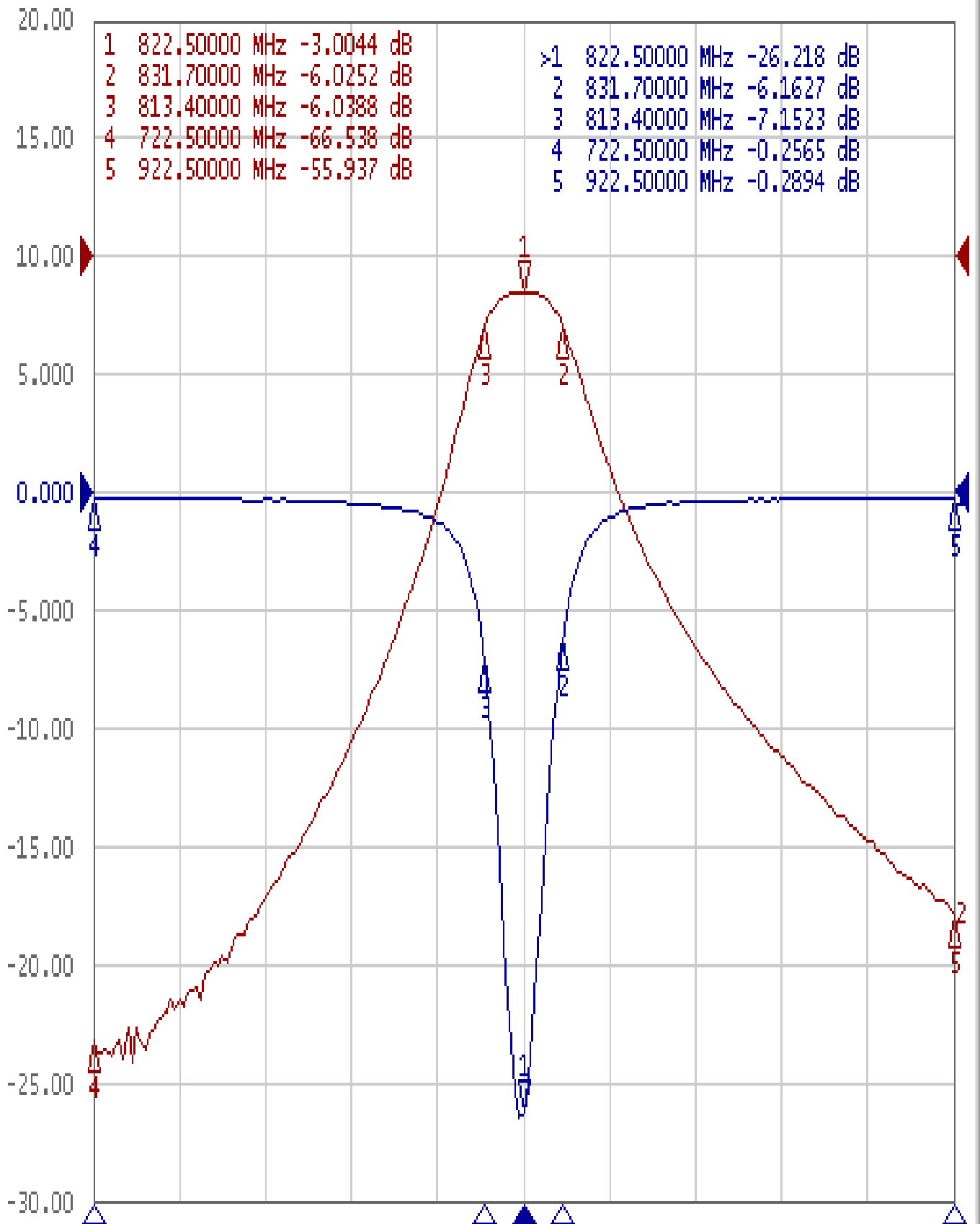
Approval	Supervisor	Designer	Aperture size
C.Y.Chang	C.K.Chang	W.W.Wang	7H3S(4*4.65)(4.68) 7H046LB4.3 聚 3

Performance-TT63865A-822.5M

201812023CD

▶ Tr1 S11 Log Mag 5.000dB/ Ref 0.000dB [F2]

Tr2 S21 Log Mag 10.00dB/ Ref 0.000dB [F2]



1 Center 822.5 MHz

IFBW 70 kHz

Span 200 MHz Cor !