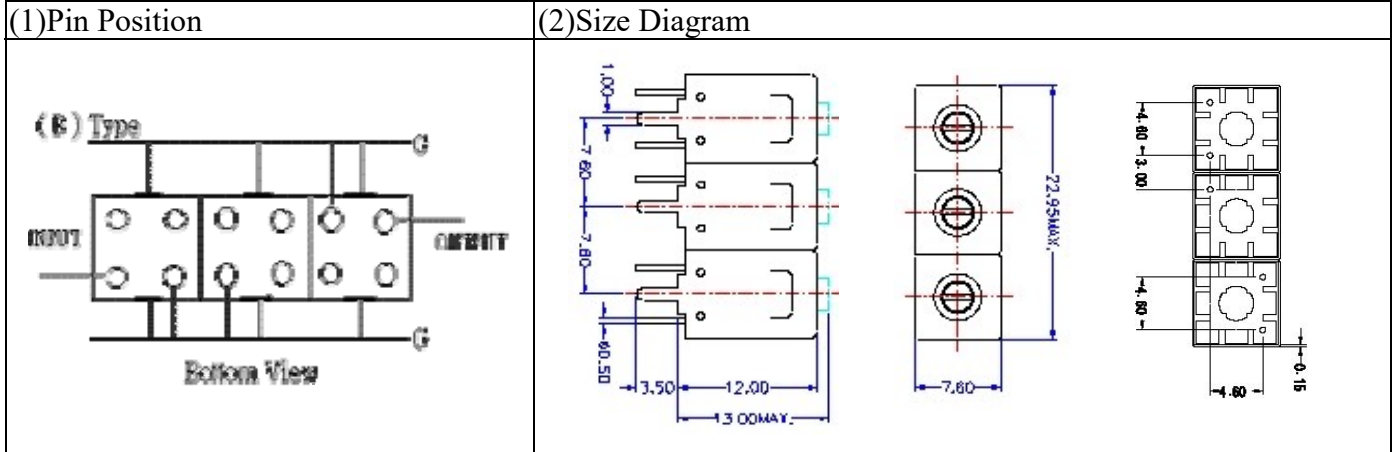


VHF UHF Helical Filter Specification Sheet

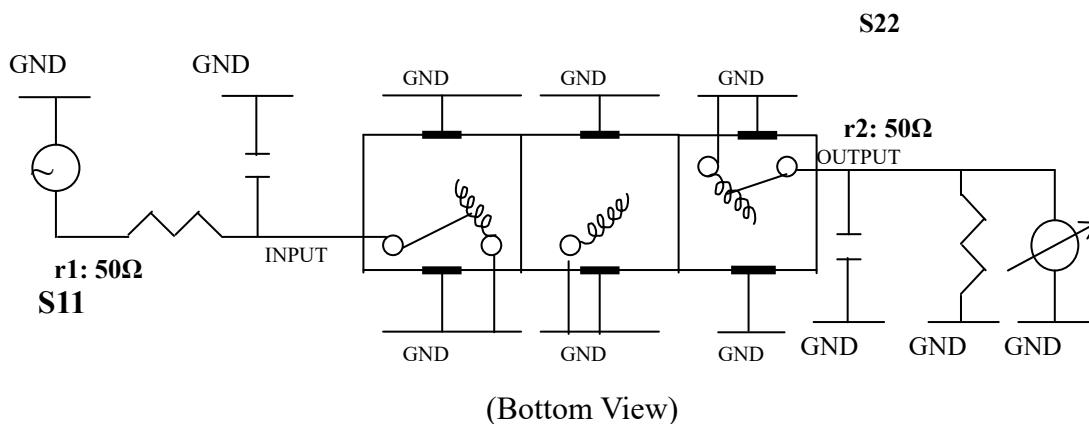
Customer Name		Temwell's Part No.	TT63840B-713M
Approval No. /dated	201811025CD	Temwell's Print name.	63840B 713M
Work Instruction No.	201811025CD	Date	Dec.07.2018



(3) Electric Chararistic		Specify	Performance
Item			
Center Freq.(Fo) +/- 0.5 %		713 MHz	713 MHz
Insertion Loss		Typ. 3.0 dB	1.52 dB
-3 dB Bandwidth		Typ. 30 MHz	33.0 MHz
Sensitivity (Attenuation)	Fo - 100 MHz	Typ. 55 dBc	60 dBc
	Fo + 100 MHz	Typ. 36 dBc	41 dBc
	Fo - () MHz	Typ. dBc	dBc
	Fo + () MHz	Typ. dBc	dBc
Return Loss		Min. 12 dB	18.4 dB
Ripple		< 1 dB	dB
Impedance		In / Out : 50 Ω	In / Out : 50 Ω
(4) Torque for Tuning Screw		> 60gf · cm	

(5) Temperature Condition:	
Operating Temperature	0°C ~ +60°C
Storage Temperature	-20°C ~ +70°C
(6) Input Power	> 1 Watt

(7) Measuring Circuit: ※Easy to match Impedance S11/S22 50Ω by parallel with about (-).



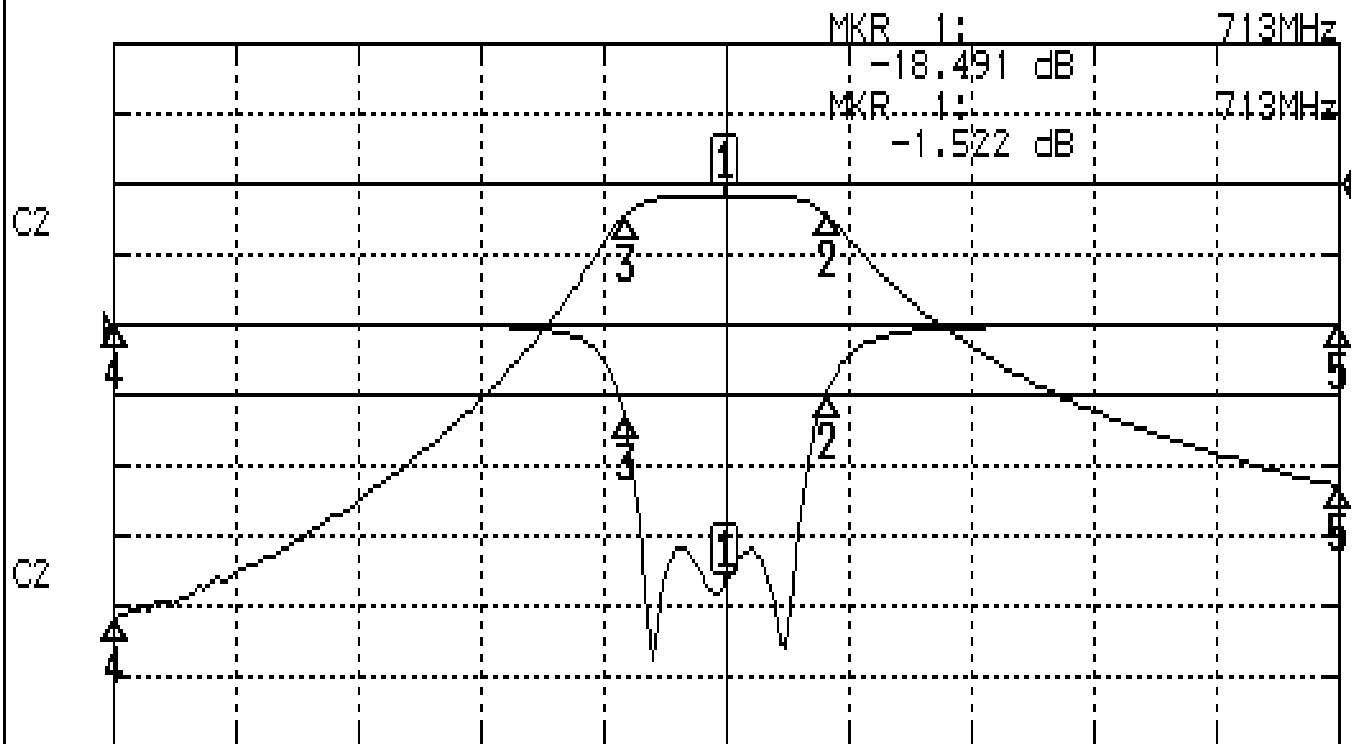
Approval	Supervisor	Designer	Aperture size
C.Y.Chang	C.K.Chang	M.Y.Kang	7H3S(4*6.35)(6.37) 7H046RB4

TEMWELL CORPORATION

Performance-TT63840B-713M

201811025CD

CH1 S11 LOG MAG REF 0.000 dB 5.000 dB/
CH2 S21 LOG MAG REF 0.000 dB 10.000 dB/



CENTER 713MHz

[10.00 dBm]

SPAN 200MHz

CH1 MARKER LIST

1:	713.000MHz	-18.491	dB
2:	729.500MHz	-4.886	dB
3:	696.500MHz	-6.559	dB
4:	613.000MHz	0.060	dB
5:	813.000MHz	0.087	dB

CH2 MARKER LIST

1:	713.000MHz	-1.525	dB
2:	729.500MHz	-4.589	dB
3:	696.500MHz	-4.517	dB
4:	613.000MHz	-61.827	dB
5:	813.000MHz	-43.118	dB