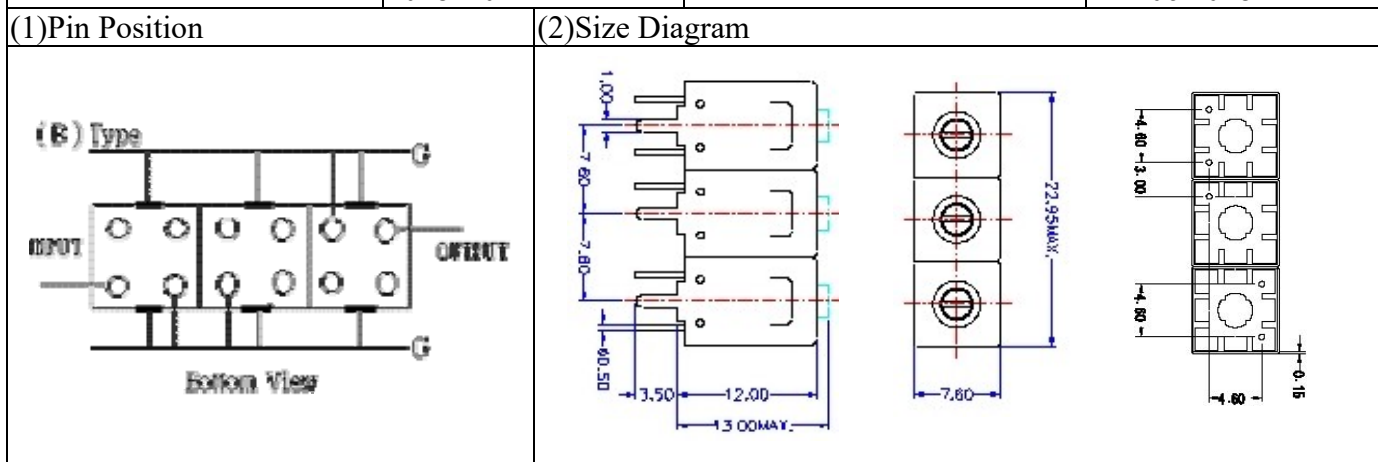


VHF UHF Helical Filter Specification Sheet

Customer Name		Temwell's Part No.	TT63839B-707M
Approval No. /dated	201811024CD	Temwell's Print name.	63839B 707M
Work Instruction No.	201811024CD	Date	Dec.06.2018



(3) Electric Characteristic

Item	Specify	Performance	
Center Freq.(Fo) +/- 0.5 %	707 MHz	707 MHz	
Insertion Loss	Typ. 3.5 dB	2.22 dB	
-3 dB Bandwidth	Typ. 18 MHz	21.5 MHz	
Sensitivity (Attenuation)	Fo - 50 MHz	Typ. 36 dBc	41 dBc
	Fo + 50 MHz	Typ. 26 dBc	31 dBc
	Fo - () MHz	Typ. dBc	dBc
	Fo + () MHz	Typ. dBc	dBc
Return Loss	Min. 12 dB	22.7 dB	
Ripple	< 1 dB	dB	
Impedance	In / Out : 50 Ω	In / Out : 50 Ω	

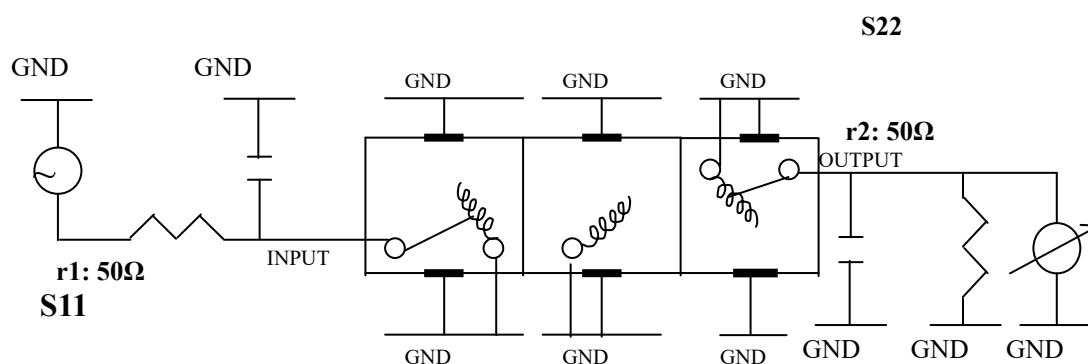
(4) Torque for Tuning Screw > 60gf · cm

(5) Temperature Condition:

Operating Temperature	0°C ~ +60°C
Storage Temperature	-20°C ~ +70°C

(6) Input Power > 1Watt

(7) Measuring Circuit: ※Easy to match Impedance S11/S22 50Ω by parallel with about (--).



(Bottom View)

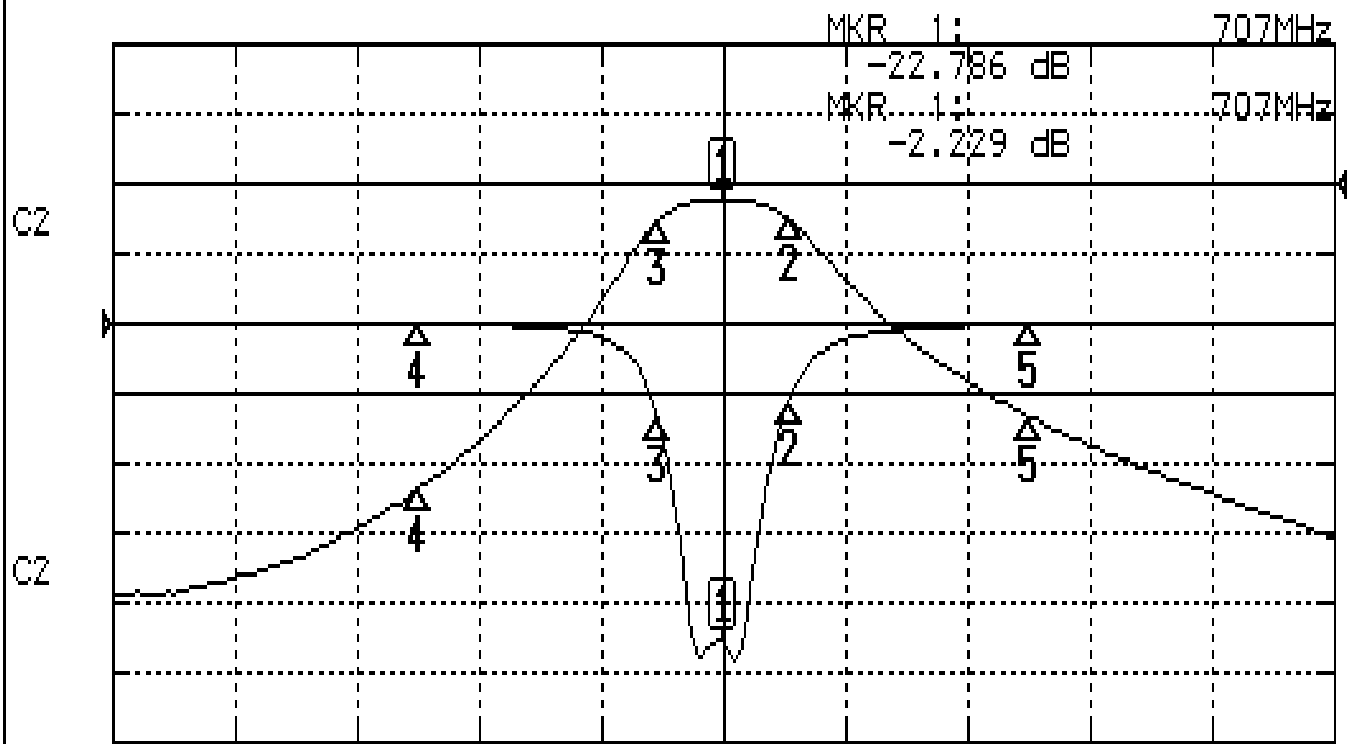
Approval C.Y.Chang	Supervisor C.K.Chang	Designer M.Y.Kang	Aperture size 7H3S(4*5.5)(5.56) 7H046RB4
-----------------------	-------------------------	----------------------	--

TEMWELL CORPORATION

Performance-TT63839B-707M

201811024CD

CH1 S11 LOG MAG REF 0.000 dB 5.000 dB/
CH2 S21 LOG MAG REF 0.000 dB 10.000 dB/



CENTER 707MHz

[10.00 dBm]

SPAN 200MHz

CH1 MARKER LIST

1:	707.000MHz	-22.786 dB
2:	717.900MHz	-15.449 dB
3:	696.333MHz	-6.787 dB
4:	657.000MHz	-0.019 dB
5:	757.000MHz	-0.062 dB

CH2 MARKER LIST

1:	707.000MHz	-2.229 dB
2:	717.900MHz	-15.252 dB
3:	696.333MHz	-15.293 dB
4:	657.000MHz	-43.832 dB
5:	757.000MHz	-33.281 dB