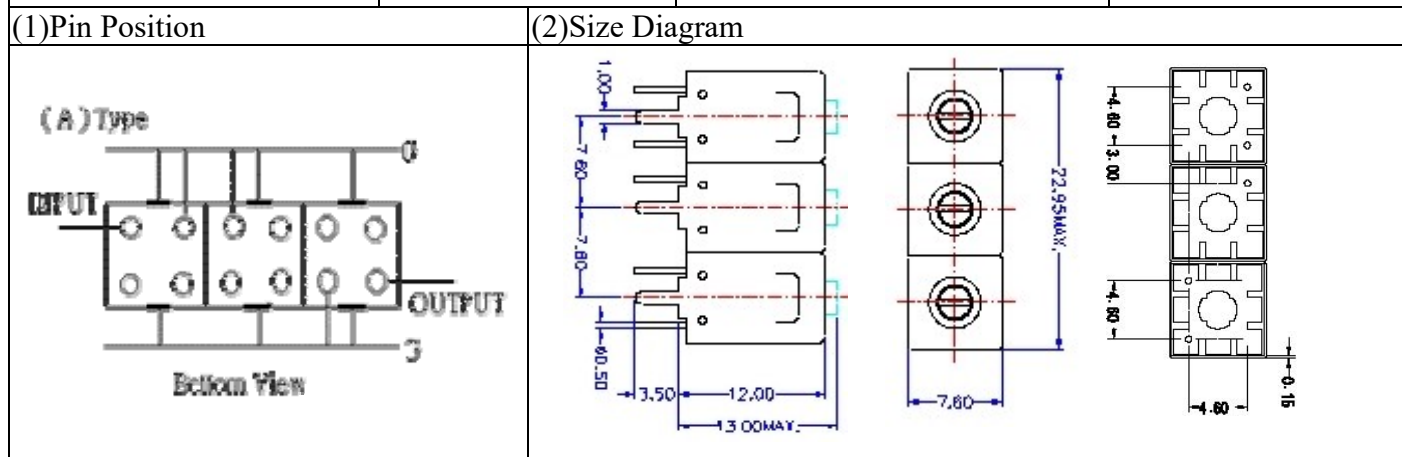
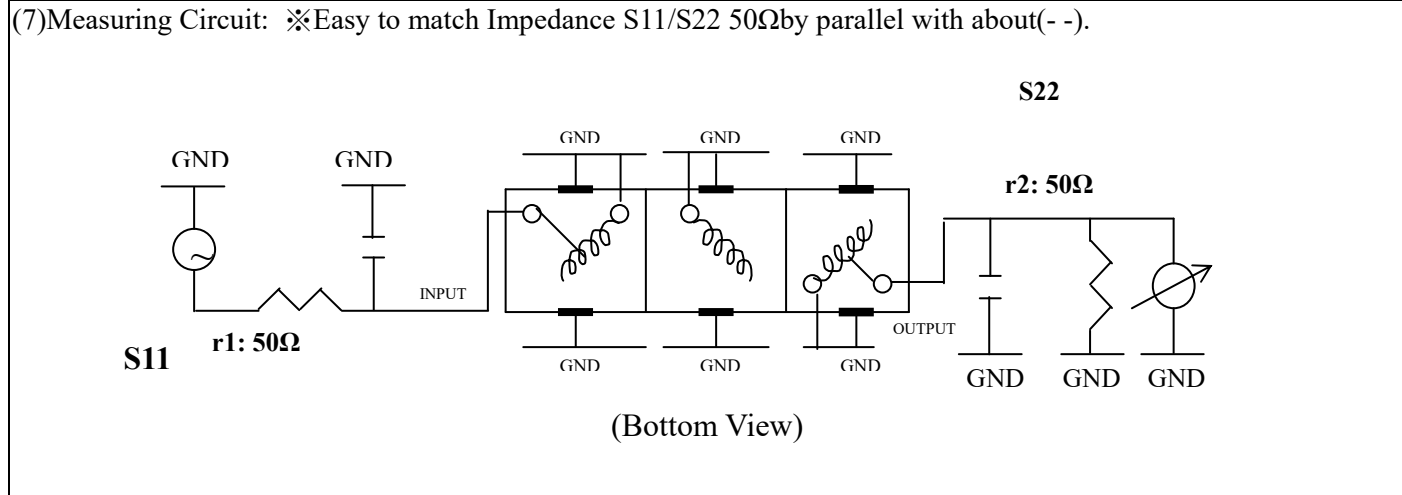


VHF UHF Helical Filter Specification Sheet

Customer Name		Temwell's Part No.	TT63838A-680.5M
Approval No. /dated	201811023CD	Temwell's print name	63838A 680.5M
Work Instruction No.	201811023CD	Date	Dec.05.2018



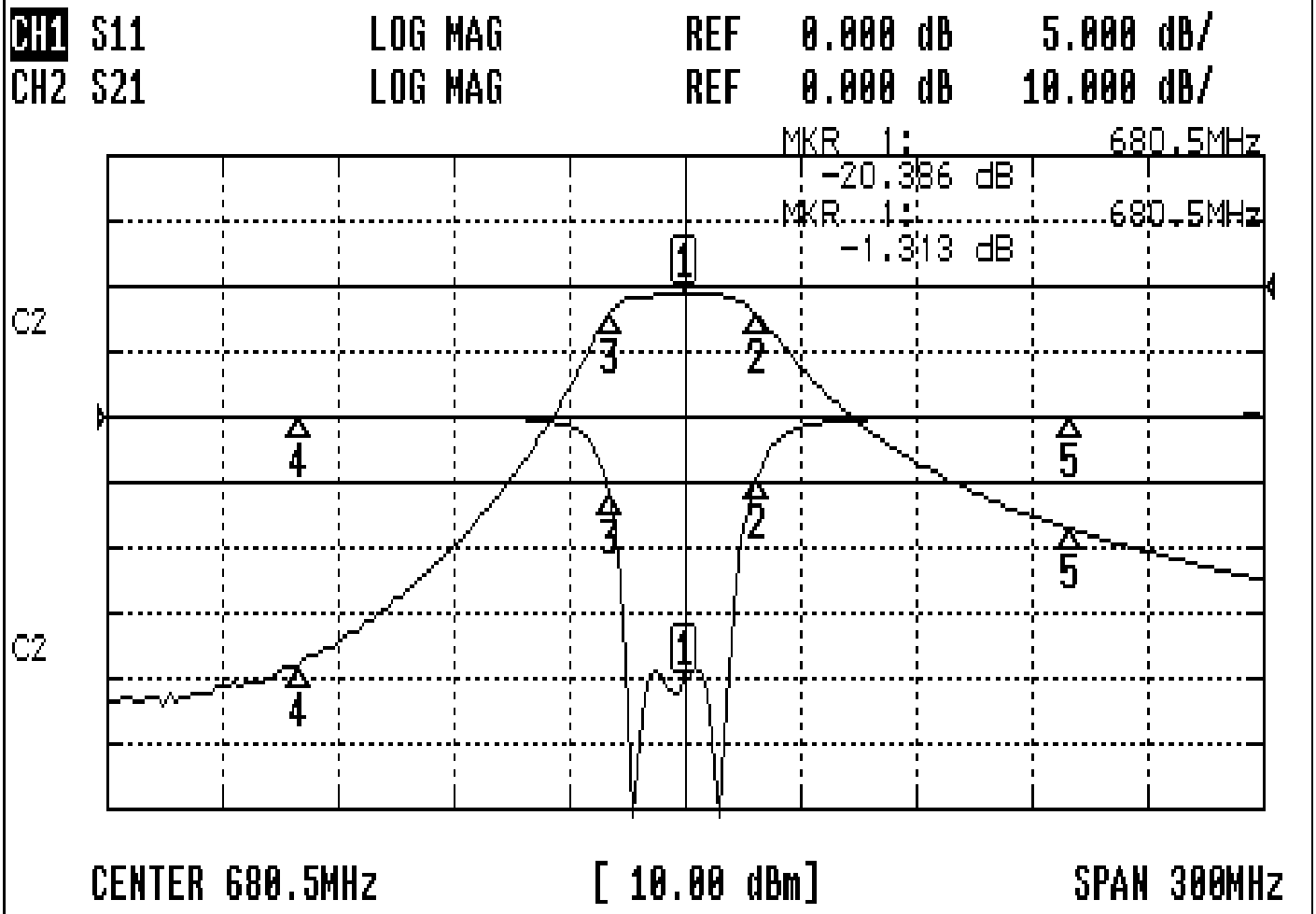
(3) Electric Characteristic					
Item		Specify		Performance	
Center Freq.(Fo) +/- 0.5 %		680.5 MHz		680.5 MHz	
Insertion Loss		Typ. 2.5 dB		1.31 dB	
-3 dB Bandwidth		Typ. 35 MHz		38.3 MHz	
Sensitivity (Attenuation)	Fo - 100 MHz	Typ. 50 dBc		55 dBc	
	Fo + 100 MHz	Typ. 30 dBc		35 dBc	
	Fo - ()MHz	Typ. dBc		dBc	
	Fo + ()MHz	Typ. dBc		dBc	
Return Loss		Min. 12 dB		20.3 dB	
Ripple		< 1 dB		dB	
Impedance		In / Out : 50 Ω		In / Out : 50 Ω	
(4) Torque for Tuning Screw		> 60gf · cm			
(5) Temperature Condition:					
Operating Temperature		0°C ~ +60°C			
Storage Temperature		-20°C ~ +70°C			
(6) Input Power		> 1Watt			



Approval	Supervisor	Designer	Aperture size
C.Y.Chang	C.K.Chang	M.Y.Kang	7H3S(4*7.5)(7.60) 7H046LB4.5 聚 2

Performance-TT63838A-680.5M

201811023CD



CH1 MARKER LIST

1:	680.500MHz	-20.386	dB
2:	699.250MHz	-14.674	dB
3:	660.900MHz	-5.881	dB
4:	580.500MHz	0.063	dB
5:	780.500MHz	0.093	dB

CH2 MARKER LIST

1:	680.500MHz	-1.312	dB
2:	699.250MHz	-4.317	dB
3:	660.900MHz	-4.354	dB
4:	580.500MHz	-7.295	dB
5:	780.500MHz	-7.178	dB